

This document is the property of Amphenol Corporation and is delivered on the express condition that it is not to be disclosed, reproduced or used, in whole or in part, for manufacture or sale by anyone other than Amphenol Corporation without its prior consent, and that no right is granted to disclose or to use any information in this document.

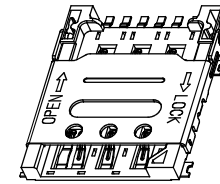
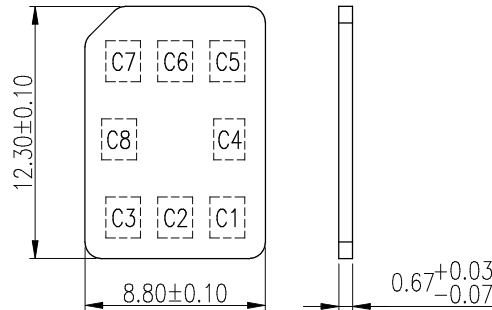
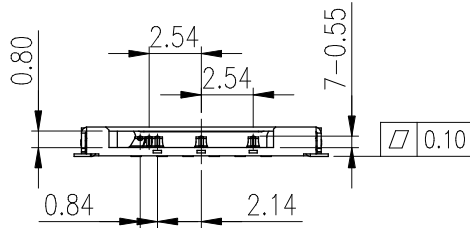
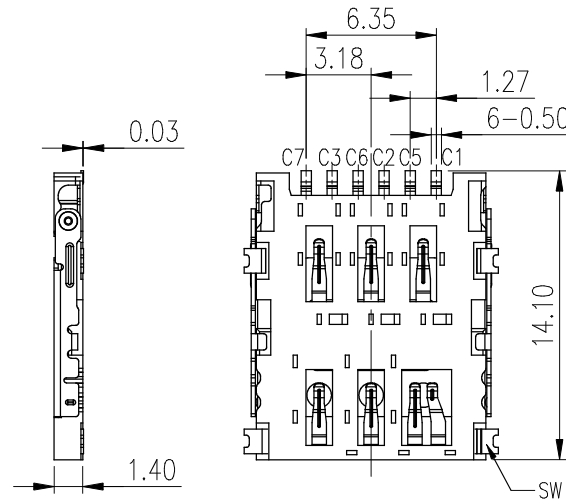
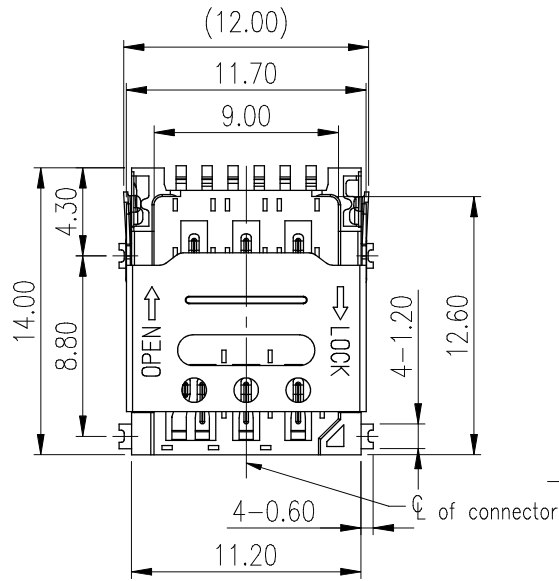
The marking on this product doesn't contain environmental hazardous materials per Material Specification SS-00259 for Sony GP compliant or per directive 2011/65/EU for RoHS compliant.

FOR REFERENCE ONLY

REVISIONS				
SYM	ECN No.	DESCRIPTION	DATE	APPROVED
AX1	EDSR#8440	NON-RELEASE REVISION	04/27/2018	Roger Tsai

NOTES:

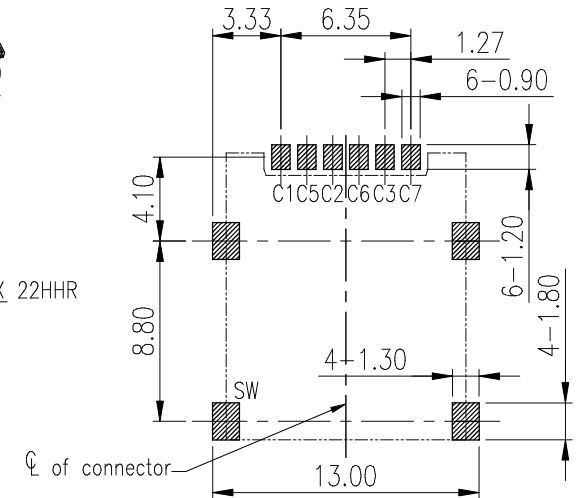
- MATERIAL:
 - HOUSING: HIGH TEMPERATURE THERMAL PLASTIC LCP, UL94V-0, COLOR: BLACK.
 - TERMINAL: COPPER ALLOY.
 - HOLDER: COPPER ALLOY.
 - SHELL: STAINLESS STEEL.
- FINISH:
 - TERMINAL:
 - CONTACT AREA: SELECTIVE PLATING THICKNESS MIN.;
 - SOLDERING AREA: GOLD FLASH PLATING THICKNESS MIN.;
 - UNDER PLATING: NICKEL PLATING 50u" THICKNESS MIN. OVERALL.
 - SWITCH PIN:
 - CONTACT AREA: GOLD FLASH PLATING ON CONTACT AREA;
 - SOLDERING AREA: GOLD FLASH PLATING ON SOLDER AREA;
 - UNDER PLATING: NICKEL PLATING 50u" THICKNESS MIN. OVERALL.
- THIS PRODUCT IS HALOGEN-FREE PRODUCT.



PART NO. G85D1160 X 22HHR

CONTACT FINISH

- 0: Gold flash
- 1: 15u" Gold
- 2: 30u" Gold



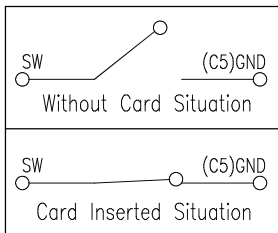
RECOMMEND PC BOARD LAYOUT
TOLERANCE: ±0.05mm

NANO SIM CARD

Use to Actual card(nanoSIM CARD);
not cut from microSIM or miniSIM
or SIM CARD by manual.

PIN ASSIGNMENT

C1	VCC
C2	RST
C3	CLK
C5	GND
C6	VPP
C7	I/O
SW	CARD DETECT SWITCH



TOLERANCE	APPROVALS	DATE	TITLE		UNIT		SIZE	PART No.	
X. ±0.30	DRAWN Karen Su	04/27/2018	G85D SERIES,NANO SIM CARD		mm	A3	G85D1160X22HHR		
X.X ±0.20									
X.XX ±0.20	CHECKED Aqua Chou	04/27/2018	6 POS., SMT, NORAML OPEN, HINGE TYPE		SCALE NA	SHEET 1 OF 1	G85D1160X22HHR		
X.XXX ±0.10									
ANGULAR ±1°	APPROVED Roger Tsai	04/27/2018							
UNLESS OTHERWISE SPECIFIED	DWG TYPE CUST DWG	PROJECT CODE OTHER					G85D1160X22HHR		REV. AX1

Amphenol®

Amphenol Corporation
Amphenol Taiwan Corporation

