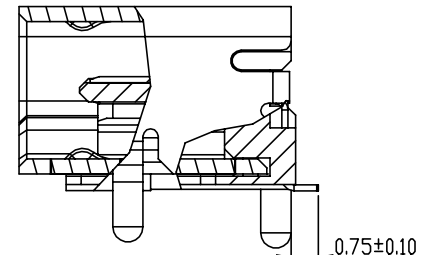
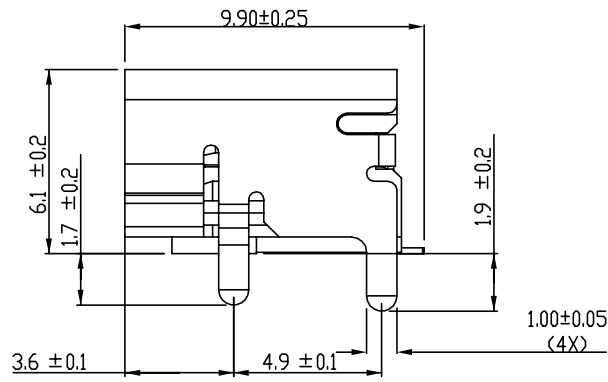
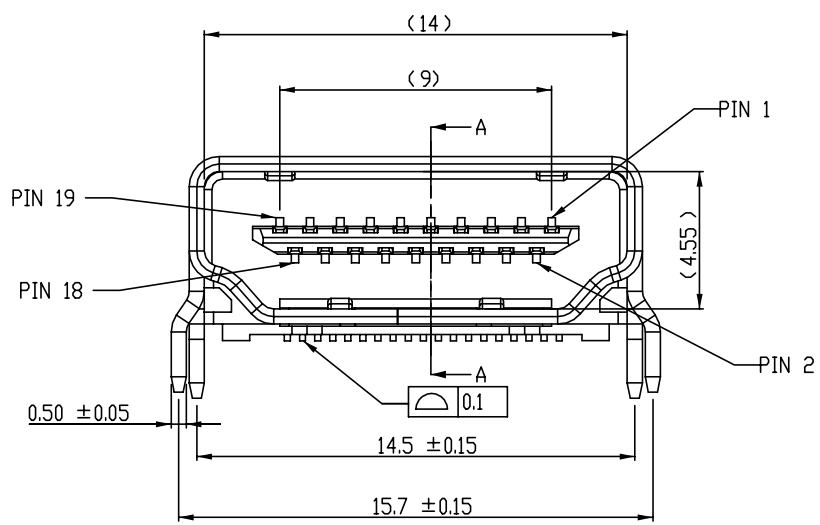
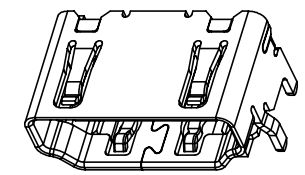
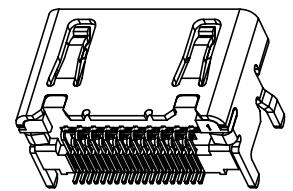
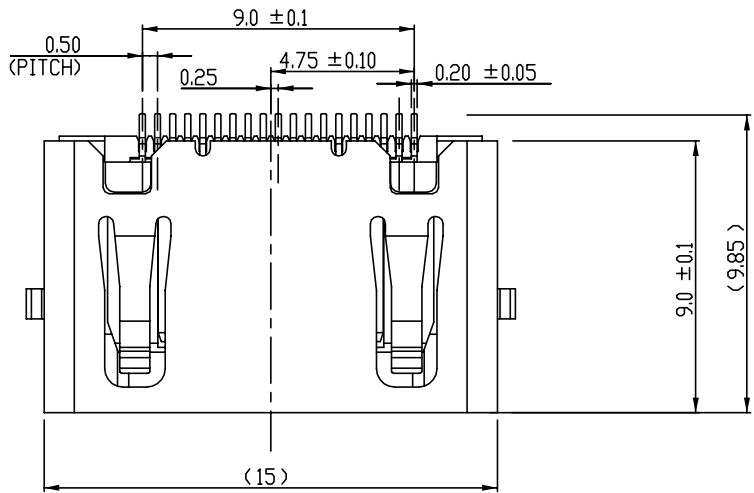


PRODUCT NO.
10029449-X01XLF



SECTION A-A



Copyright FCI.

rev	ecn no	dr	date
M	N09-0307	SH	10/21/09
N	N10-0033	SH	02/01/10
P	N10-0201	KW	2011-02-14
-	-	-	-
-	-	-	-
-	-	-	-
-	-	-	-

www.fciconnect.com		surface 6.4 Iso 1302	tolerance std Iso406 Iso 1101	projection MM
TOLERANCES UNLESS OTHERWISE SPECIFIED		ANGULAR	LINEAR	size A4 Scale 4.000
Dr	LEIF SHEN	10/15/04	0.X ± 0.3	ECN N10-0201
Eng	LEIF SHEN	10/15/04	0.XX ± 0.15	Spec ref *
Chr	PAUL WANG	10/15/04	0.XXX ± 0.05	
Appr	JOSEPH HSIA	10/15/04	Product family HDMI	
FCI		title HDMI TYPE A RECEPTACLE		dwg no 10029449
		catalog no *		Rev. P
		CUSTOMER		sheet 1 of 5

REV F - 2006-04-17

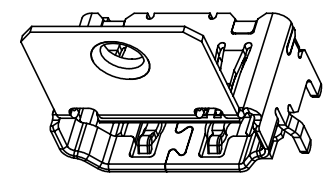
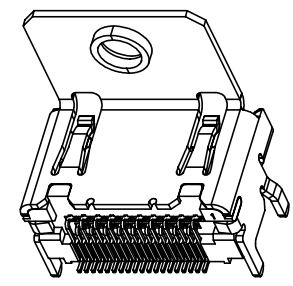
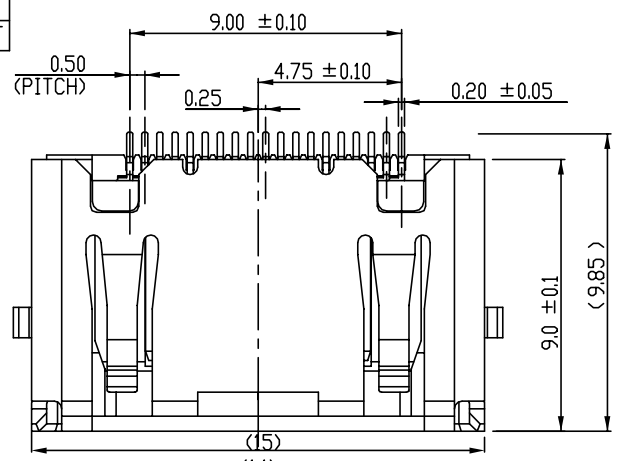
1

2

3

4

PRODUCT NO.
10029449-002XLF



A

A

B

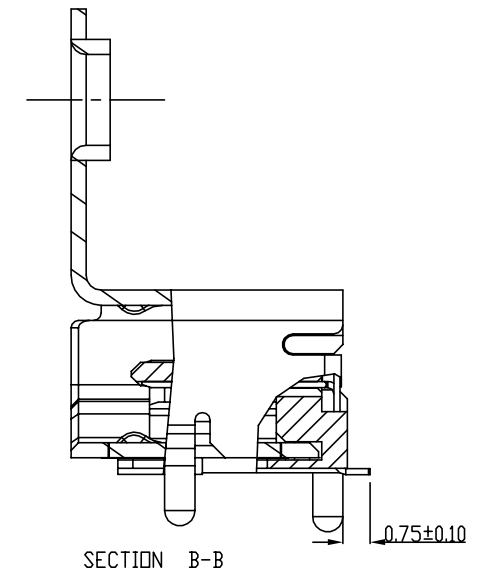
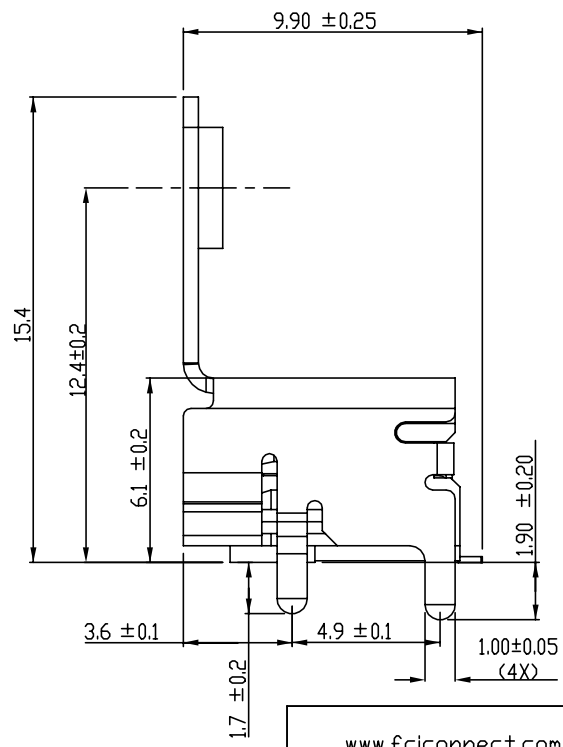
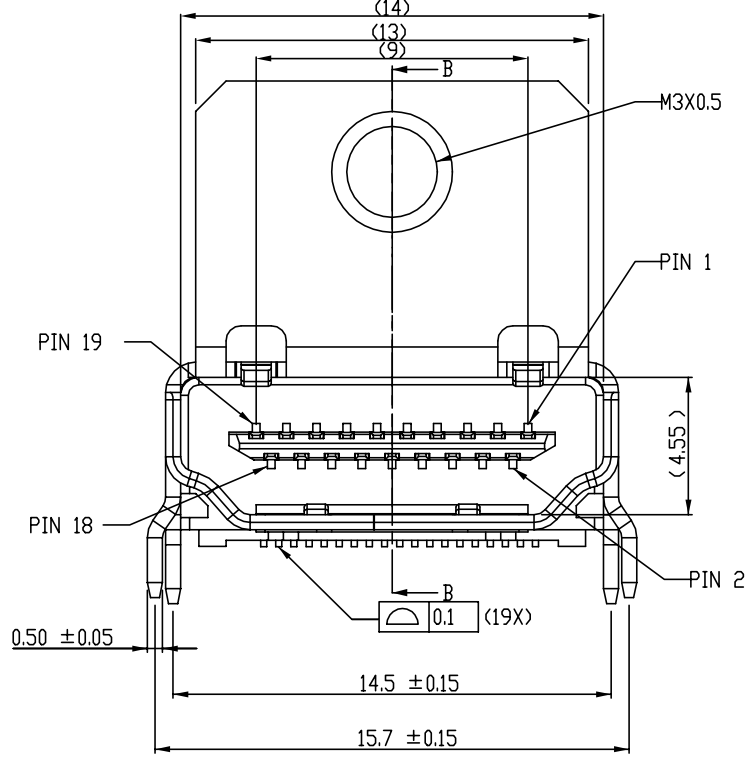
B

C

C

D

D



Copyright FCI.

www.fciconnect.com			surface Iso 1302	6.4 ✓	tolerance std Iso406 Iso 1101	projection ⊕	MM ↔
TOLERANCES UNLESS OTHERWISE SPECIFIED			ANGULAR		LINEAR	size A4	Scale 4.000
Dr	LEIF SHEN	10/15/04	0.X	± 0.3		ECN	N10-0201
Eng	LEIF SHEN	10/15/04	0.XX	± 0.15		Spec ref	*
Chr	PAUL WANG	10/15/04	0.XXX	± 0.05			
Appr	JOSEPH HSIA	10/15/04	Product family		PCMCIA		
title HDMI TYPE A RECEPTACLE		dwg no 10029449		Rev. P			
catalog no		*		CUSTOMER		sheet 2 of 5	

REV F - 2006-04-17

1

2

3 PDM: Rev:P

STATUS Released

4 Printed: Apr 16, 2011

PRODUCT NO.	CONTACT AREA PLATING	SHIELD FIGURE	PACKING
10029449-001TLF	30u" Au MINIMUM	WITHOUT FLANGE	TRAY
10029449-001RLF	30u" Au MINIMUM	WITHOUT FLANGE	TAPE AND REEL
10029449-101TLF	GOLD FLASH	WITHOUT FLANGE	TRAY
10029449-101RLF	GOLD FLASH	WITHOUT FLANGE	TAPE AND REEL
10029449-002TLF	30u" Au MINIMUM	WITH FLANGE	TRAY
10029449-002RLF	30u" Au MINIMUM	WITH FLANGE	TAPE AND REEL
10029449-002FLF	GOLD FLASH	WITH FLANGE	TAPE AND REEL

A

B

C

D

NOTES:

1. MATERIAL

- 1-1 HOUSING: GLASS FIBER HIGH-TEMP. RESIN.(UL94V-0)
- 1-2 CONTACT: BRASS
- 1-3 SHELL : STEEL

2. FINISH

- 2-1 CONTACT : Ni UNDER PLATED ALL OVER 50u" MIN
CONTACT AREA SEE TABLE
- 2-2 SHELL : Ni 100u" MIN.

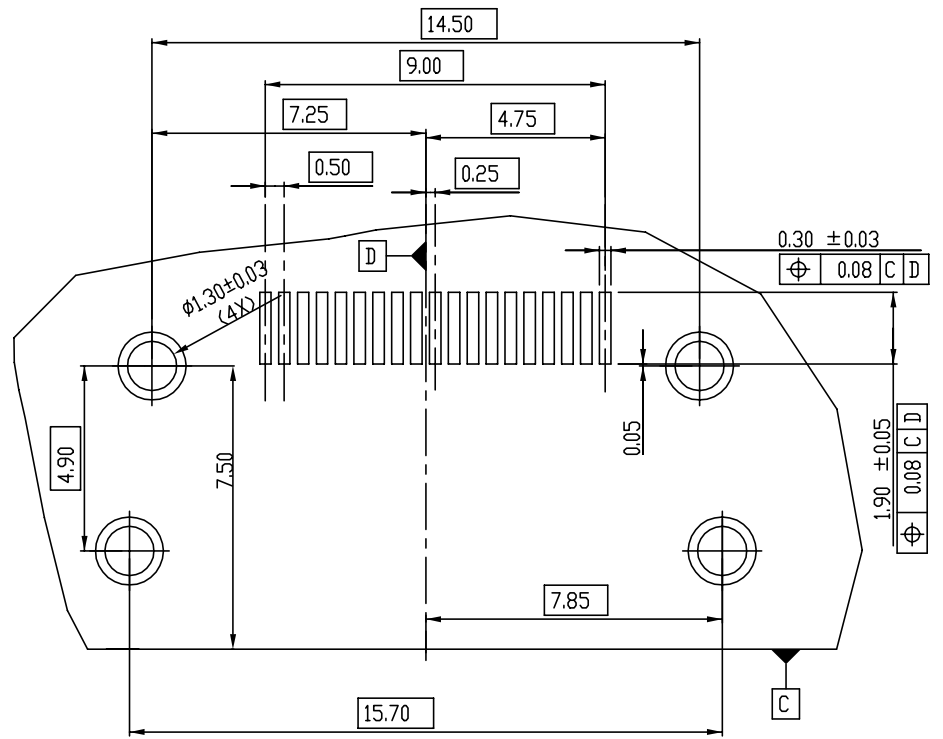
3. PACKAGING:

PACKAGING SPECIFICATION GS-14-939.

4. RoHS STANDARD SPECIFICATION ACCORDING TO FCI GS-22-008.

5. PARTS MEET REFLOW APPLICATION PEAK TEM. 260 DEGREE C, 10 SECONDS MAX.

6. PRODUCT SPECIFICATION: GS-12-309



RECOMMENDED PCB PATTERN LAYOUT
(t=1.6mm)



Copyright FCI.

www.fciconnect.com		surface 6.4 Iso 1302	tolerance std Iso406 Iso 1101	projection MM
		TOLERANCES UNLESS OTHERWISE SPECIFIED		
Dr	LEIF SHEN	10/15/04	ANGULAR	size A4
Eng	LEIF SHEN	10/15/04	LINEAR	Scale 5.000
Chr	PAUL WANG	10/15/04	0° ±2°	ECN N10-0201
Appr	JOSEPH HSIA	10/15/04	Product family PCMCIA	Spec ref *
		title HDMI TYPE A RECEPTACLE		dwg no 10029449
		catalog no *		Rev. P
		CUSTOMER		sheet 3 of 5

REV F - 2006-04-17

1

2

3 PDM: Rev:P

STATUS Released

4 Printed: Apr 16, 2011

1

2

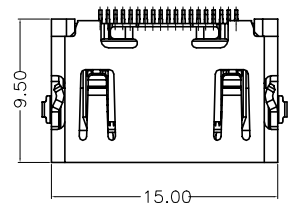
3

4

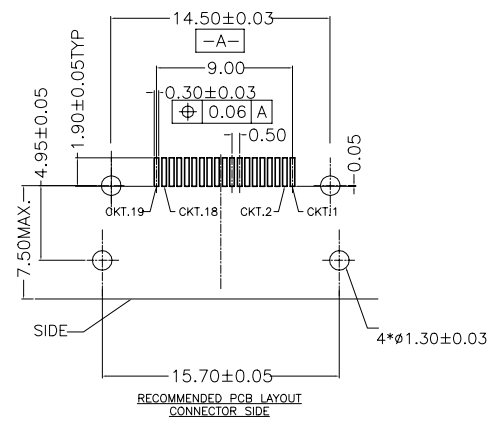
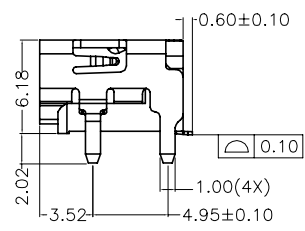
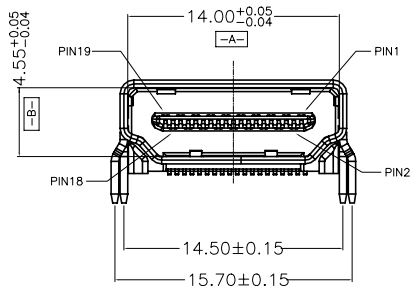
PRODUCT NO.	CONTACT AREA PLATING	SHIELD FIGURE	PACKING
10029449-111RLF	GOLD FLASH	WITHOUT FLANGE	TAPE AND REEL

NOTE:
 1.MATERIAL:
 HOUSING: HIGH TEMP.THERMOPLASTIC, UL 94V-0
 COLOR: BLACK.
 CONTACT: PHOSPHOR BRONZE
 SHIELD: BRASS
 2.FINISH:
 CONTACT: SEE THE TABLE
 SHIELD: Ni 50u" MIN.
 3.TERMINAL RETENTION FORCE TO BE 0.3kgf MIN.

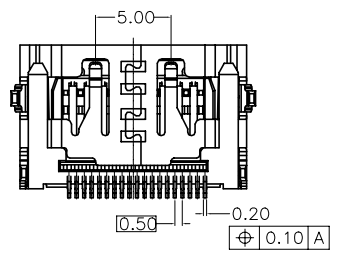
A



B



C



D



Copyright FCI.

www.fciconnect.com		surface 6.4/	tolerance std	projection	MM	
		ISO 1302	ISO406 ISO 1101			
		TOLERANCES UNLESS OTHERWISE SPECIFIED				
Dr	LEIF SHEN	10/15/04	ANGULAR	LINEAR	size A4	Scale 2.000
Eng	LEIF SHEN	10/15/04				
Chr	PAUL WANG	10/15/04	0°	±2°	ECN N10-0201	
Appr	JOSEPH HSIA	10/15/04	Product family HDMI			
		title HDMI TYPE A RECEPTACLE		dwg no 10029449		Rev. P
		catalog no *		CUSTOMER		sheet 4 of 5

REV F - 2006-04-17

1

2

3 PDM: Rev:P

STATUS Released

4 Printed: Apr 16, 2011

1

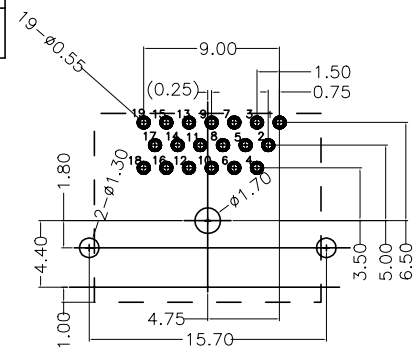
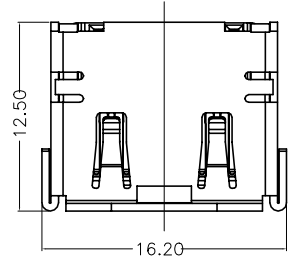
2

3

4

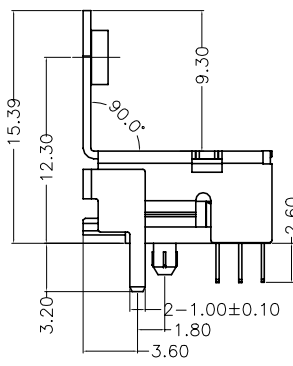
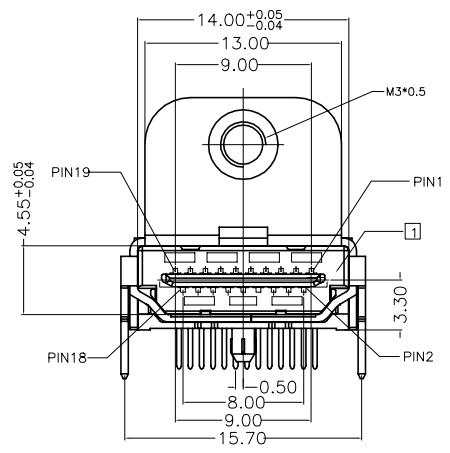
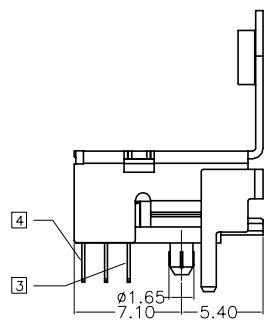
PRODUCT NO.	CONTACT AREA PLATING	SHIELD FIGURE	PACKING
10029449-112TLF	GOLD FLASH	WITH FLANGE	TRAY

A



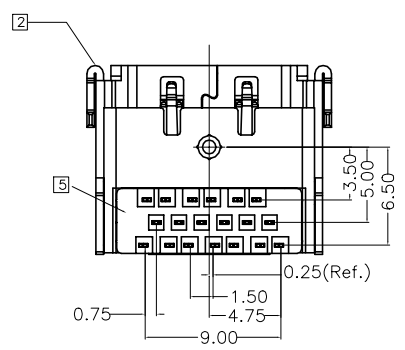
RECOMMENDED PCB LAYOUT(t=1.60±0.15)
COMPONENT SIDE

B



NOTE:
 1.MECHANICAL CHARACTERISTICS
 INSERTION FORCE: 44.1N MAX
 WITHDRAWAL FORCE: 9.8N MIN, 39.2N MAX
 MATING CYCLE:10000 CYCLES
 CONTACT PULL OUT FORCE: 1.96N/PIN MIN
 2.ELECTRICAL CHARACTERISTICS
 RATING CURRENT: 0.5A
 RATING VOLTAGE: 40V
 CONTACT RESISTANCE: 10 MILLOHMS OHMS MAX
 (EXCLUDING CONDUCTOR RESISTANCE)
 INSULATION RESISTANCE:
 a, UNMATED: 100M OHMS MIN AT 500 VDC
 b, MATED: 10M OHMS MIN AT 150 VDC
 DIELECTRIC WITHSTANDING VOLTAGE: 300V AC/1MINUTE
 OPERATING TEMPERATURE: -20°C--+85°C
 STORAGE TEMPERATURE: -20°C--+65°C

C



Copyright FCI.

D

www.fciconnect.com		surface 6.4 Iso 1302	tolerance std Iso406 Iso 1101	projection MM	
		TOLERANCES UNLESS OTHERWISE SPECIFIED			
Dr	LEIF SHEN	10/15/04	ANGULAR	0.X ± 0.3	size A4
Eng	LEIF SHEN	10/15/04	LINEAR	0.XX ± 0.15	Scale 2.000
Chr	PAUL WANG	10/15/04	0° ±2°	0.XXX ± 0.05	ECN N10-0201
Appr	JOSEPH HSIA	10/15/04	Product family	PCMCIA	Spec ref *
FCI		title HDMI TYPE A RECEPTACLE		dwg no 10029449	
		HDMI		Rev. P	
		catalog no *		CUSTOMER sheet 5 of 5	

REV F - 2006-04-17

1

2

3 PDM: Rev:P

STATUS Released

4 Printed: Apr 16, 2011