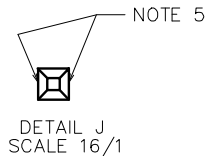
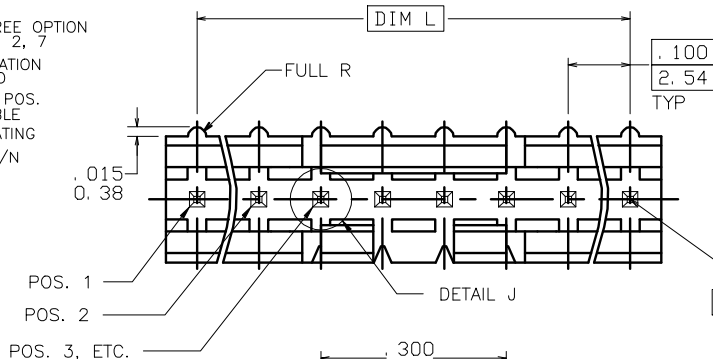
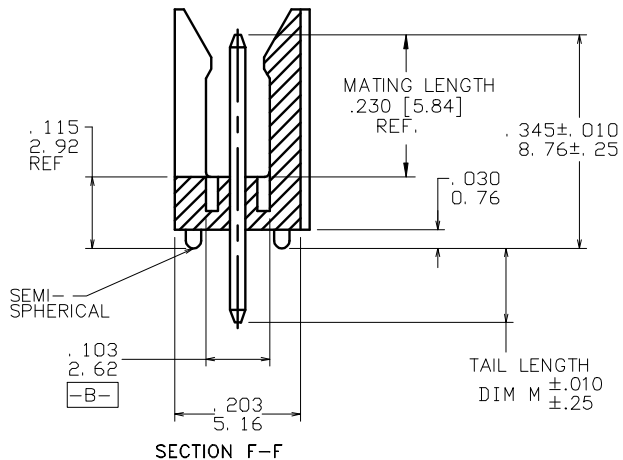
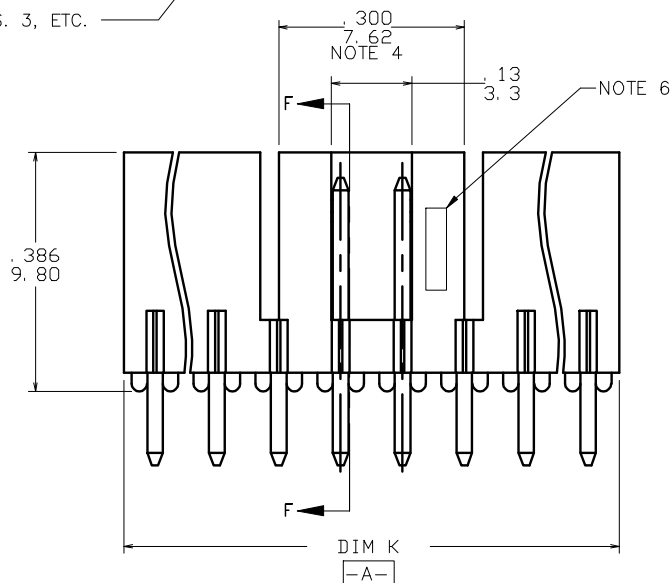


PRODUCT NUMBER
69167-XXXXXHLF

- LEAD FREE OPTION
NOTE 1, 2, 7
- POLARIZATION
NOTE 10
- NO. OF POS.
SEE TABLE
- PIN PLATING
- BASE P/N



.025/.64 □ PIN
 .020/.51 (M) A (S) B (S)
 AT TIP BOTH ENDS



mat'l. code				surface ISO 1302	tolerance ISO 406 ISO 1101	projection ISO 1301	product family HEADER
ltr	ecn no	dr	date	tolerances unless otherwise specified		INCH/MM	title FRICTION LATCH HEADER SINGLE ROW VERTICAL
K	V71183	HTB	9/8/97	angles	.XX±.01/XX±0.3		
L	V71470	HTB	10/9/97	linear	.XXX±.006/XXX±0.13	scale 4:1	dwg no 69167 sheet 1 of 3 size A3
M	V03-0352	GIP	03/25/03	0'±2'	XXXX±.0020/XXX±0.05	type Product Customer Drawing	
N	M05-0134	MHT	6/17/05	dr	M.CLOUSER	11/27/90	FCJ
P	M05-0176	ERE	08/05/05	engr	C.TREXTLER	11/27/90	
R	M06-0258	MHT	9/07/06	chr	C.TREXTLER	11/27/90	
S	M08-0291	MHT	10/06/08	appd	C.TREXTLER	11/27/90	
sheet	revision	S	S	S			
index	sheet	1	2	3			

PRODUCT NUMBER	NO OF POS	DIM K	DIM L	TAIL LENGTH DIM M
69167-X03	1 X 3	.300/7.62	.200/5.08	.120/3.05
69167-X04	1 X 4	.400/10.16	.300/7.62	.120/3.05
69167-X05	1 X 5	.500/12.70	.400/10.16	.120/3.05
69167-X06	1 X 6	.600/15.24	.500/12.70	.120/3.05
69167-X07	1 X 7	.700/17.78	.600/15.24	.120/3.05
69167-X08	1 X 8	.800/20.32	.700/17.78	.120/3.05
69167-X09	1 X 9	.900/22.86	.800/20.32	.120/3.05
69167-X10	1 X 10	1.000/25.40	.900/22.86	.120/3.05
69167-X11	1 X 11	1.100/27.94	1.000/25.40	.120/3.05
69167-X12	1 X 12	1.200/30.48	1.100/27.94	.120/3.05
69167-X13	1 X 13	1.300/33.02	1.200/30.48	.120/3.05
69167-X14	1 X 14	1.400/35.56	1.300/33.02	.120/3.05
69167-X15	1 X 15	1.500/38.10	1.400/35.56	.120/3.05
69167-X16	1 X 16	U N A	V A I L A B L E	
69167-X17	1 X 17	U N A	V A I L A B L E	
69167-X18	1 X 18	U N A	V A I L A B L E	
69167-X19	1 X 19	U N A	V A I L A B L E	
69167-X20	1 X 20	U N A	V A I L A B L E	
69167-X21	1 X 21	U N A	V A I L A B L E	
69167-X22	1 X 22	U N A	V A I L A B L E	
69167-X23	1 X 23	U N A	V A I L A B L E	
69167-X24	1 X 24	U N A	V A I L A B L E	
69167-X25	1 X 25	U N A	V A I L A B L E	
69167-X26	1 X 26	U N A	V A I L A B L E	
69167-X27	1 X 27	U N A	V A I L A B L E	
69167-X28	1 X 28	U N A	V A I L A B L E	
69167-X29	1 X 29	U N A	V A I L A B L E	
69167-X30	1 X 30	U N A	V A I L A B L E	
69167-X31	1 X 31	U N A	V A I L A B L E	
69167-X32	1 X 32	U N A	V A I L A B L E	
69167-X33	1 X 33	U N A	V A I L A B L E	
69167-X34	1 X 34	U N A	V A I L A B L E	
69167-X35	1 X 35	U N A	V A I L A B L E	
69167-X36	1 X 36	U N A	V A I L A B L E	

PIN PLATING CODES	
XXXX-1YY	30u"/0.76u MIN (SEE NOTE 8) OVER 50u"/1.27u MIN Ni
XXXX-2YY	15u"/0.38u MIN (SEE NOTE 8) OVER 50u"/1.27u MIN Ni
XXXX-3YY	50u"/1.27u MIN Au OVER 50u"/1.27u MIN Ni
XXXX-4YY	
XXXX-4YHLF	100u"/2.54u MIN Sn OVER 50u"/1.27u MIN Ni (SEE NOTE 9)
XXXX-5YY	15u"/0.38u MIN (SEE NOTE 8) OVER 50u"/1.27u MIN Ni
XXXX-6YY	30u"/0.76u MIN (SEE NOTE 8) OVER 50u"/1.27u MIN Ni
XXXX-7YY	30u"/0.76u MIN Au OVER 50u"/1.27u MIN Ni
XXXX-8YY	15u"/0.38u MIN Au OVER 50u"/1.27u MIN Ni

- NOTES:
- PART NUMBER OPTIONS:
PIN PLATING CODES (SEE ABOVE)
LEAD FREE:
ADD "HLF" AT THE END OF PART NUMBER FOR LEAD FREE OPTION, NOT AVAILABLE FOR -5YY, -5YYH, -6YY, -6YYH.
 - BODY MATERIAL:
GLASS REINFORCED PCT COLOR: BLACK
FLAME RETARDANT PER UL 94 V-0
MAXIMUM OPERATING TEMPERATURE: 130° C
OR
MINERAL FILLED LCP, COLOR BLACK
FLAME RETARDANT PER UL 94 V-0

PART NUMBERS WITH "H" SUFFIX WILL WITHSTAND EXPOSURE TO 260°C PEAK TEMPERATURE FOR 20 SECONDS IN WAVE SOLDER, INFRA-RED OR VAPOR PHASE SOLDER PROCESS.

PART NUMBERS WITHOUT "H" SUFFIX WILL WITHSTAND EXPOSURE TO 260°C PEAK TEMPERATURE FOR WAVE SOLDER PROCESS.
 - PIN MATERIAL: 3/4 HARD PHOS-BRONZE.
 - NO SLOTS ON 1 X 5 POSITION OR SMALLER PRODUCT. THE CENTER KEY SLOT WILL BE ON ALL HEADERS REGARDLESS OF SIZE.
 - TWO NON-CRITICAL SIDES OF PIN TIP NOT PLATED, BOTH ENDS
 - COMPANY LOGO MAY APPEAR IN THIS AREA.
 - THESE PRODUCTS MEET EUROPEAN UNION DIRECTIVES AND OTHER COUNTRY REGULATION AS DESCRIBED IN GS-22-008.
 - PLATING OPTIONS:
MAY BE EITHER GOLD OR GXT PLATED AT MANUFACTURER'S OPTION.
 - "THIS PRODUCT HAS 100% TIN PLATING IN THE INTERFACE AND HAS NOT BEEN TESTED FOR WHISKER GROWTH IN ALL INTERCONNECT ENVIRONMENTS."
 - FOR POLARIZATION, SPECIFY POSITION NUMBER (i.e. A03=ROW A POSITION 03) TO OMIT PIN.
OMIT FROM PRODUCT NUMBER IF THIS FEATURE IS NOT APPLICABLE.
PRODUCT MANAGEMENT APPROVAL REQUIRED PRIOR TO RELEASE OR SALE OF POLARIZED PRODUCT.

FCJ
FCconnect.com
Copyright FCJ

mat'l. code		surface ISO 1902	tolerance ISO 406 ISO 1101	projection	product family HEADER
ltr	ecn no	dr	date	title	
S				FRICION LATCH HEADER SINGLE ROW VERTICAL	
				INCH/MM	scale 4:1
				dwg no 69167	
				sheet 2 of 3 size A3	
				type Product Customer Drawing	
sheet	revision				
index	sheet				

PRODUCT NUMBER	NO OF POS	DIM K	DIM L	TAIL LENGTH DIM M
69167-X43	1 X 3	.300/7.62	.200/5.08	.190/4.83
69167-X44	1 X 4	.400/10.16	.300/7.62	.190/4.83
69167-X45	1 X 5	.500/12.70	.400/10.16	.190/4.83
69167-X46	1 X 6	.600/15.24	.500/12.70	.190/4.83
69167-X47	1 X 7	.700/17.78	.600/15.24	.190/4.83
69167-X48	1 X 8	.800/20.32	.700/17.78	.190/4.83
69167-X49	1 X 9	.900/22.86	.800/20.32	.190/4.83
69167-X50	1 X 10	1.000/25.40	.900/22.86	.190/4.83
69167-X51	1 X 11	1.100/27.94	1.000/25.40	.190/4.83
69167-X52	1 X 12	1.200/30.48	1.100/27.94	.190/4.83
69167-X53	1 X 13	1.300/33.02	1.200/30.48	.190/4.83
69167-X54	1 X 14	1.400/35.56	1.300/33.02	.190/4.83
69167-X55	1 X 15	1.500/38.10	1.400/35.56	.190/4.83
69167-X56	1 X 16	U N A	V A I L A B L E	
69167-X57	1 X 17	U N A	V A I L A B L E	
69167-X58	1 X 18	U N A	V A I L A B L E	
69167-X59	1 X 19	U N A	V A I L A B L E	
69167-X60	1 X 20	U N A	V A I L A B L E	
69167-X61	1 X 21	U N A	V A I L A B L E	
69167-X62	1 X 22	U N A	V A I L A B L E	
69167-X63	1 X 23	U N A	V A I L A B L E	
69167-X64	1 X 24	U N A	V A I L A B L E	
69167-X65	1 X 25	U N A	V A I L A B L E	
69167-X66	1 X 26	U N A	V A I L A B L E	
69167-X67	1 X 27	U N A	V A I L A B L E	
69167-X68	1 X 28	U N A	V A I L A B L E	
69167-X69	1 X 29	U N A	V A I L A B L E	
69167-X70	1 X 30	U N A	V A I L A B L E	
69167-X71	1 X 31	U N A	V A I L A B L E	
69167-X72	1 X 32	U N A	V A I L A B L E	
69167-X73	1 X 33	U N A	V A I L A B L E	
69167-X74	1 X 34	U N A	V A I L A B L E	
69167-X75	1 X 35	U N A	V A I L A B L E	
69167-X76	1 X 36	U N A	V A I L A B L E	



FCconnect.com

Copyright FCJ

mat'l. code		surface	tolerance	projection	product family
ISO 1302		ISO 406	ISO 1101		HEADER
ltr	ecn no	dr	date	title	
S				FRICION LATCH HEADER	
angles		linear	linear	INCH/MM	SINGLE ROW VERTICAL
0° ±2'		.XX±.01/XX±0.3	.XXX±.006/XXX±0.13	scale 4:1	
dr		M.CLOUSER	11/27/90	dwg no	
engr		C.TREXTLER	11/27/90	sheet 3 of 3 size	
chr		C.TREXTLER	11/27/90	69167 A3	
appd		C.TREXTLER	11/27/90	type Product Customer Drawing	
sheet	revision				
index	sheet				

form: A3