

REMARK:
 1. CHARACTERISTICS:
 RATED VOLTAGE: 250V
 RATED CURRENT: 5AMP
 CONTACT RESISTANCE: 25mohms MAX. INITIAL;40mohms MAX. AFTER.
 INSULATION RESISTANCE: 5000Mohms MIN.at 500V DC
 DIELECTRIC STRENGTH: 1000VRMS
 OPERATING TEMPERATURE RANGE: -55°C~105°C
 INSERTION/EXTRACTION FORCE PER CONTACT: 5N Max./0.3N Min.
 MATING/UNMATING CYCLES: 50MATINGS MIN.

2. MATERIAL:
 INSULATORS: GLASS-FILLED THERMOPLASTIC UL94V-0, COLOR IN BLACK.
 CONTACTS: COPPER ALLOY, SELECTIVE GOLD ON CONTACT AREA,
 100u" Min MATTE TIN TOP OVER SOLDER AREA,
 30u" Min NICKEL UNDER PLATE.
 SHELL: STEEL, 100u" Min NICKEL TOP OVER,
 50u" Min COPPER UNDER PLATE.
 BOARD LOCK: COPPER ALLOY, 100u" Min MATTE TIN PLATED.

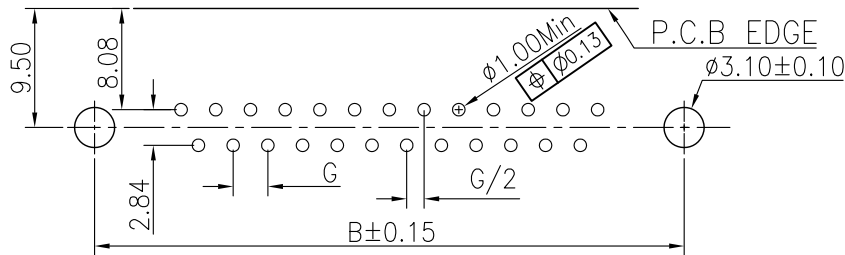
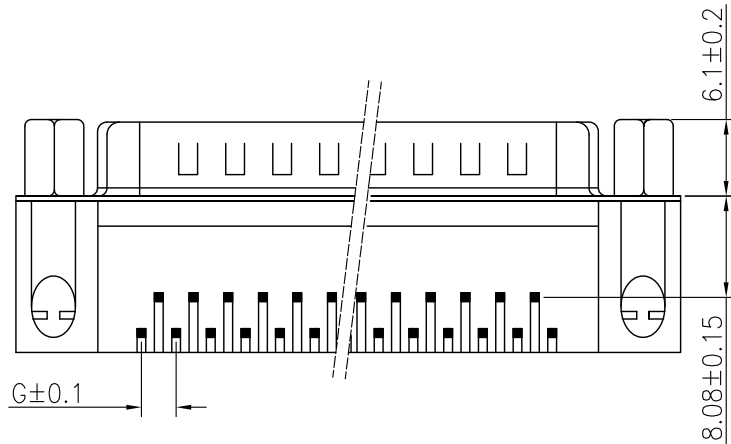
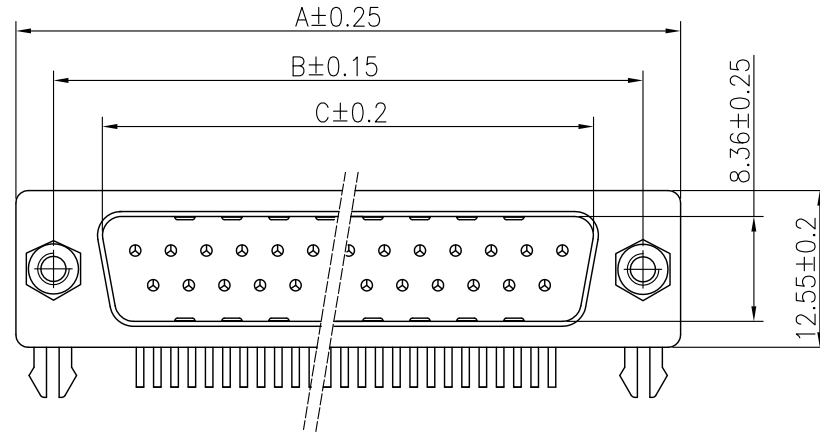
3. PART NUMBER DESCRIPTION: **10090097-P XX X X LF**

SERIES NO. _____ LF: ROHS COMPLIANT
 TYPE _____ FLANGE MOUNTING OPTION
 P: PIN (MALE) X: UNC #4-40 CLINCHNUTS
 L: M3 CLINCHNUTS
 NUMBER OF CONTACTS _____ CONTACT FINISH
 09: 9-PIN 4: GOLD FLASH
 15: 15-PIN 6: 30u" PLATING OPTION
 25: 25-PIN AVAILABLE ON REQUEST
 37: 37-PIN

POS.	PART NO.	THREAD TYPE
09P	10090097-P09*LLF	M3X0.5
15P	10090097-P15*LLF	M3X0.5
25P	10090097-P25*LLF	M3X0.5
37P	10090097-P37*LLF	M3X0.5
09P	10090097-P09*XLF	UNC 4-40
15P	10090097-P15*XLF	UNC 4-40
25P	10090097-P25*XLF	UNC 4-40
37P	10090097-P37*XLF	UNC 4-40

POS.	A	B	C	G	H
09P	30.81	24.99	16.92	2.74	5.90 ^{+0.15} ₀
15P	39.24	33.32	25.25	2.74	5.90 ^{+0.15} ₀
25P	53.04	47.04	38.96	2.77	5.70 ^{+0.25} ₀
37P	69.32	63.50	55.42	2.77	5.70 ^{+0.25} ₀

mat'l. code				tolerances unless otherwise specified		CUSTOMER COPY		FCI	
ltr	ecn no	dr	date	linear	.X ± 0.38	projection	www.fciconnect.com		
A	T09-1033	J.H	3/13/09		.XX ± 0.25		title		
B	T09-1044	J.H	4/2/09	angles	.XXX ± 0.10		D-SUB MALE RIGHT-ANGLE US STYLE		
					0° ± 2°		product family		code
				dr	JASON HSU 3/12/09		D-SUB		TWN
				enr	JASON HSU 3/12/09		size		sheet
				chr	GARY HSIEH 3/12/09		dwg no		1 of 2
				appd	JOSEPH HSIA 3/12/09	scale	10090097		
sheet index	revision sheet	B	B			1:1			
		1	2						



P.C.B LAYOUT
t: 1.6±0.1mm

REMARK:

1. CHARACTERISTICS:

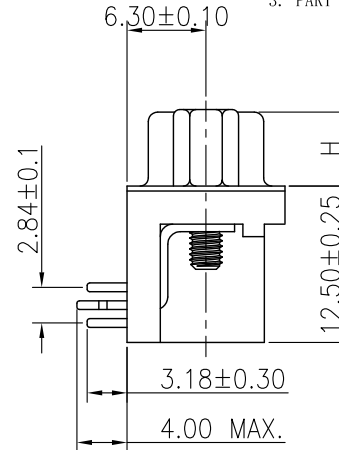
RATED VOLTAGE: 250V
 RATED CURRENT: 5AMP
 CONTACT RESISTANCE: 25mohms MAX. INITIAL; 40mohms MAX. AFTER.
 INSULATION RESISTANCE: 5000Mohms MIN.at 500V DC
 DIELECTRIC STRENGTH: 1000VRMS
 OPERATING TEMPERATURE RANGE: -55°C~105°C
 INSERTION/EXTRACTION FORCE PER CONTACT: 5N Max./0.3N Min.
 MATING/UNMATING CYCLES: 50MATINGS MIN.

2. MATERIAL:

INSULATORS: GLASS-FILLED THERMOPLASTIC UL94V-0, COLOR IN BLACK.
 CONTACTS: COPPER ALLOY, SELECTIVE GOLD ON CONTACT AREA,
 100u" Min MATTE TIN TOP OVER SOLDER AREA,
 30u" Min NICKEL UNDER PLATE.
 SHELL: STEEL, 100u" Min NICKEL TOP OVER,
 50u" Min COPPER UNDER PLATE.
 BOARD LOCK: COPPER ALLOY, 100u" Min MATTE TIN PLATED.
 SCREW LOCK: COPPER ALLOY, 100u" Min BRIGHT NICKEL PLATED.

3. PART NUMBER DESCRIPTION: **10090097-P XX X X LF**

SERIES NO. _____ LF: ROHS COMPLIANT
 TYPE _____ FLANGE MOUNTING OPTION
 P: PIN (MALE) V: UNC #4-40 SCREWLOCKS
 NUMBER OF CONTACTS _____ CONTACT FINISH
 09: 9-PIN
 15: 15-PIN
 25: 25-PIN
 37: 37-PIN
 4: FLASH GOLD
 6: 30u" PLATING OPTION AVAILABLE ON REQUEST



POS.	PART NO.	A	B	C	G	H
09P	10090097-P09*VLF	30.81	24.99	16.92	2.74	5.90 ^{+0.15} ₀
15P	10090097-P15*VLF	39.24	33.32	25.25	2.74	5.90 ^{+0.15} ₀
25P	10090097-P25*VLF	53.04	47.04	38.96	2.77	5.70 ^{+0.25} ₀
37P	10090097-P37*VLF	69.32	63.50	55.42	2.77	5.70 ^{+0.25} ₀

mat'l. code				tolerances unless otherwise specified			CUSTOMER COPY		FCI www.fciconnect.com	
ltr	ecn no	dr	date	linear	.X ± 0.38	projection	title D-SUB MALE RIGHT-ANGLE US STYLE			
B					.XX ± 0.25		product family D-SUB code TWN			
				angles	.XXX ± 0.10					
					0° ± 2°	MM	size dwg no 10090097 sheet 2 of 2			
				dr	JASON HSU 3/12/09	scale	A4 1:1			
				enr	JASON HSU 3/12/09					
				chr	GARY HSIEH 3/12/09					
				appd	JOSEPH HSIA 3/12/09					
sheet index	revision sheet									