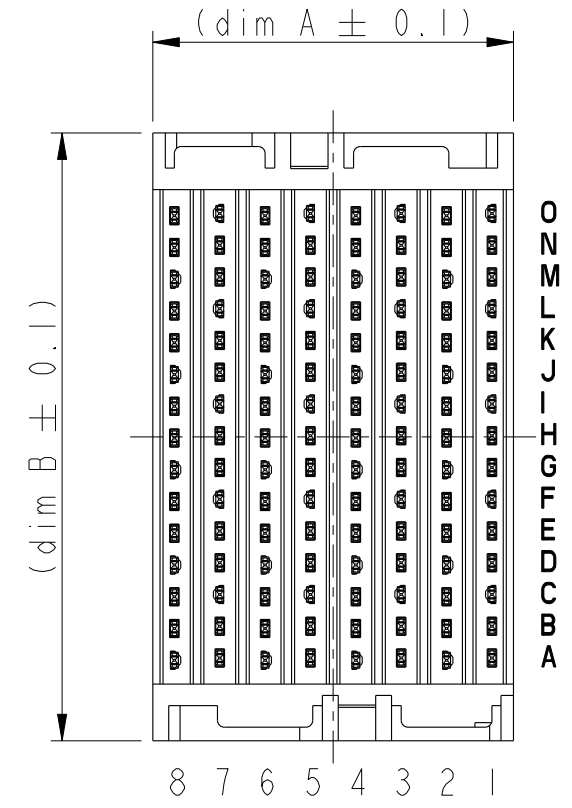
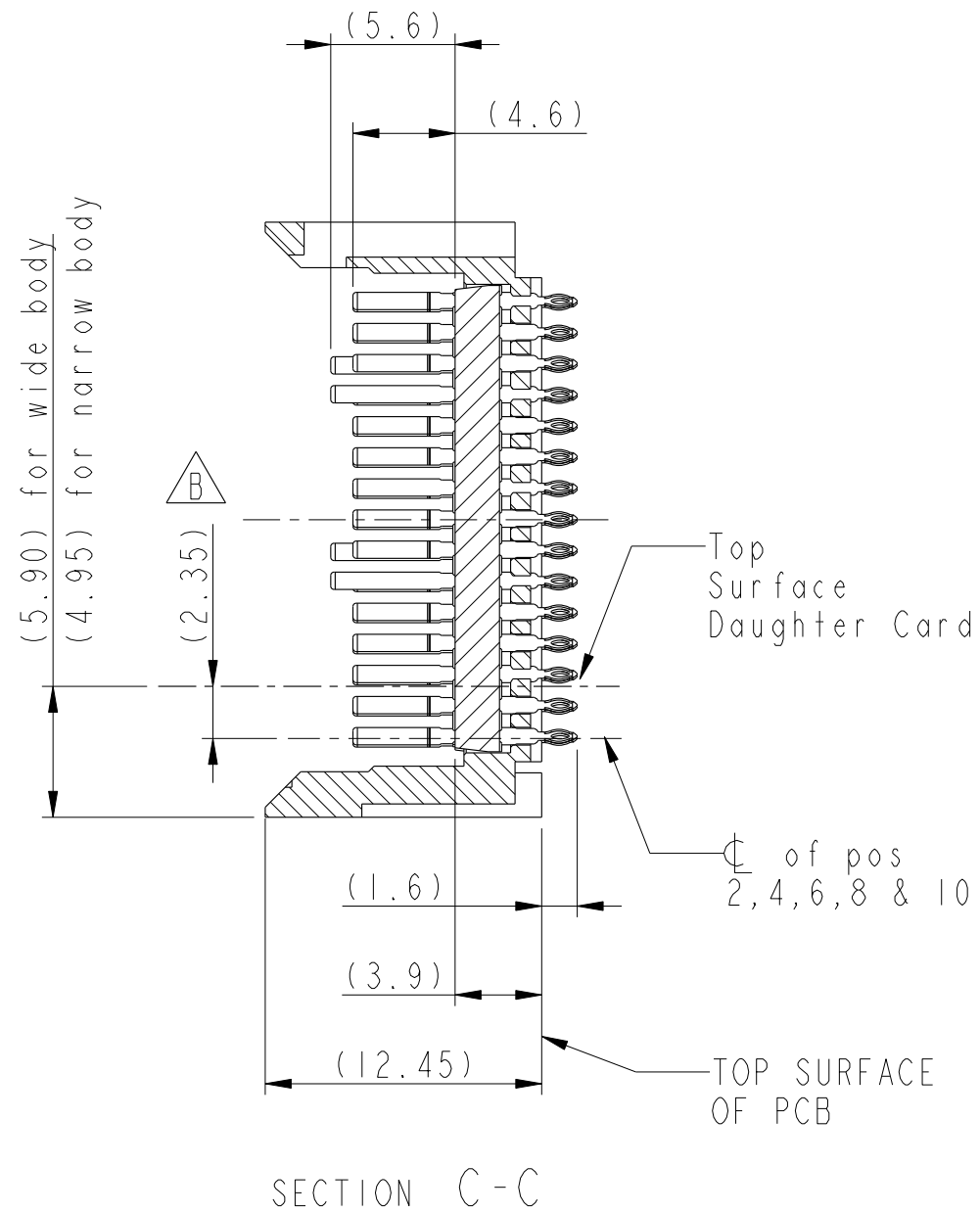


VIEWS WITHOUT PROTECTION COVER



For housing types and dim A and B see sheet 4

Part number:
10055140-1YZABCILF

- X = PLATING
I=TELCORDIA CO (see note sheet 5)
- YZ = HOUSING TYPE
01 = 2 wall narrow body
04 = 4 wall narrow body
05 = 2 wall wide body (STANDARD VERSION)
08 = 4 wall wide body

- ABC = PIN LAYOUT
001 = standard layout (no detect pin)
xxx = other versions see sheet 2

- LF = Lead Free
LF = Lead free product (see note 8 sheet 5)
no suffix = Non lead free: available upon special request

2 WALL WIDE BODY VERSION AS SHOWN

spec ref	RELEASE	dr	Matthew Cheong	2007/04/25	projection	mm	size	A3	scale	2:1	
tolerance std	TOLERANCES UNLESS OTHERWISE SPECIFIED	eng	Roger Ng	2013/01/28			ecn no	ELX-S-13944-1	rel level	Released	
ISO 406		chr	-	-							
ISO 1101		appr	Chen-Hong Tan	2013-01-30							product family
surface	linear	0.X	±		AirMax VS VERTICAL HEADER 5 pair, 120 pos, 2mm, 8 IMLA	dwg no 10055140	rev B	Product - Customer Drw			
ISO 1302	angular	0°	±°					cat. no.	-	sheet 1 of 5	

Copyright FCI.

A

A

* Detection pin of 3.9mm possible on standard positions H5.
 For other detection pin and options please consult FCI.

B

B

Partnumber \ Pin layout	5.6mm Longpins (typ gnd)	3.9mm * Short pin (typ detect)	4.6mm Otherpins (typ sign)
10055140-IYZ0011(LF)	L1, M2, L3, M4, L5, M6, L7, M8 F1, G2, F3, G4, F5, G6, F7, G8	-	all other positions
10055140-IYZ0031(LF)	L1, M2, L3, M4, L5, M6, L7, M8 F1, G2, F3, G4, F5, G6, F7, G8	H5	all other positions

C

C

D

D

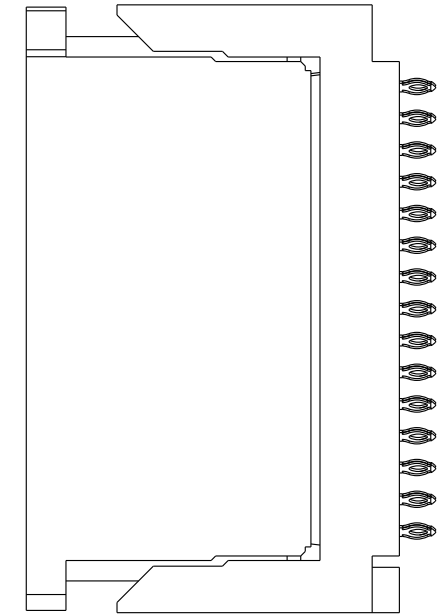
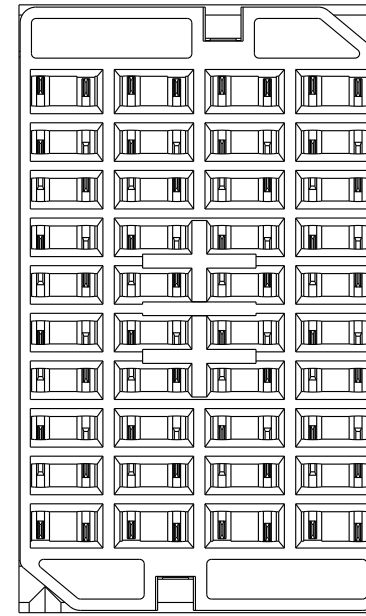
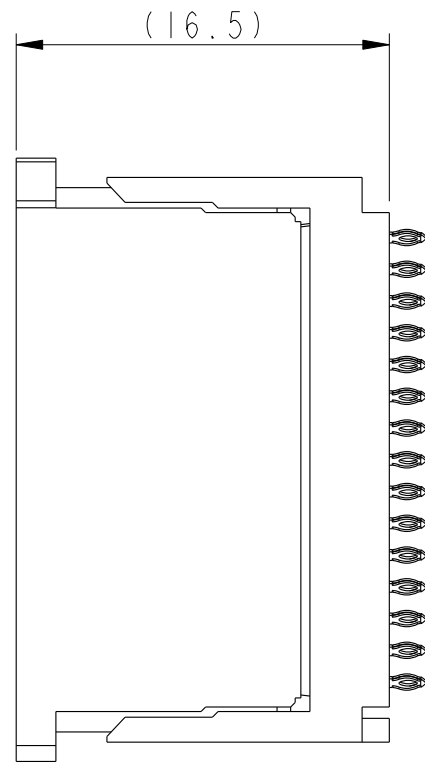
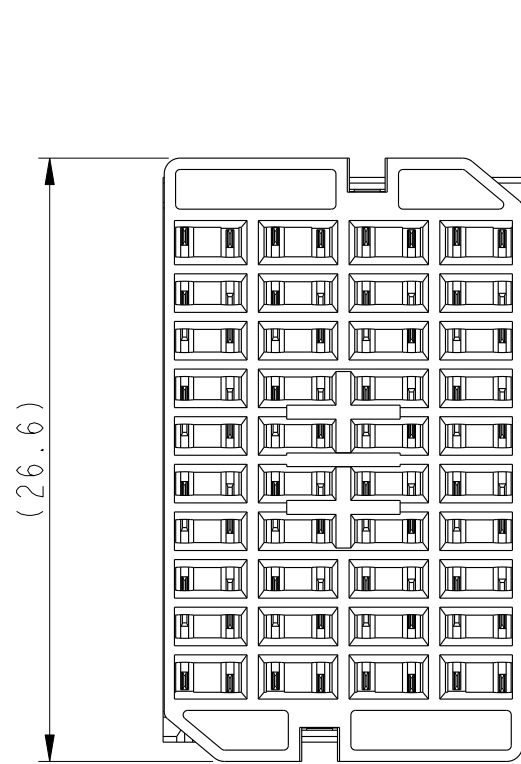


Copyright FCI.

spec ref	RELEASE	dr	Matthew Cheong	2007/04/25	projection	mm	size	A3	scale	2:1
tolerance std	TOLERANCES UNLESS OTHERWISE SPECIFIED	eng	Roger Ng	2013/01/28		←→	ecn no	ELX-S-13944-1		
ISO 406		chr	-	-			rel level	Released		
ISO 1101		appr	Chen-Hong Tan	2013-01-30	product family	AirMax VS				
surface	linear	0.X	±		title	AirMax VS VERTICAL HEADER	dwg no	10055140	rev	B
ISO 1302										

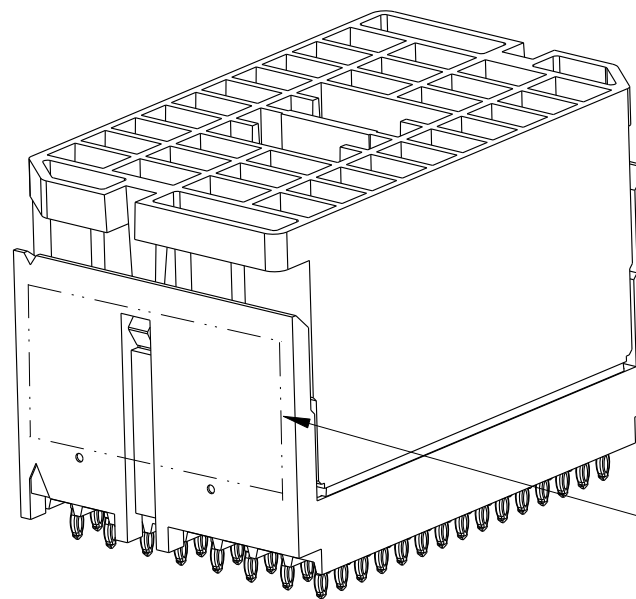
NARROW BODY

WIDE BODY

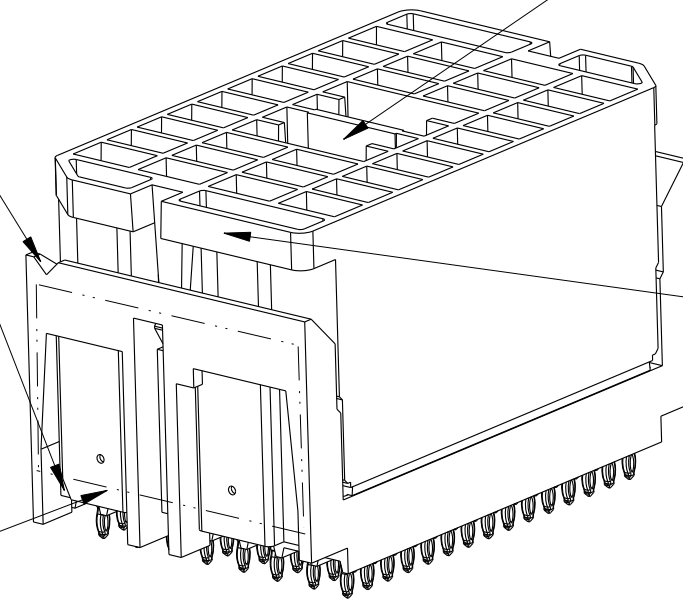


Triangle indicates position A1.
SEE NOTE 12

SEE NOTE 14



CUT-OUT SIDE AT
OPPOSITE SIDE OF
A1 INDICATOR.



SEE NOTE 13

NOTE 5 & 12.

spec ref	RELEASE				dr	Matthew Cheong	2007/04/25	projection		size	A3	scale	2:1
tolerance std	TOLERANCES UNLESS OTHERWISE SPECIFIED				eng	Roger Ng	2013/01/28		mm	ecn no		ELX-S-13944-1	
ISO 406					chr	-	-			rel level		Released	
ISO 1101					appr	Chen-Hong Tan	2013-01-30	product family	AirMax VS				
surface		linear	0.X	±		title		AirMax VS VERTICAL HEADER		dwg no 10055140	rev		B
			0.XX	±		5 pair, 120 pos, 2mm, 8 IMLA							
			0.XXX	±									
ISO 1302		angular	0°	±°	www.fci.com	cat. no.	-	Product - Customer Drw		sheet 3 of 5			



Copyright FCI.

1

2

3

4

NARROW BODY

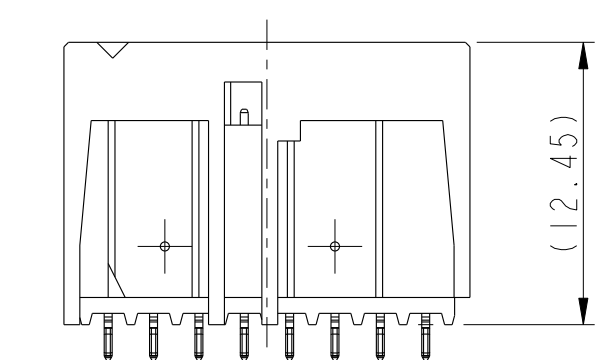
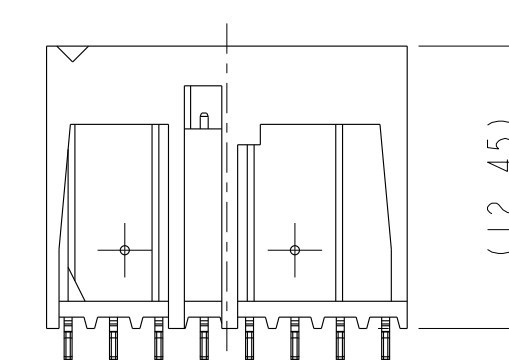
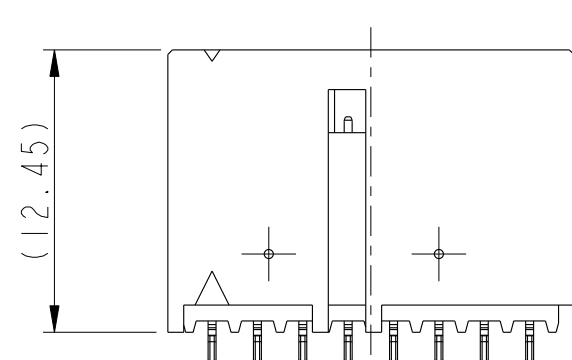
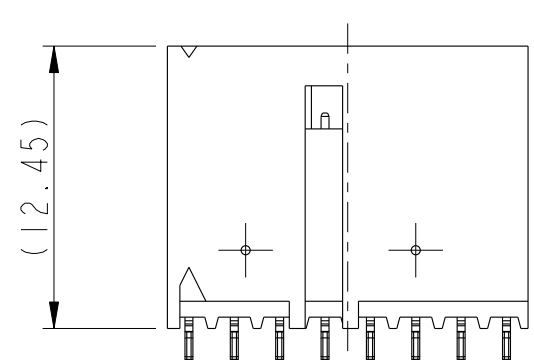
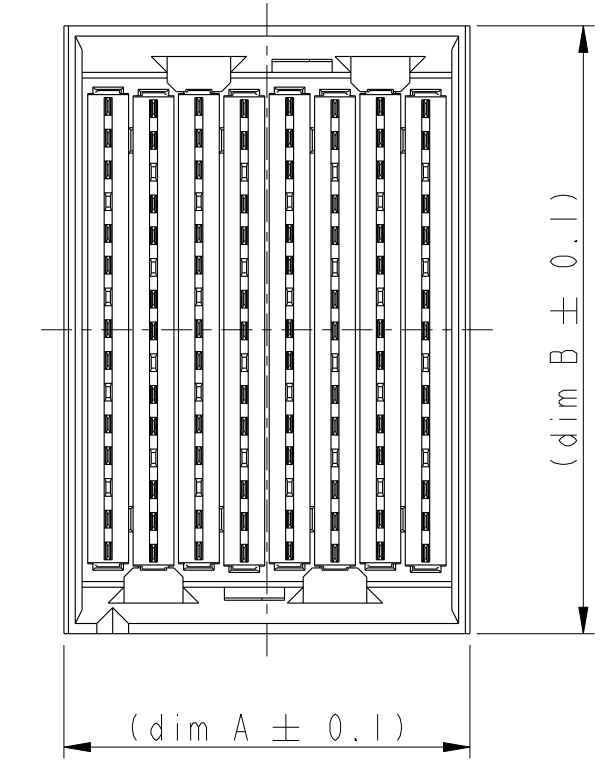
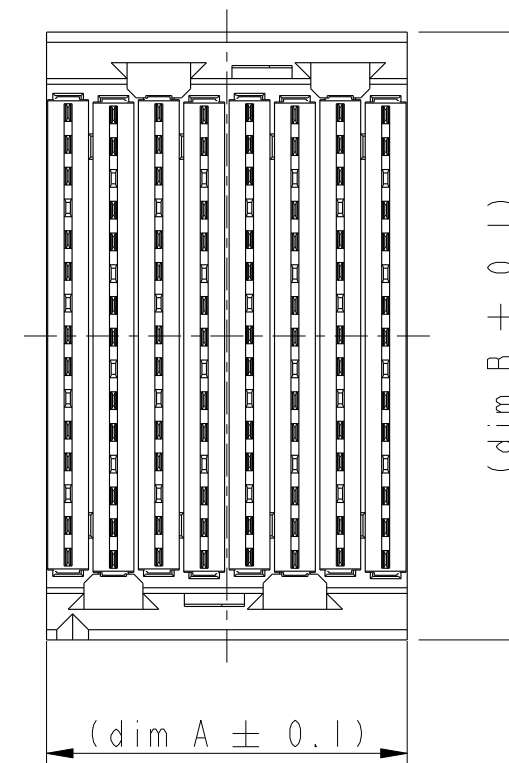
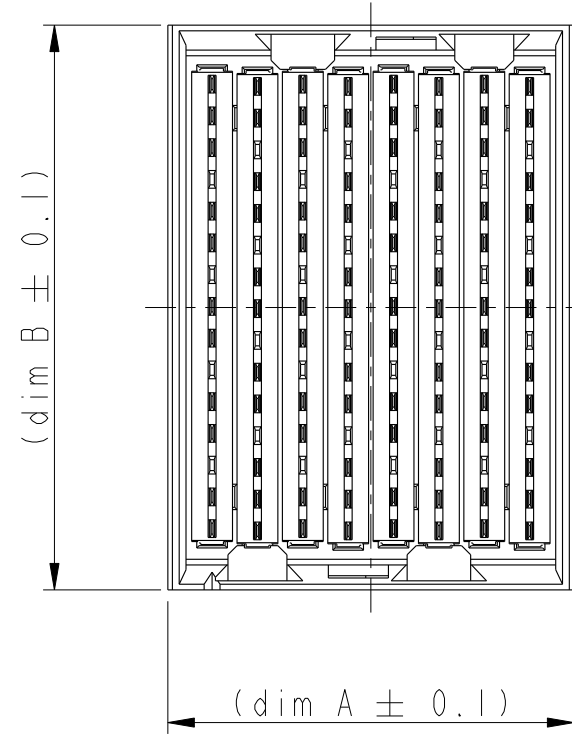
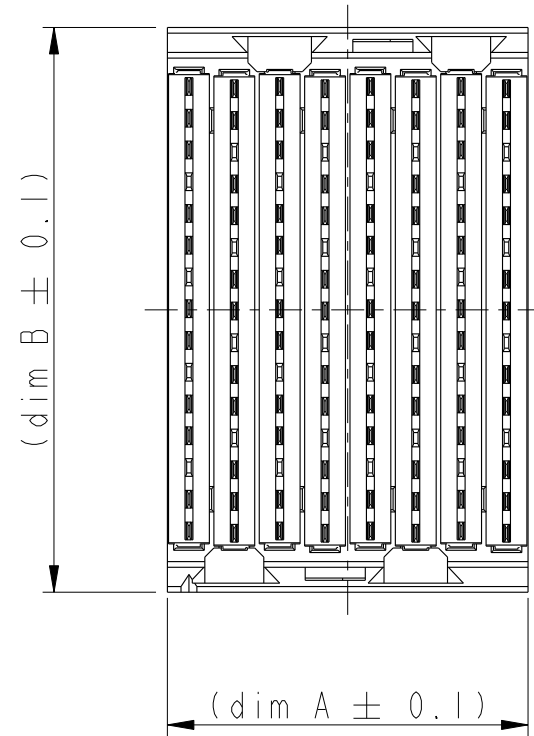
WIDE BODY

10055140-101ABC1

10055140-104ABC1

10055140-105ABC1

10055140-108ABC1



PN / dim	A	B
10055140-101ABC1(LF)	15.9	24.9
10055140-104ABC1(LF)	17.9	24.9
10055140-105ABC1(LF)	15.9	26.8
10055140-108ABC1(LF)	17.9	26.8

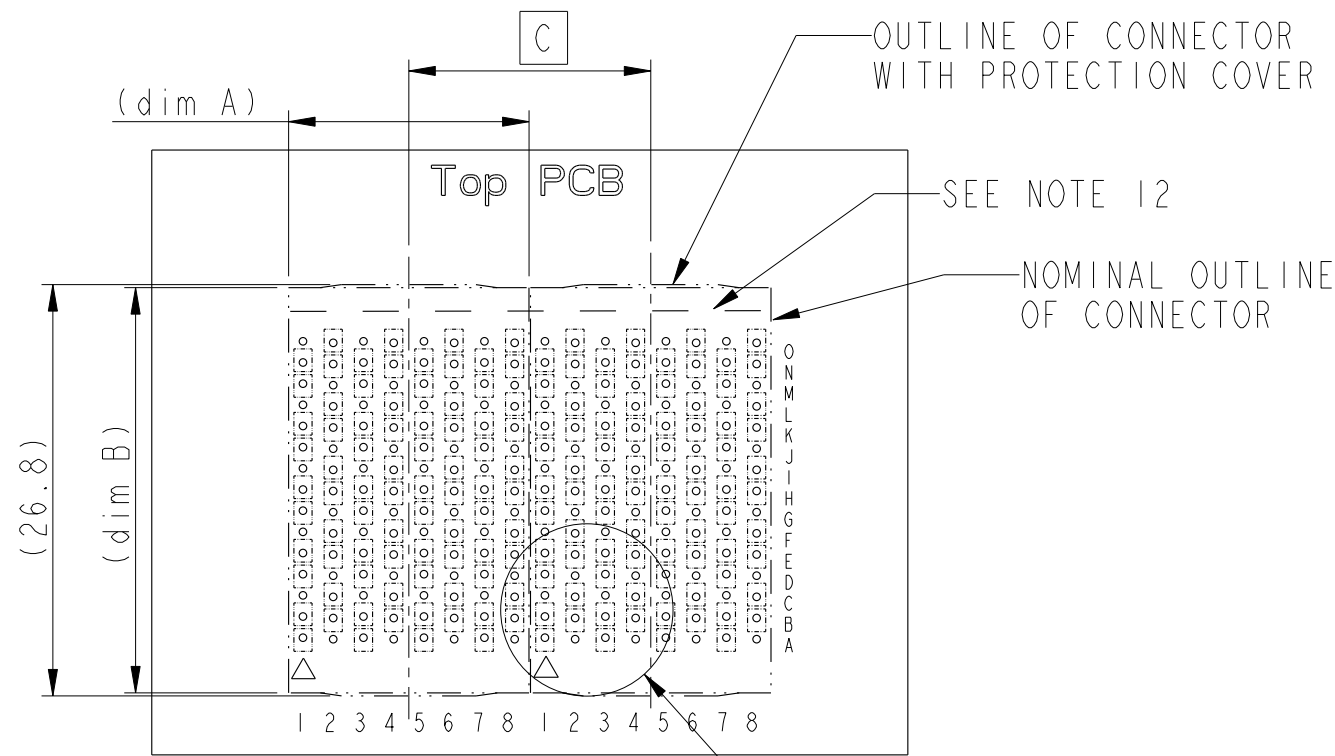
spec ref	RELEASE	dr	Matthew Cheong	2007/04/25	projection	mm	size	A3	scale	2:1
tolerance std	TOLERANCES UNLESS OTHERWISE SPECIFIED	eng	Roger Ng	2013/01/28		←→	ecn no	ELX-S-13944-1	rel level	Released
ISO 406		chr	-	-						
ISO 1101		appr	Chen-Hong Tan	2013-01-30	product family	AirMax VS				
surface		linear	0.X	±		title	dwg no	10055140	rev	B
ISO 1302			0.XX	±						
		angular	0°	±°	www.fci.com	cat. no.	-	Product - Customer Drw	sheet 4 of 5	



Copyright FCI.

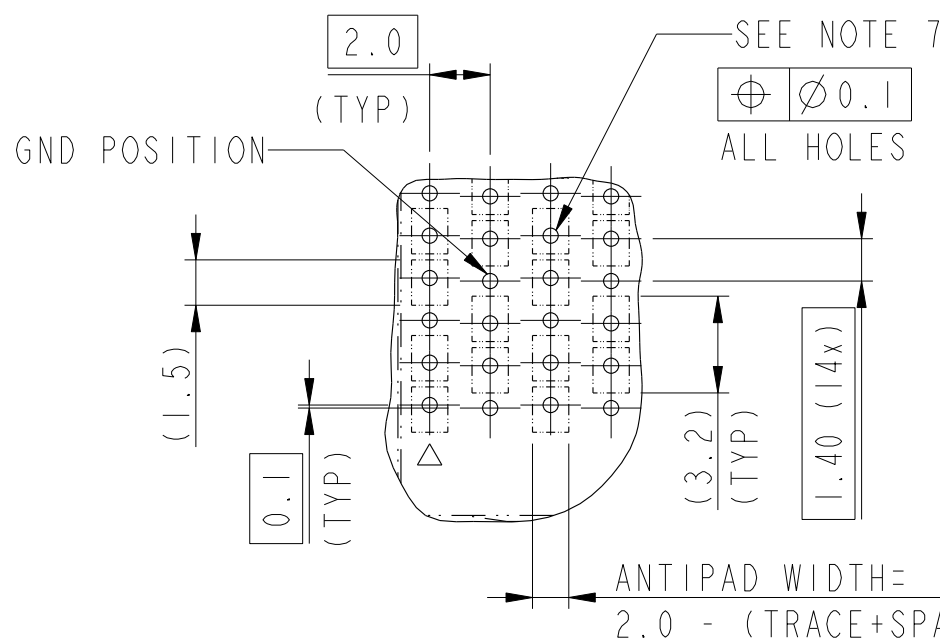
NOTES:

- CONNECTOR MATERIALS:
HOUSING : HIGH TEMP THERMOPLASTIC, NATURAL, UL94V-0
PROTECTION COVER : HIGH TEMP THERMOPLASTIC, BLACK, UL94V-0
IMLA PLASTIC: HIGH TEMP THERMOPLASTIC, BLACK UL94V-0
CONTACT: COPPER ALLOY
- CONTACT PLATING:
SEPARABLE INTERFACE: PERFORMANCE-BASED PLATING, QUALIFIED TO MEET THE REQUIREMENTS OF FCI PRODUCT SPECIFICATION GS-12-239, INCLUDING TELCORDIA GR-1217-CORE (NOV 1995) CENTRAL OFFICE TEST SEQUENCE.
PRESS-FIT TAILS: TIN-LEAD (NON LEAD FREE) OR TIN OVER NICKEL (LEAD FREE)
- PRODUCT SPECIFICATION: GS-12-239.
- APPLICATION SPECIFICATION: GS-20-035. FLATROCK INSERTION INTO PCB BY PUSHING ON TOP OF SURFACE PROTECTION COVER
- PRODUCT MARKING, (PARTNUMBER & LOTCODE).
- PROTECTION COVER MUST BE REMOVED BEFORE MATING WITH RECEPTACLE CONNECTOR
- SEE CUSTOMER DRAWING 10045979 FOR INFORMATION ON PCB HOLE DIAMETER AND PLATING OPTIONS.
- LEAD FREE PARTNUMBERS MEETS THE EUROPEAN UNION DIRECTIVE AS DESCRIBED IN GS-22-008, SUB CLAUSE 3.2
- THE HOUSING SHOULD WITHSTAND EXPOSURE TO 260°C PEAK TEMPERATURE FOR 40 SECONDS IN A CONVECTION, INFRA-RED OR VAPOR PHASE REFLOW OVEN.
- PACKAGE PER GS-14-1086 AND GS-14-920 LEAD FREE LABELING SPEC.
- THERE IS NO GROUND BUSSING WITHIN THE CONNECTOR SYSTEM.
- IT IS RECOMMENDED TO PUT THIS VISIBLE LINE AND THE AI INDICATION (TRIANGLE) ON THE PCB TO INDICATE PROPER ORIENTATION. OTHER VISIBLE POLARIZATION MARKS ARE AI INDICATOR AND PRINTING SIDE. (SEE SHEET 3)
- GRIPPING FEATURE TO REMOVE PROTECTION COVER BY FINGERS.
- GRIPPING FEATURE TO REMOVE PROTECTION COVER BY STANDARD PLIERS.
- A \triangle SYMBOL WILL BE NEXT TO ANY NEXT TO ANY DIMENSION, VIEW OR NOTE WHICH HAS BEEN MODIFIED WITH THE CURRENT DRAWING REVISION.



RECOMMENDED PCB LAYOUT FOR DIFFERENTIAL APPLICATIONS COMPONENT SIDE (TWO ADJECENT FOOTPRINTS SHOWN). SEE DETAIL A

PN \ dim	A	B	C
10055140-101ABC1(LF)	15.9	24.9	16
10055140-104ABC1(LF)	17.9	24.9	18
10055140-105ABC1(LF)	15.9	26.8	16
10055140-108ABC1(LF)	17.9	26.8	18



DETAIL A
SCALE 4:1

spec ref	RELEASE	dr	Matthew Cheong	2007/04/25	projection	mm	size	A3	scale	1:1
tolerance std	TOLERANCES UNLESS OTHERWISE SPECIFIED	eng	Roger Ng	2013/01/28		←→	ecn no	ELX-S-13944-1	rel level	Released
ISO 406		chr	-	-						
ISO 1101		appr	Chen-Hong Tan	2013-01-30	product family					
ISO 1302	linear	0.X	±		Title	AirMax VS VERTICAL HEADER	dwg no	10055140	rev	B
		0.XX	±							
		0.XXX	±							
	angular	0°	±°	www.fci.com	cat. no.	Product - Customer Drw	sheet 5 of 5			

