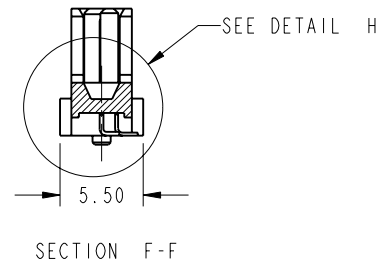
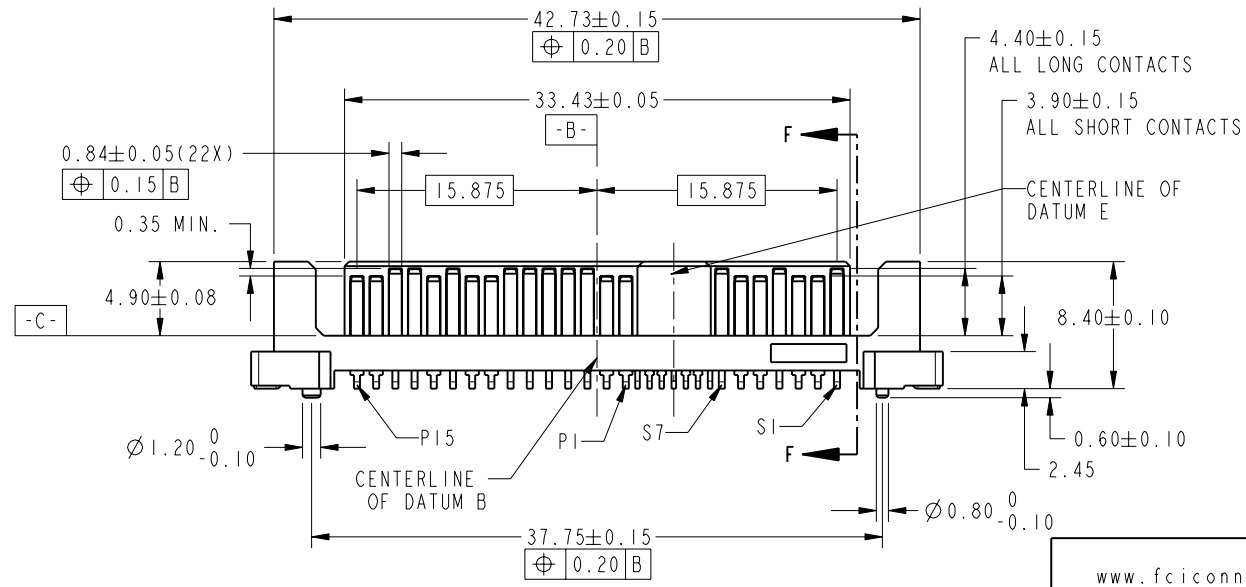
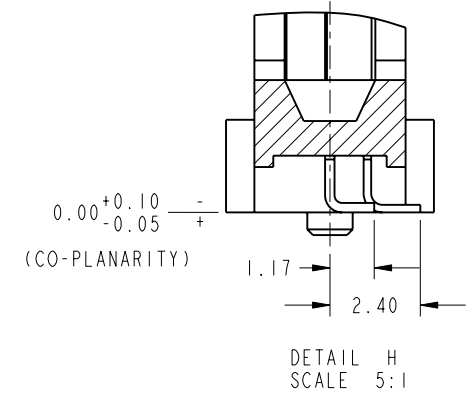
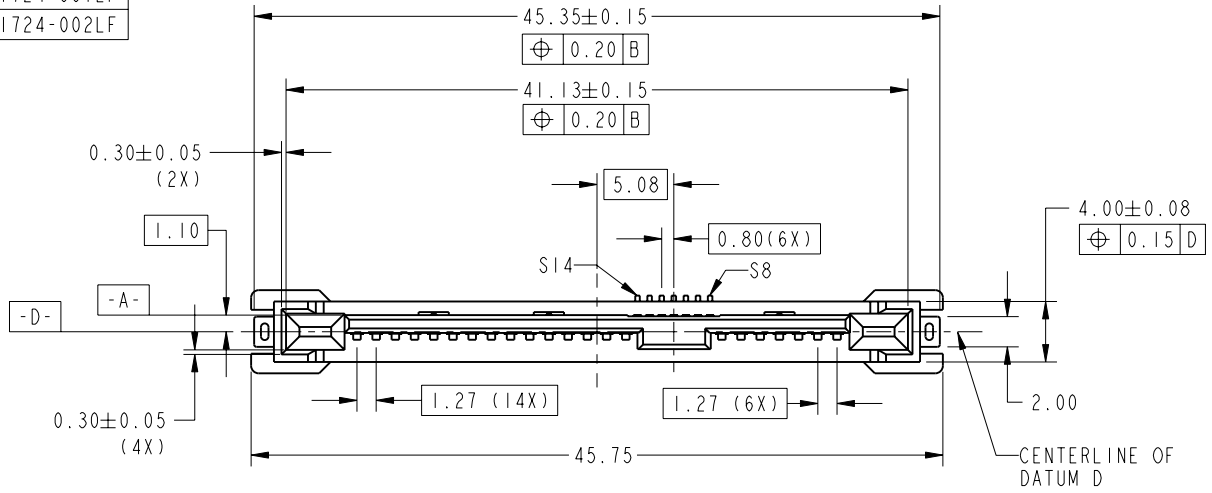


PRODUCT NO.  
10041724-001LF  
10041724-002LF



|   |         |            |                                       |                             |              |              |
|---|---------|------------|---------------------------------------|-----------------------------|--------------|--------------|
| www.fciconnect.com                          |         |            | surface<br>ASME Y14.5                 | tolerance std<br>ASME Y14.5 | projection   | MM           |
|   |         |            | TOLERANCES UNLESS OTHERWISE SPECIFIED |                             |              |              |
| Dr  | SH TAN  | 2004-08-20 | ANGULAR                               | 0.X                         | ±0.25        | size A4      |
| Eng   | HK LIM  | 2007-11-02 | LINEAR                                | 0.XX                        | ±0.13        | Scale 2:1    |
| Chr   | HK LIM  | 2007-11-02 | 0°                                    | 0.XXX                       | ±0.050       | ECN S07-0382 |
| Appr  | JOEY NG | 2007-11-02 | Product family                        |                             | Spec ref     |              |
| SAS PLUG<br>VERTICAL SMT ASSY<br>catalog no |         |            | dwg no<br>10041724                    |                             | Rev.<br>H    |              |
|   |         |            | CUSTOMER                              |                             | sheet 1 of 3 |              |

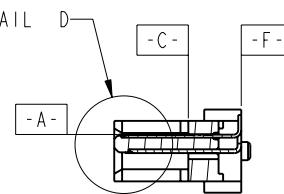
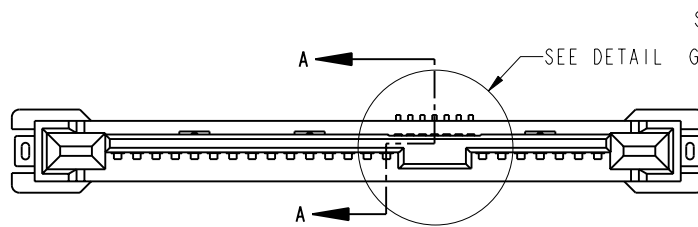
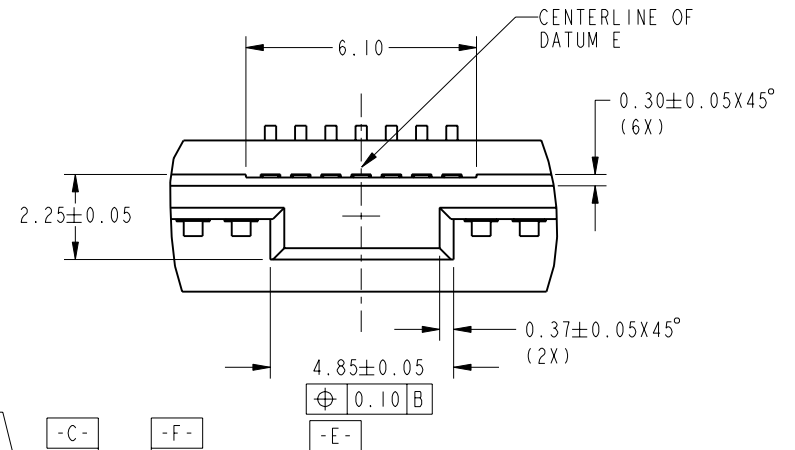
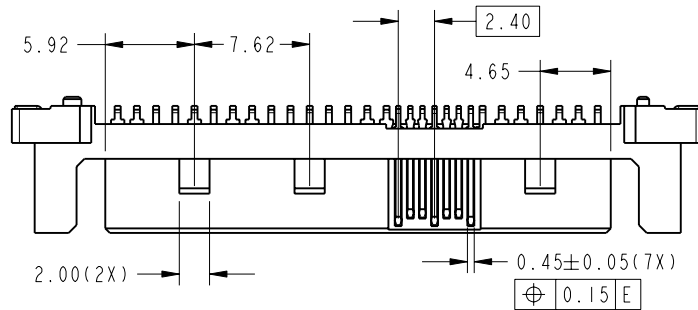
| rev | ecn no   | dr  | date       |
|-----|----------|-----|------------|
| H   | S07-0382 | HKL | 2007-11-02 |
| B   | S05-0368 | HKL | 2005-12-29 |
| C   | S06-0077 | HKL | 2006-03-13 |
| D   | S06-0182 | HKL | 2006-05-26 |
| E   | S06-0276 | HKL | 2006-08-18 |
| F   | S07-0107 | HKL | 2007-04-11 |
| G   | S07-0301 | HKL | 2007-09-05 |

REV C - 2006-03-28



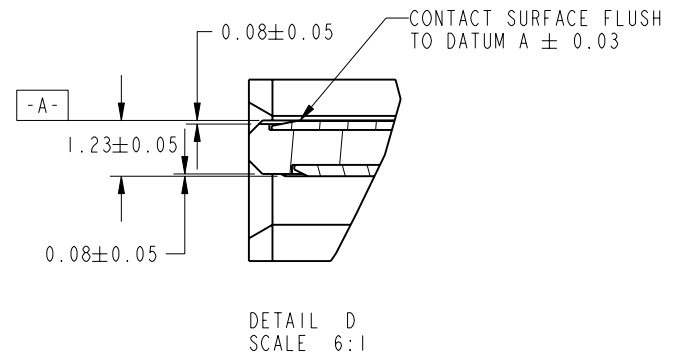
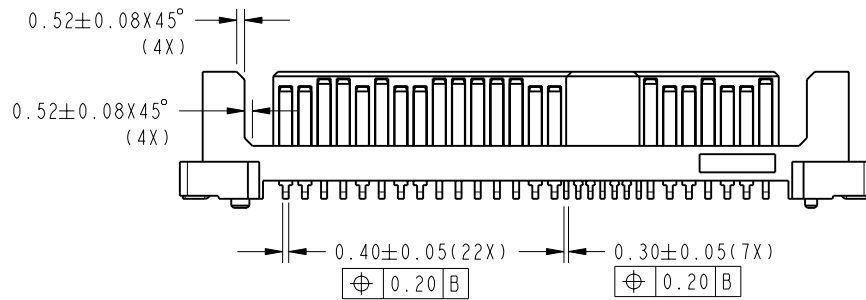
Copyright FCI.

PRODUCT NO.  
SEE TABLE



DETAIL G  
SCALE 5:1

SECTION A-A



Copyright FCI.

REV E - 2006-03-28



title  
SAS PLUG  
VERTICAL SMT ASSY  
catalog no

dwg no  
10041724

Rev.  
H

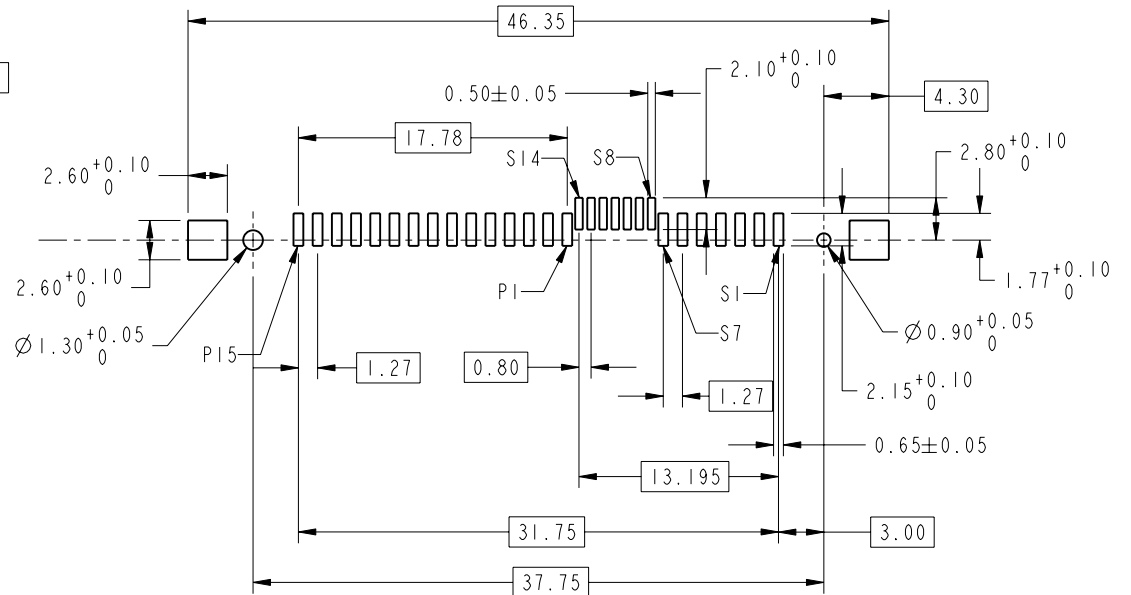
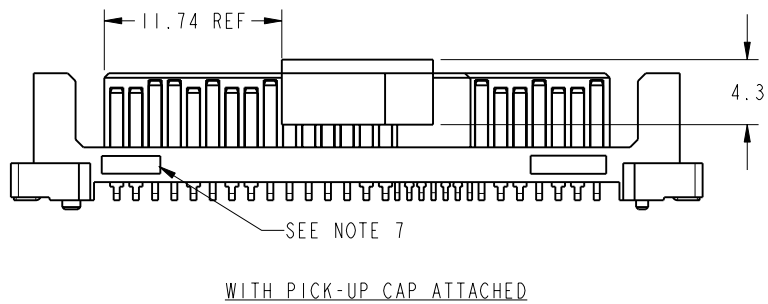
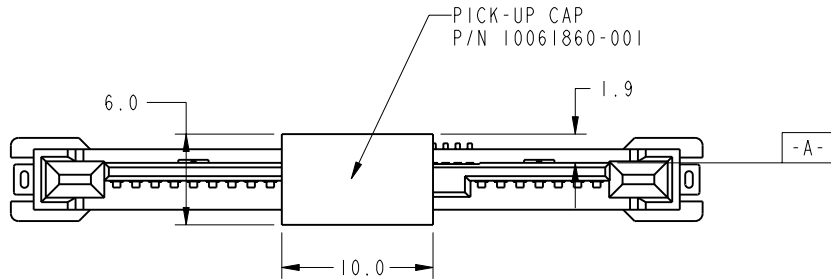
CUSTOMER sheet 2 of 3

PDM: Rev:H

STATUS: Released

Printed: Dec 01, 2010

|                               |                  |             |                         |
|-------------------------------|------------------|-------------|-------------------------|
| PRODUCT NO.                   | WITH PICK-UP CAP | PACKAGING   | PLATING SPEC.           |
| 10041724-001LF/-002LF         | NO               | TRAY        | -001LF REFER TO NOTE 2A |
| 10041724-001CLF/-002CLF       | YES              |             | -002LF REFER TO NOTE 2B |
| 10041724-001C-TRLF/-002C-TRLF |                  | TAPE & REEL |                         |



RECOMMENDED SOLDER PAD LAYOUT

NOTES:

- MATERIAL:  
HOUSING & PICK-UP CAP: HIGH TEMPERATURE PLASTIC, BLACK, UL94V-0  
CONTACT & HOLD DOWN: COPPER ALLOY
- FINISH:  
CONTACT: 1.27um MIN. NICKEL UNDERPLATE OVERALL,  
2.00um MIN. 100% MATTE TIN(LEAD FREE) ON SOLDER TAIL,  
A) 0.76um MIN. GOLD ON CONTACT AREA  
B) 0.76um MIN. GXT™ ON CONTACT AREA  
HOLD DOWN: 2.54um MIN. 100% MATTE TIN(LEAD FREE) OVER 1.27um MIN. NICKEL UNDERPLATE
- THIS PRODUCT MEETS EUROPEAN UNION DIRECTIVES AND OTHER COUNTRY REGULATIONS AS DESCRIBED IN GS-22-008
- THE HOUSING WILL WITHSTAND EXPOSURE TO 260°C PEAK TEMPERATURE FOR 10 SECONDS IN A CONVECTION, INFRA-RED OR VAPOR PHASE REFLOW OVEN
- PART WITH PICK-UP CAP, P/N XXXXXXXX-XXXCLF
- FOR TAPE & REEL PACKAGING, P/N XXXXXXXX-XXXC-TRLF
- THE PART SHALL HAVE "FCI" ID AND CAVITY NUMBER SHOWN IN THE APPROXIMATE LOCATION
- A SYMBOL WILL BE NEXT TO ANY DIMENSION, VIEW OR NOTE WHICH HAS BEEN MODIFIED WITH THE CURRENT DRAWING REVISION

|  |            |                   |          |              |      |   |
|--|------------|-------------------|----------|--------------|------|---|
|  | TITLE      | SAS PLUG          | dwg no   | 10041724     | Rev. | H |
|  | TITLE      | VERTICAL SMT ASSY | CUSTOMER | sheet 3 of 3 |      |   |
|  | CATALOG NO |                   |          |              |      |   |