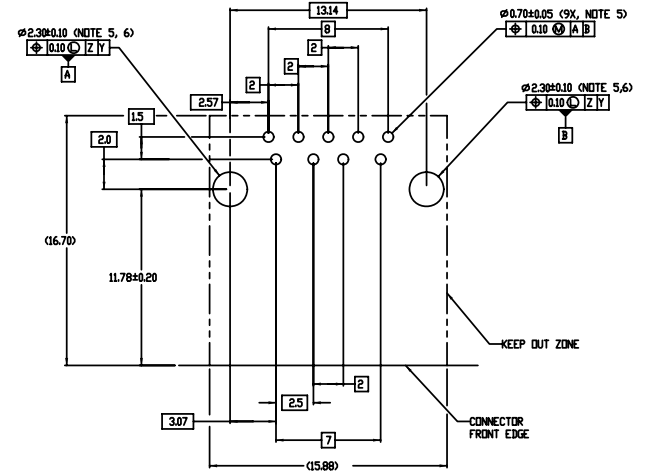
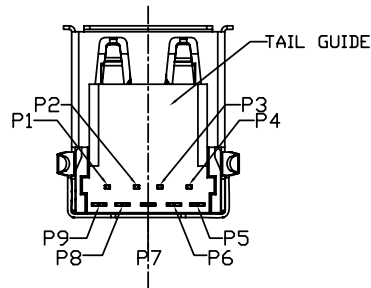
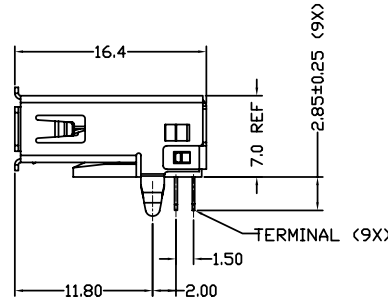
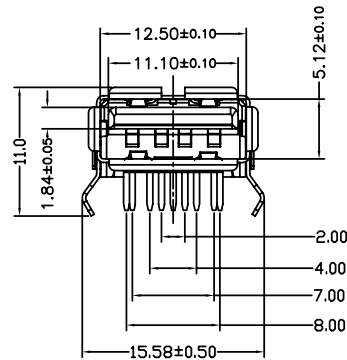
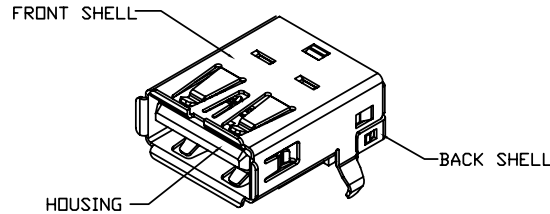
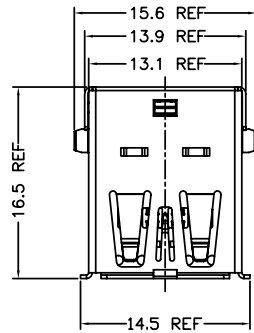


PART NUMBER	Contact Area Plating	DURABILITY (cycles)
10117835-001LF	30u" (0.76um) Min. gold	3500 Min.
10117835-002LF	Gold Flash	1500 Min.
10117835-003LF	15u" (0.38um) Min. gold	3000 Min.



RECOMMENDED PCB LAYOUT
TOP VIEW (THICKNESS:1.6±0.1mm)

Notes:

- Materials and Finish
Housing & Tail Guide: Glass fiber filled thermoplastic resin, UL94 V-0 rated, color blue.
Terminals: Copper Alloy, 50u" (1.27um) Min. Ni underplated over all.
Contact area: see table
Tail area: 80u" (2.0um) Min. Matte Tin plated.
Front Shell: Copper Alloy, 50u" (1.27um) Min. Ni plated over all.
Back Shell: Stell, 80u" (2.0um) Min. Ni plated over all.
- Product specification refer to FCI GS-12-0928.
- Package specification refer to GS-14-2157 (Tray package style).
- This product will withstand exposure to 260°C peak temp. for 10 seconds in a wave soldering application with recommended thick circuit board.
- Product meets European Union Directives and other country regulations as described in FCI GS-22-008.
- Recommended PCB hole is finished plating through hole (PTH) size.
- Datum Z,Y and basic dimensions were constructed by customer.

mat'l. code		surface ASME Y14.5		tolerance ASME Y14.5		projection		product family USB 3.0	
ltr ecn no dr date		tolerances unless otherwise specified		title		USB 3.0 Standard-A Receptacle Right Angle Type Soldering to Board Termination			
A	-	BF	01/04/2012	angle	0	x.±0.30	MM		
B	FCI-CLX-N-012221	A.ZH	07/16/2012	C	1	x.X±0.25	scale		
C	FCI-CLX-N-17260	L.Q	03/10/2014	X°±1°	1	x.XX±0.20	FCI		
dr		BEER FU		2012-01-04		dwg no		sheet 1 of 1 size	
eng		BEER FU		2012-01-04		10117835		A4	
chr		BEER FU		2012-01-04		type		CUSTOMER Drawing	
app		BEER FU		2012-01-04					
sheet	revision	B							
index	sheet	1							