

PRODUCT NUMBER
95293-XXX-XXLF

WHEN REQUIRED, ADD SUFFIX LETTER "LF"
INDICATES THE PRODUCT IS RoHS
COMPATIBLE, SEE NOTE 6
TOTAL NB OF POSITIONS, 3 TO 17
PACKAGING TYPE, NOTE 3

PLATING

1=0.76µm GOLD/GXT ON CONTACT AREA
3.81µm TIN-LEAD ON TAIL

4=3.81µm TIN-LEAD ON CONTACT AREA
AND ON TAIL

8=0.38µm GOLD/GXT ON CONTACT AREA
3.81µm TIN-LEAD ON TAIL

WHEN "LF" IS REQUIRED, 2µm MIN
MATTE TIN OVER 1.27µm MIN NICKEL
INSTEAD OF TIN-LEAD

CATALOGUE RANGE	
PIN STYLE	MATING
01	5.84
02	8.08

APPLICATION SPECIFIC	
PIN STYLE	MATING
05	9.6

NOTES:

1 - HOUSING MAT'L : HIGH TEMPERATURE
THERMOPLASTIC. UL94V-0 COLOR: BLACK

2 - PIN MATERIAL : PHOSPHOR BRONZE

3 - PACKAGING

- = POLY BAGS
B = TUBE + CAP
A = TAPE & REEL + CAP, SEE TA840 FOR
PRODUCT AVAILABIY

4 - 9N MIN RETENTION IN EITHER DIRECTION

5 - TO DETERMINE DIMENSIONS :

N = NUMBER OF POSITIONS
EXAMPLE : 8 POS N x 2.54 = 20.32mm

6. RoHS COMPATIBLE PRODUCT SPECIFICATIONS

a - PLATING:

- "LF" MEANS THE PRODUCT IS LEAD-FREE,
2µm MINIMUM MATTE TIN OVER 1.27µm
MINIMUM NICKEL UNDERPLATE.

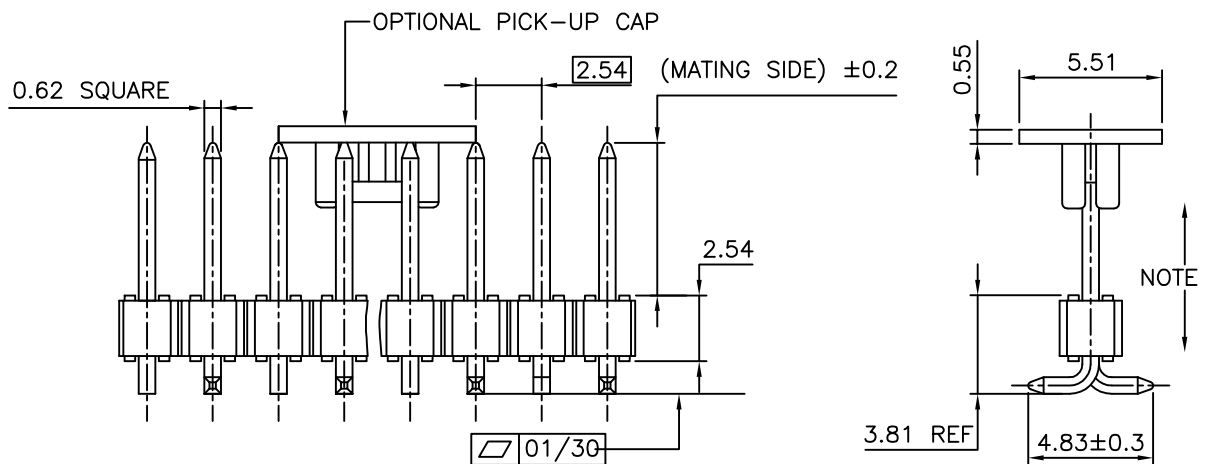
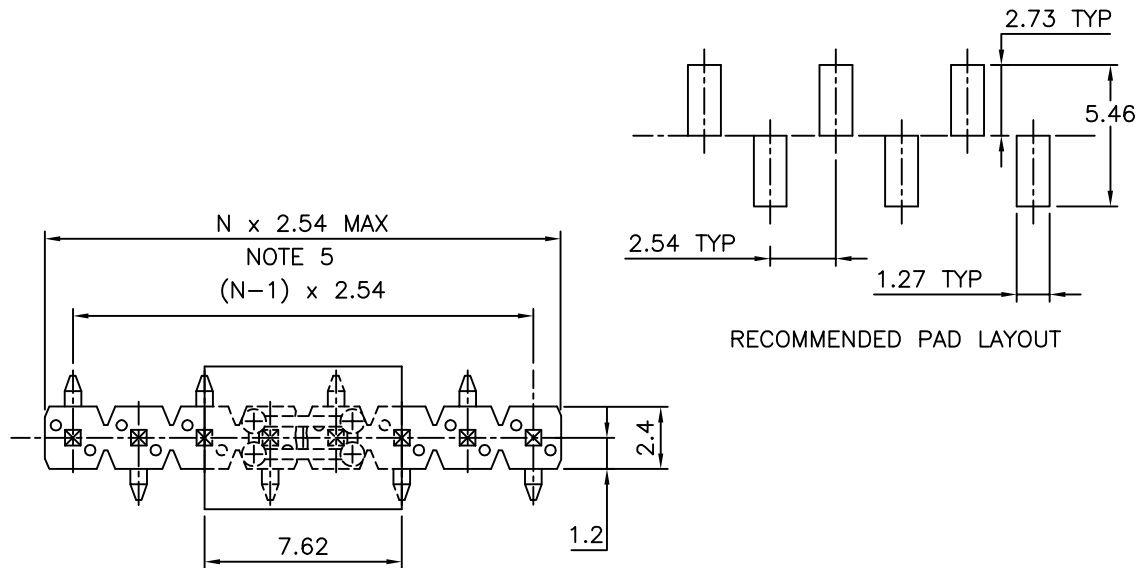
b - MANUFACTURING PROCESS COMPATIBILITY

- THE HOUSING WILL WITHSTAND EXPOSURE TO
260°C PEAK TEMPERATURE FOR 30 SECONDES
IN A CONVECTION, INFRA-RED OR VAPOR
PHASE REFLOW OVEN.

c - LABELING:

- MEETS PACKAGING SPECS AS PER GS-14-920

d - LEGAL STATEMENT: SEE GS-22-008



mat'l. code		surface		tolerance		projection		product family	
SEE NOTES		ISO 1302		ISO 406 ISO 1101		mm		BERGSTIK	
ltr	ecn no	dr	date	tolerances unless otherwise specified		mm		title	
G	F00162	LMU	00.03.20	angles	linear	x.X ±0.3		UNSHR.HEADER	
H	F10119	DLE	01.01.24	or ±2	x.XX ±0.13	x.xxx ±0.05		SR SMT	
J	F20567	JCO	02.10.21			scale 5:1		dwg no	
K	F04-0362	JCO	04.12.10	dr	D.LE	01.01.24	sheet 1 of 1		size
L	F06-0208	JCO	06.06.22	engr	JM.C	01.01.24	95293		A3
M	F08-0148	RTR	08.03.31	chr	JM.C	01.01.24	type		Drawing
N	F10-0207	JCO	10.09.09	appd	JF.N	01.01.24	CUSTOMER		
sheet	revision								
index	sheet								