

61082- AA B C D E G FF

| AA | POSITION |
|----|----------|
| 02 | 2X10 |
| 04 | 2X20 |
| 06 | 2X30 |
| 08 | 2X40 |
| 10 | 2X50 |
| 12 | 2X60 |
| 14 | 2X70 |
| 16 | 2X80 |
| 18 | 2X90 |
| 20 | 2X100 |

NOTE 10

| B | | FOR PLUG, SEE DWG. NO. 61083 | | | |
|-----------------------------|--------|------------------------------|--------|--------|--|
| COMBINATION OF MATED HEIGHT | Plug 1 | Plug 2 | Plug 3 | Plug 4 | |
| Recep 1 | | | | | |
| Recep 2 | | | | | |
| Recep 3 | | | | | |
| Recep 4 | | | | | |

| | |
|---|---------------------|
| G | DATE CODE |
| / | NOT PRINT DATE CODE |
| P | PRINT DATE CODE |

| E | PACKAGING |
|---|--|
| 0 | TUBE WITHOUT METAL CAP |
| 2 | T&R WITH METAL CAP |
| 9 | TUBE WITH METAL CAP |
| 6 | T&R WITHOUT METAL CAP (WITH KAPTON TAPE) |

NOTE 10
NOTE 10

| D | POLARIZATION PEG | HOLD DOWN |
|---|------------------|-----------|
| 0 | YES | NO |
| 2 | NO | NO |

| C | PLATING ON CONTACT AREA | FF |
|---|---|------|
| 0 | GOLD 0.2um MIN / TIN LEAD NICKEL UNDERPLATE OVERALL 1.27um MIN | NONE |
| 1 | GOLD FLASH (0.1um MIN) OVER PALLADIUM-NICKEL 0.76um MIN / TIN LEAD NICKEL UNDERPLATE OVERALL 1.27um MIN | NONE |
| 4 | GOLD 0.2um MIN / PURE TIN 2um MIN (LEAD FREE) NICKEL UNDERPLATE OVERALL 1.27um MIN | LF |
| 5 | GOLD 0.38um MIN / PURE TIN 2um MIN (LEAD FREE) NICKEL UNDERPLATE OVERALL 1.27um MIN | LF |
| 6 | GOLD FLASH (0.1um MIN) OVER PALLADIUM-NICKEL 0.76um MIN / PURE TIN 2um MIN (LEAD FREE) NICKEL UNDERPLATE OVERALL 1.27um MIN | LF |

- NOTE:
- MATERIAL:
HOUSING: G.F. LCP, UL94-V0
TERMINAL: NICKEL COPPER
 - PLATING: AS SHOWN IN TABLE.
 - SEE GS-12-547 FOR PRODUCT SPEC.
 - PACKAGING OPTION 2: NOT ALL SIZES ARE AVAILABLE. CHECK WITH FACTORY.
 - THIS PRODUCT MEETS THE EUROPEAN UNION DIRECTIVES AND OTHER COUNTRY REGULATIONS AS DESCRIBED IN GS-22-008.
 - THE HOUSING WILL WITHSTAND EXPOSURE UP TO 260~ PEAK TEMPERATURE FOR 30 SECONDS IN A CONVECTION, INFRA-RED OR VAPOR PHASE REFLOW OVEN.
 - PLATING OPTION "4" IS LEADFREE ALTERNATIVE FOR OPTION "0", AND OPTION "6" IS LEADFREE ALTERNATIVE FOR OPTION "1".
 - HIGH PRECISION COPLANARITY IS AVAILABLE FOR 2X80 TO 2X100 POS, ALL HEIGHTS. PLS REFER TO PRINT 10069525.
 - THE P/N 61082-***** OR 61082-*****LF NOT PRINT DATE CODE.
THE P/N 61082-*****P OR 61082-*****PLF NEED PRINT DATE CODE.
 - 2X10 POSITION ONLY APPLY TO RECEPTACLE 4.
PACKAGING WITH METAL CAP DOES NOT APPLY TO 2X10 POSITION.

| | | | | | | | | | |
|---------------------|---------|----------------|------------|----------------|----------|--------|------------------------|--------------|----------|
| spec ref | dr | Matthew Cheong | 2009/06/09 | projection | MM | size | A3 | scale | 3:1 |
| tolerance std | eng | Jim Meng | 2015/03/25 | | ← → | ecn no | ELX-N-20397-1 | rel level | Released |
| ISO 406 ISO 1101 | chr | - | - | | | | | | |
| surface | linear | 0.X | ±0.20 | product family | - | dwg no | 61082 | rev | AD |
| | | 0.XX | ±0.15 | | | | | | |
| ISO 1302 | angular | 0° | ±2° | www.fci.com | cat. no. | - | Product - Customer Drw | sheet 1 of 7 | |

Copyright FCI. FCI

| PRODUCT NO. | NUMBER OF POSITIONS | DIMENSION | | |
|--------------|---------------------|-----------|------|------|
| | | A | B | C |
| 61082-041*** | 2X20 | 15.2 | 21.8 | 20.2 |
| 61082-061*** | 2X30 | 23.2 | 29.8 | 28.2 |
| 61082-081*** | 2X40 | 31.2 | 37.8 | 36.2 |
| 61082-101*** | 2X50 | 39.2 | 45.8 | 44.2 |
| 61082-121*** | 2X60 | 47.2 | 53.8 | 52.2 |
| 61082-141*** | 2X70 | 55.2 | 61.8 | 60.2 |
| 61082-161*** | 2X80 | 63.2 | 69.8 | 68.2 |
| 61082-181*** | 2X90 | 71.2 | 77.8 | 76.2 |
| 61082-201*** | 2X100 | 79.2 | 85.8 | 84.2 |

DATE CODE: XXXXXX

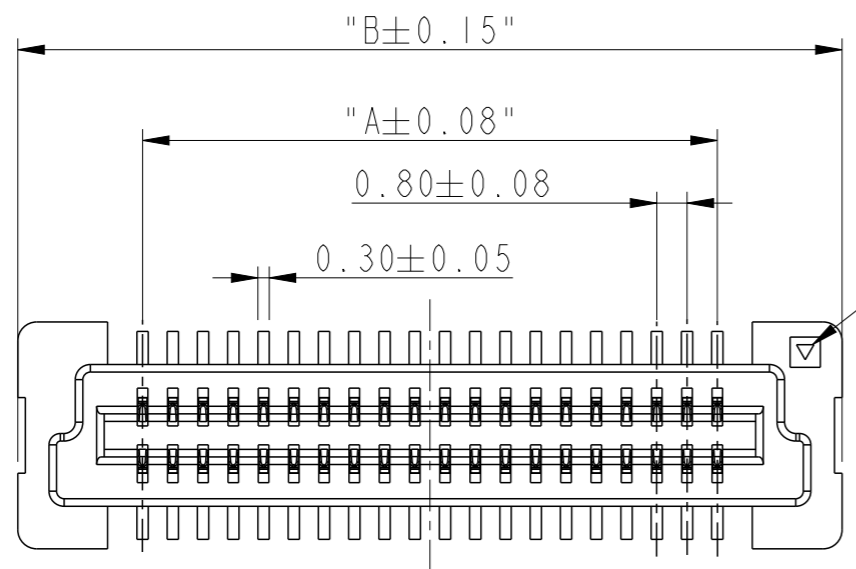
DAY(01~31)
MONTH(01~12)
YEAR(00~99)

DETAIL F

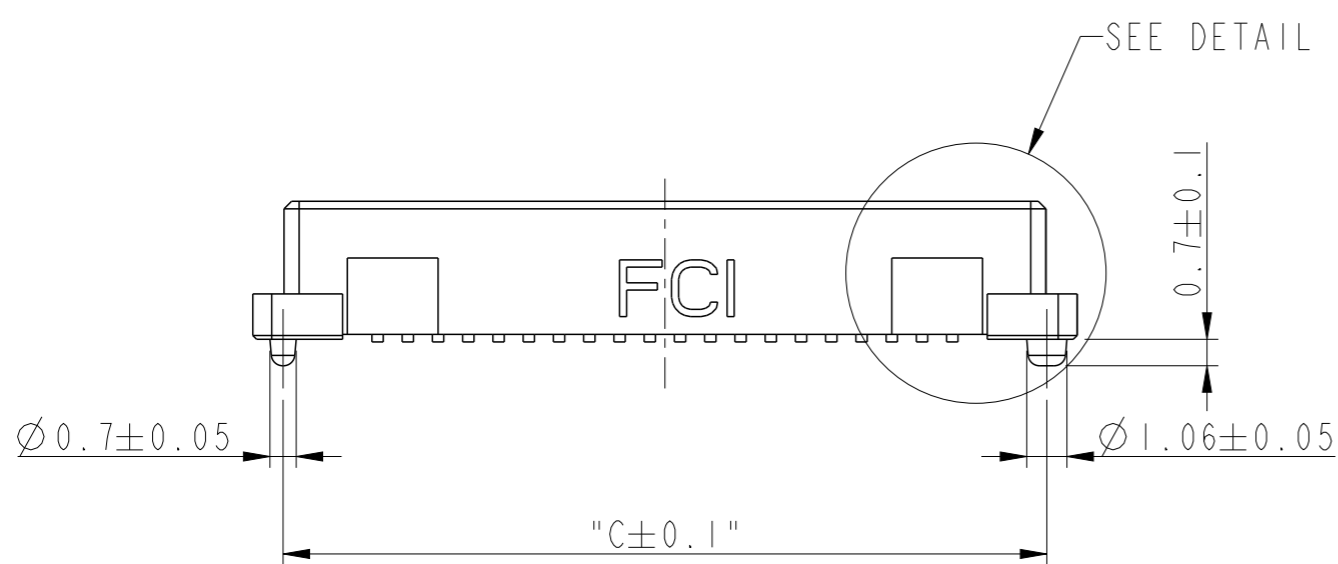
COPLANARITY OF TAIL:
0.1 MAX. APPLIED TO 2X20 TO 2X70 POS.
0.13 MAX APPLIED TO 2X80 TO 2X100 POS.

HIGH PRECISION COPLANARITY IS AVAILABLE FOR 2X80 TO 2X100 POS.
PLS REFER TO PRINT 10069524.

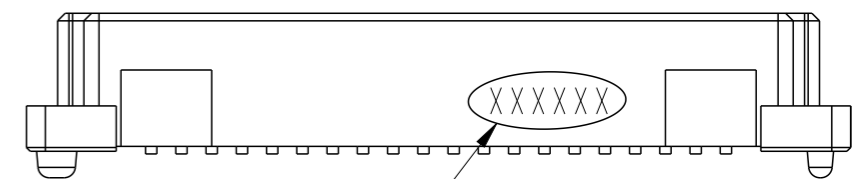
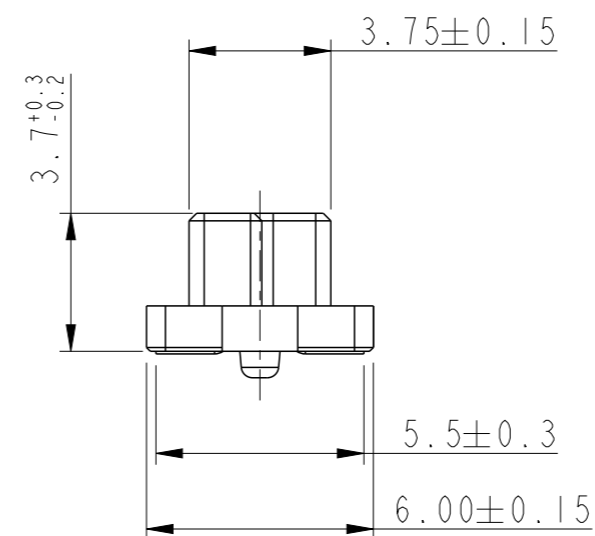
DETAIL A
SCALE 10:1



POSITION #1 INDICATOR



SEE DETAIL A

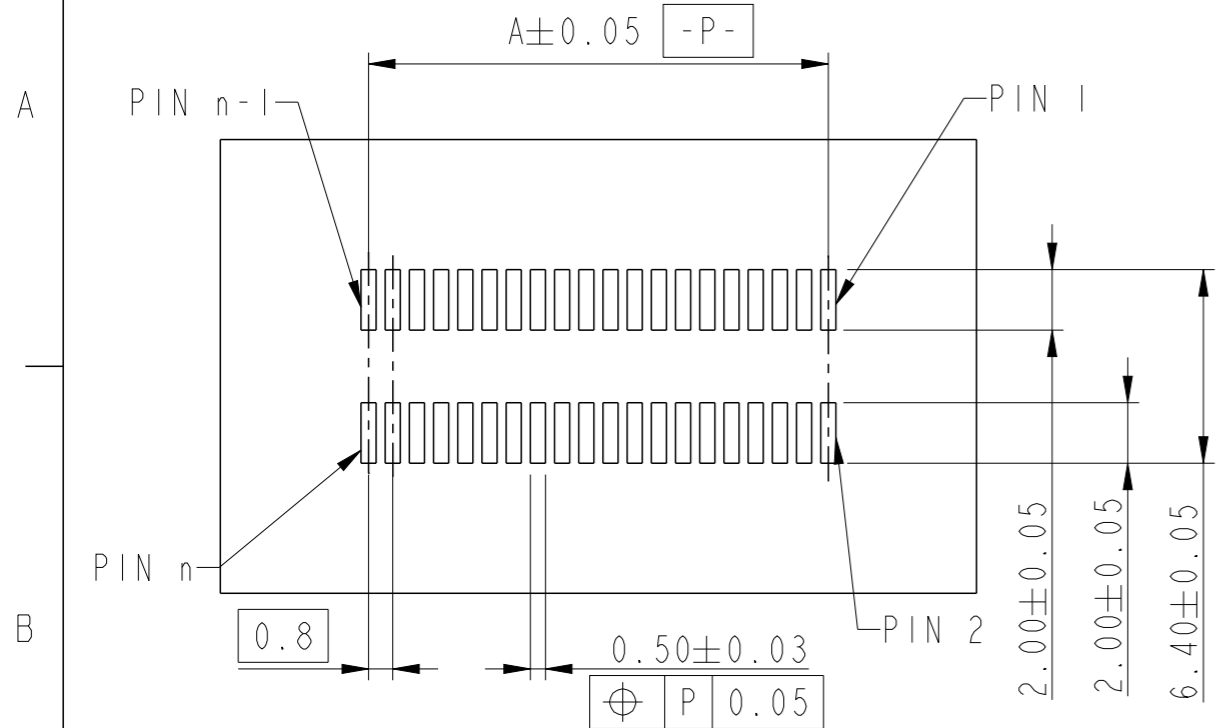


SEE DETAIL F

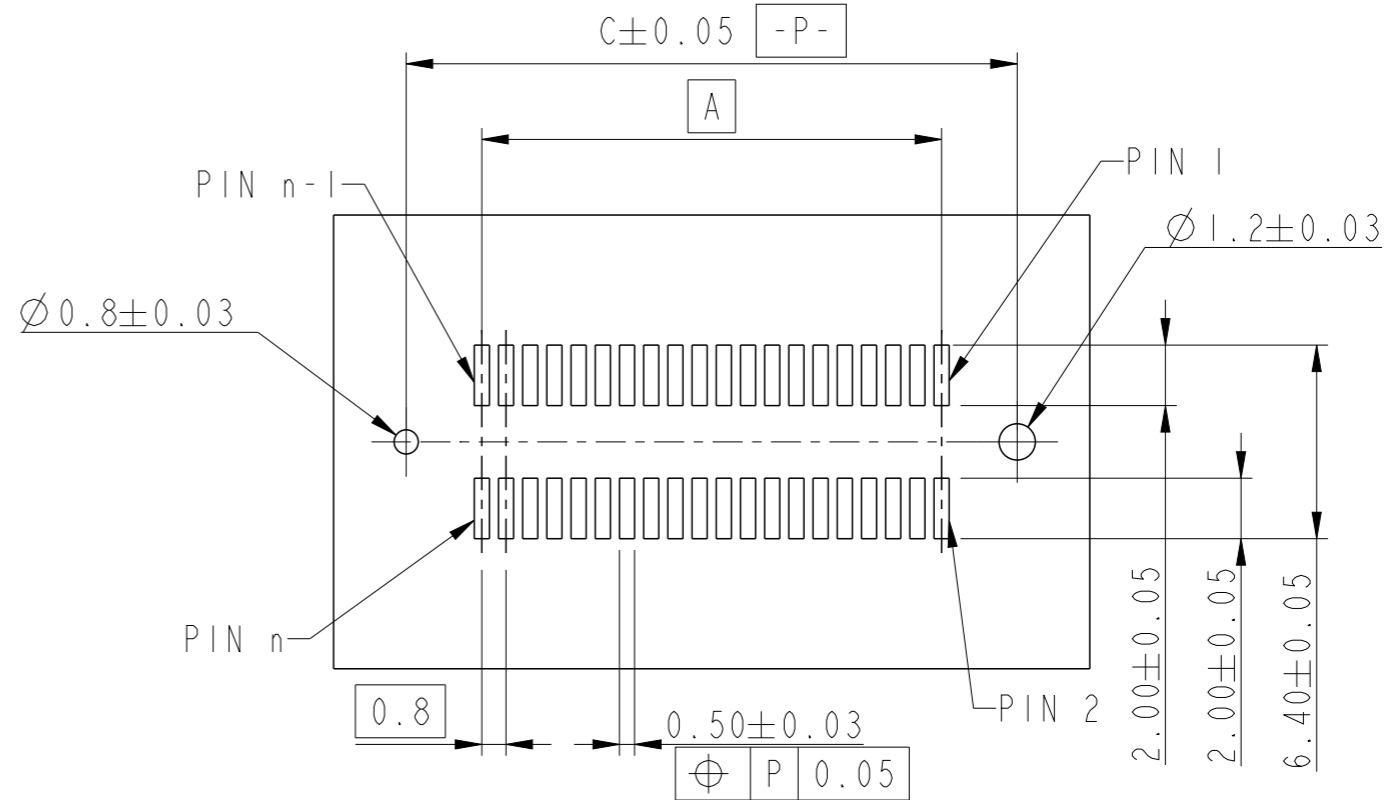
RECEPTACLE 1

| | | | | | | | | |
|-------------|----------------|------------|------------|----|----------------|------------------------|-----------|--------------|
| dr | Matthew Cheong | 2009/06/09 | projection | MM | size | A3 | scale | 3:1 |
| eng | Jim Meng | 2015/03/25 | | | ecn no | ELX-N-20397-1 | | |
| chr | - | - | | | product family | - | rel level | Released |
| appr | Tim Yao | 2015/04/02 | | | | dwg no | 61082 | rev |
| www.fci.com | | | title | | | BERGSTAK 0.8MM | | AD |
| cat. no. | | | - | | | Product - Customer Drw | | sheet 2 of 7 |

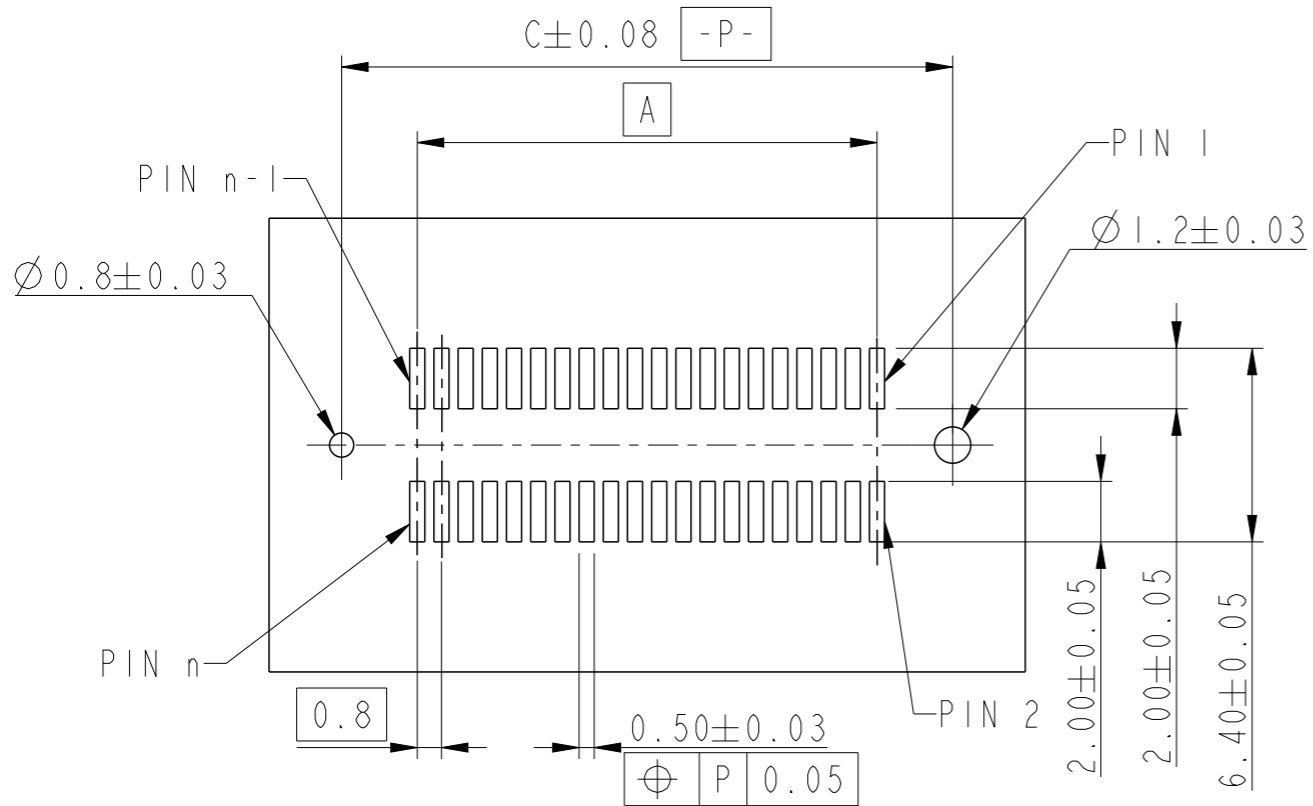
RECEPTACLE 1



RECOMMENDED PCB LAYOUT WITHOUT PEGS AND HOLDDOWN



RECOMMENDED PCB LAYOUT WITH PEGS
FOR NO. OF POSITION 2X20, 2X30, 2X40, 2X50, 2X60



RECOMMENDED PCB LAYOUT WITH PEGS
FOR NO. OF POSITION 2X70, 2X80, 2X90, 2X100

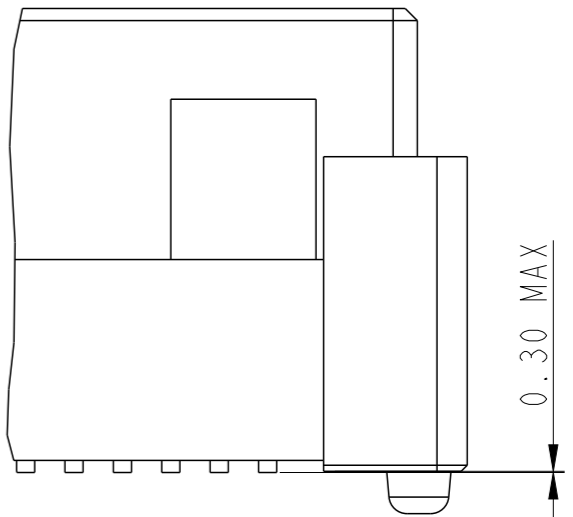
| | | | | | | | | | | |
|-------------|----------------|------------|----------------|----|------------------------|---------------|--------|--------------|-----|----|
| dr | Matthew Cheong | 2009/06/09 | projection | MM | size | A3 | scale | 3:1 | | |
| eng | Jim Meng | 2015/03/25 | | | ecn no | ELX-N-20397-1 | | | | |
| chr | - | - | | | rel level | Released | | | | |
| appr | Tim Yao | 2015/04/02 | product family | - | | | | | | |
| | | | title | | BERGSTAK 0.8MM | | dwg no | 61082 | rev | AD |
| www.fci.com | | | cat. no. | - | Product - Customer Drw | | | sheet 3 of 7 | | |

| PRODUCT NO. | NUMBER OF POSITIONS | DIMENSION | | |
|--------------|---------------------|-----------|------|------|
| | | A | B | C |
| 61082-042*** | 2X20 | 15.2 | 21.8 | 20.2 |
| 61082-062*** | 2X30 | 23.2 | 29.8 | 28.2 |
| 61082-082*** | 2X40 | 31.2 | 37.8 | 36.2 |
| 61082-102*** | 2X50 | 39.2 | 45.8 | 44.2 |
| 61082-122*** | 2X60 | 47.2 | 53.8 | 52.2 |
| 61082-142*** | 2X70 | 55.2 | 61.8 | 60.2 |
| 61082-162*** | 2X80 | 63.2 | 69.8 | 68.2 |
| 61082-182*** | 2X90 | 71.2 | 77.8 | 76.2 |
| 61082-202*** | 2X100 | 79.2 | 85.8 | 84.2 |

DATE CODE: XXXXXX

DAY(01~31)
MONTH(01~12)
YEAR(00~99)

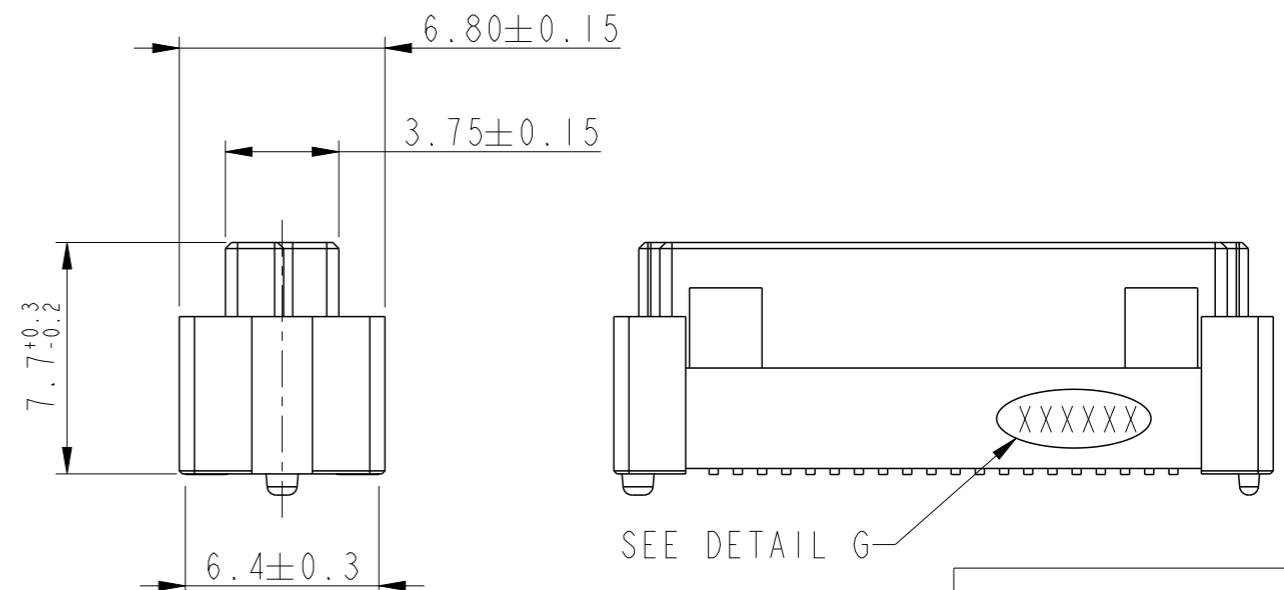
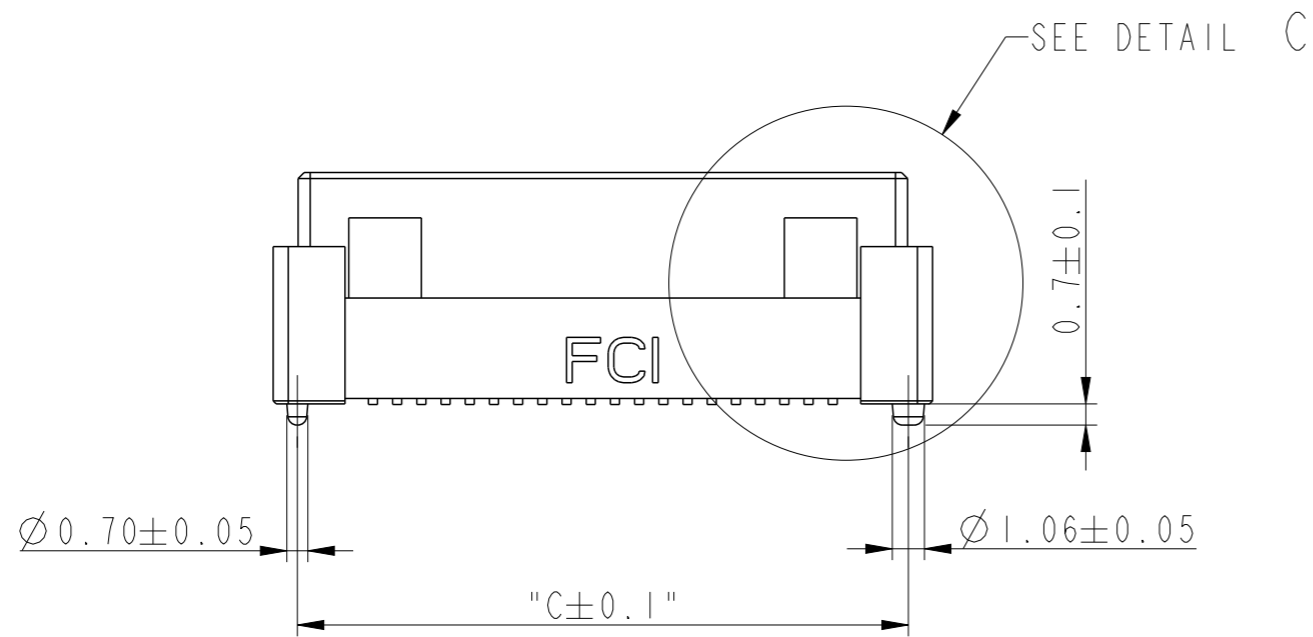
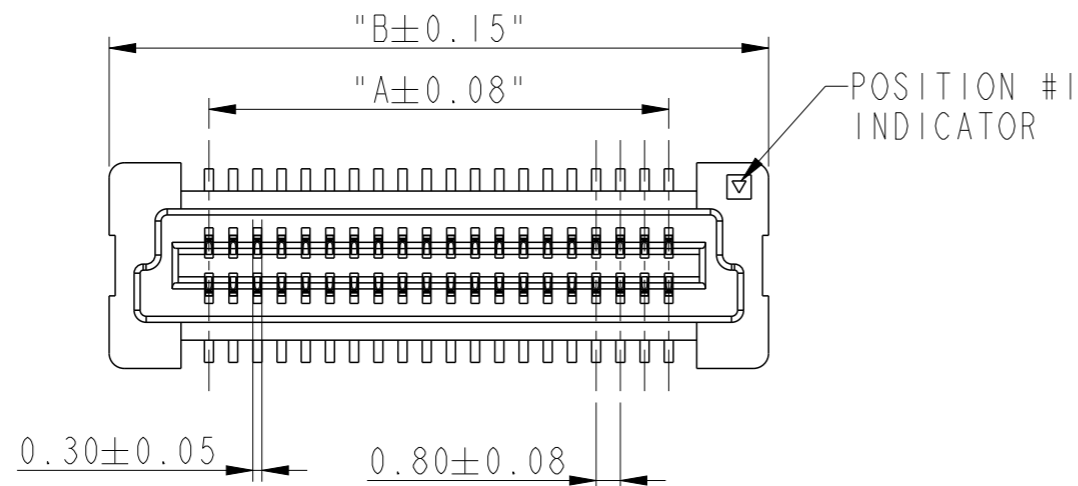
DETAIL G



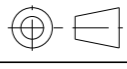

COPLANARITY OF TAIL
0.1 MAX APPLIED TO 2X20 TO 2X70 POS.
0.13 MAX APPLIED TO 2X80 TO 2X100 POS.

HIGH PRECISION COPLANARITY IS AVAILABLE FOR 2X80 TO 2X100 POS.
PLS REFER TO PRINT 10069524.

DETAIL C
SCALE 8:1



RECEPTACLE 2

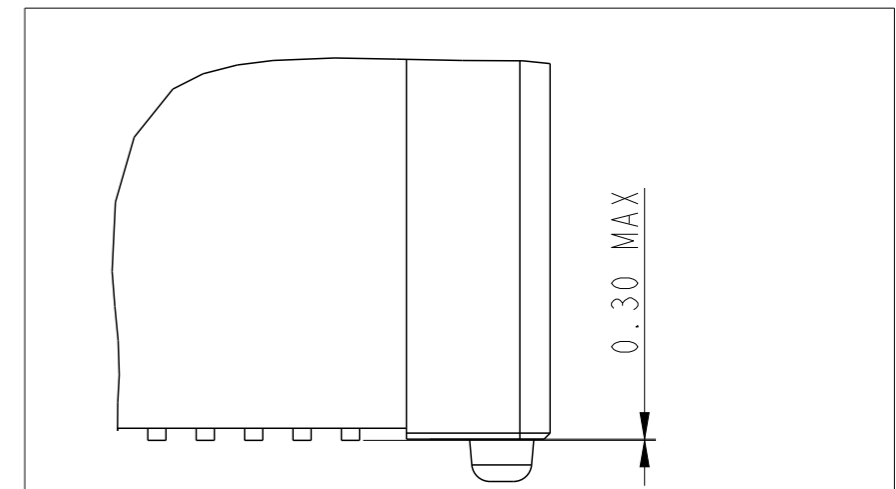
| | | | | | | | | | |
|-------------|----------------|------------|---|-----|------------------------|---------------------------------|-----------|----------|----|
| dr | Matthew Cheong | 2009/06/09 | projection | MM | size | A3 | scale | 3:1 | |
| eng | Jim Meng | 2015/03/25 |  | ← → | ecn no | ELX-N-20397-1 | | | |
| chr | - | - | | | product family | - | rel level | Released | |
| appr | Tim Yao | 2015/04/02 |  | | title | BERGSTAK 0.8MM RECEPTACLE ASS'Y | | rev | AD |
| www.fci.com | | cat. no. | - | | Product - Customer Drw | sheet 4 of 7 | | | |

| PRODUCT NO. | NUMBER OF POSITIONS | DIMENSION | | |
|--------------|---------------------|-----------|------|------|
| | | A | B | C |
| 61082-043*** | 2X20 | 15.2 | 21.8 | 20.2 |
| 61082-063*** | 2X30 | 23.2 | 29.8 | 28.2 |
| 61082-083*** | 2X40 | 31.2 | 37.8 | 36.2 |
| 61082-103*** | 2X50 | 39.2 | 45.8 | 44.2 |
| 61082-123*** | 2X60 | 47.2 | 53.8 | 52.2 |
| 61082-143*** | 2X70 | 55.2 | 61.8 | 60.2 |
| 61082-163*** | 2X80 | 63.2 | 69.8 | 68.2 |
| 61082-183*** | 2X90 | 71.2 | 77.8 | 76.2 |
| 61082-203*** | 2X100 | 79.2 | 85.8 | 84.2 |

DATE CODE: XXXXXX

DAY(01~31)
MONTH(01~12)
YEAR(00~99)

DETAIL H



COPLANARITY OF TAIL
0.1 MAX APPLIED TO 2X20 TO 2X70 POS
0.13 MAX APPLIED TO 2X80 TO 2X100 POS.

HIGH PRECISION COPLANARITY IS AVAILABLE FOR 2X80 TO 2X100 POS.
PLS REFER TO PRINT 10069524.

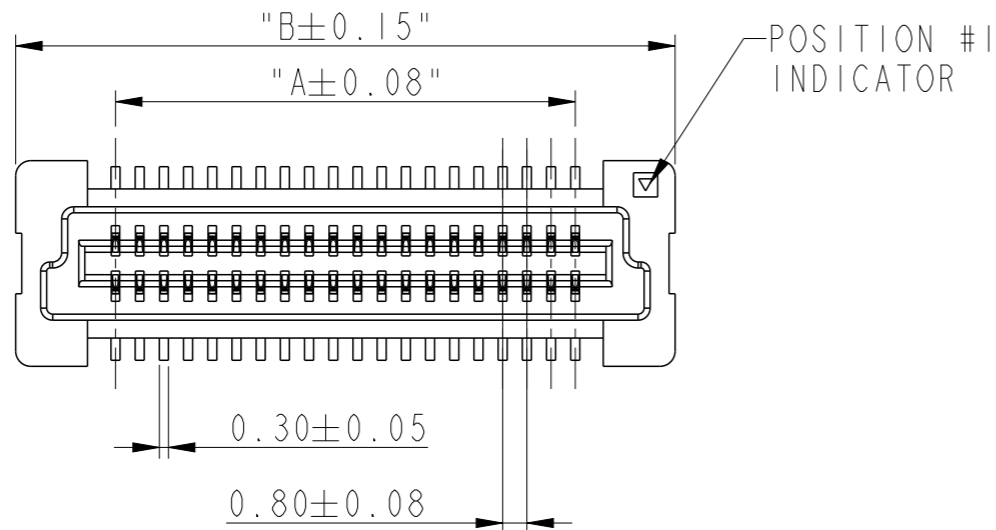
DETAIL E
SCALE 8:1

A

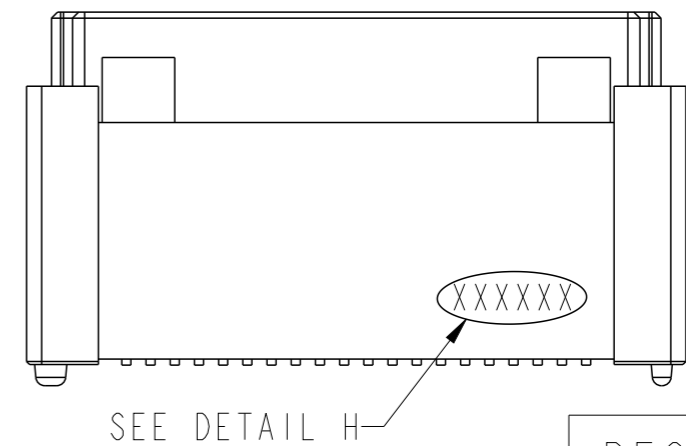
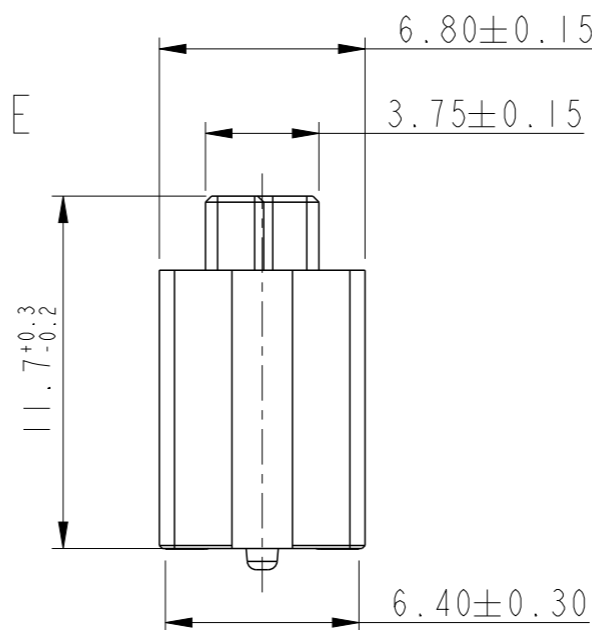
A

B

B



SEE DETAIL E



SEE DETAIL H

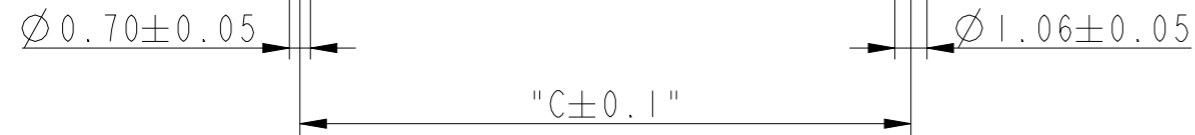
RECEPTACLE 3

C

C

D

D



| | | | | | | | | |
|------|----------------|------------|------------|----|------------------------|----------------|--------------|----------|
| dr | Matthew Cheong | 2009/06/09 | projection | MM | size | A3 | scale | 3:1 |
| eng | Jim Meng | 2015/03/25 | | | ecn no | ELX-N-20397-1 | | |
| chr | - | - | | | product family | - | rel level | Released |
| appr | Tim Yao | 2015/04/02 | | | cat. no. | BERGSTAK 0.8MM | | rev |
| | | | | | dwg no | 61082 | | AD |
| | | | | | Product - Customer Drw | | sheet 5 of 7 | |



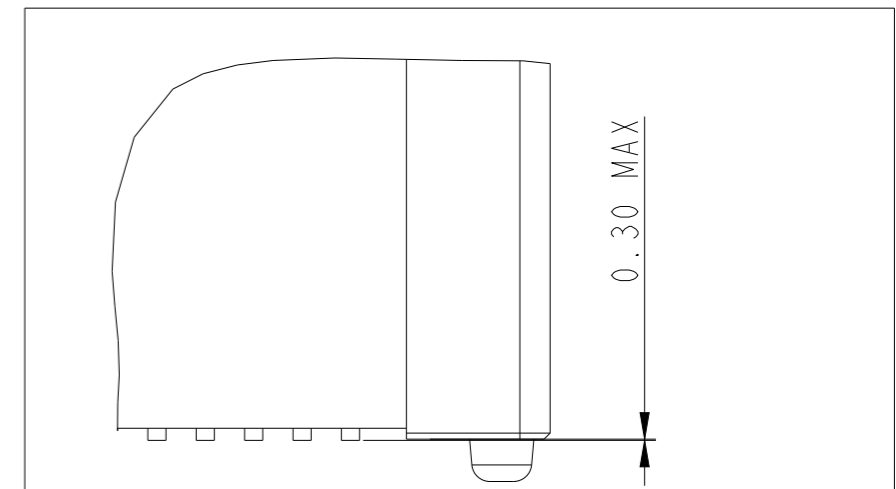
Copyright FCI.

| PRODUCT NO. | NUMBER OF POSITIONS | DIMENSION | | |
|--------------|---------------------|-----------|------|------|
| | | A | B | C |
| 61082-024*** | 2X10 | 7.2 | 13.8 | 12.2 |
| 61082-044*** | 2X20 | 15.2 | 21.8 | 20.2 |
| 61082-064*** | 2X30 | 23.2 | 29.8 | 28.2 |
| 61082-084*** | 2X40 | 31.2 | 37.8 | 36.2 |
| 61082-104*** | 2X50 | 39.2 | 45.8 | 44.2 |
| 61082-124*** | 2X60 | 47.2 | 53.8 | 52.2 |
| 61082-144*** | 2X70 | 55.2 | 61.8 | 60.2 |
| 61082-164*** | 2X80 | 63.2 | 69.8 | 68.2 |
| 61082-184*** | 2X90 | 71.2 | 77.8 | 76.2 |
| 61082-204*** | 2X100 | 79.2 | 85.8 | 84.2 |

DATE CODE: XXXXXX

DAY(01~31)
MONTH(01~12)
YEAR(00~99)

DETAIL K



COPLANARITY OF TAIL
0.1 MAX APPLIED TO 2X20 TO 2X70 POS
0.13 MAX APPLIED TO 2X80 TO 2X100 POS.

HIGH PRECISION COPLANARITY IS AVAILABLE FOR 2X80 TO 2X100 POS.
PLS REFER TO PRINT 10069524.

DETAIL J
SCALE 8:1

A

B

C

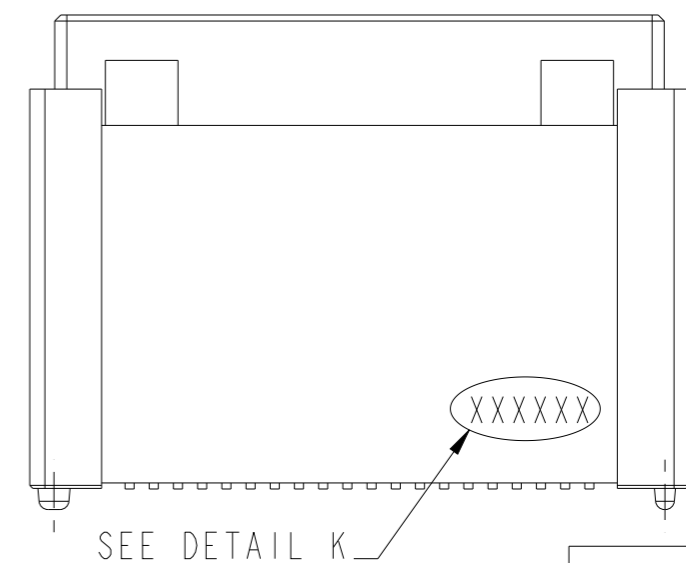
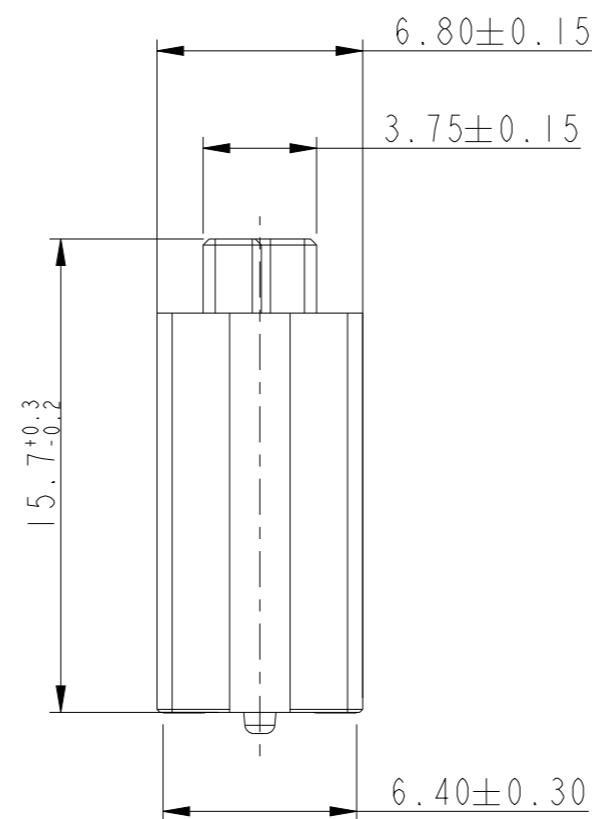
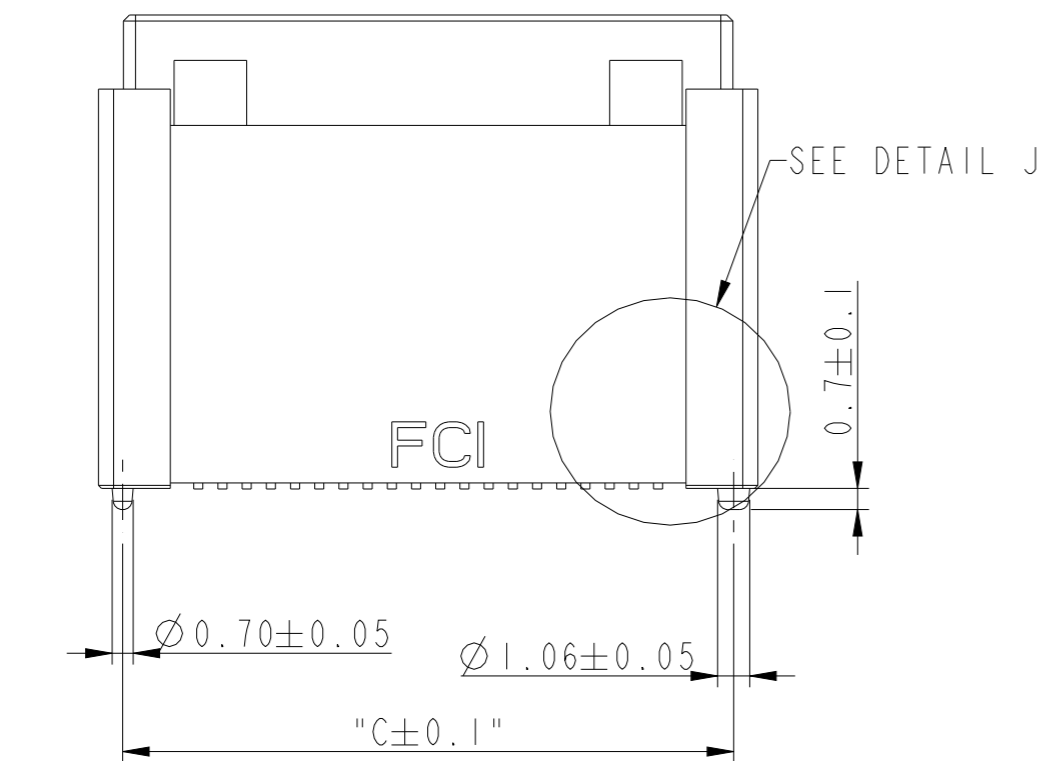
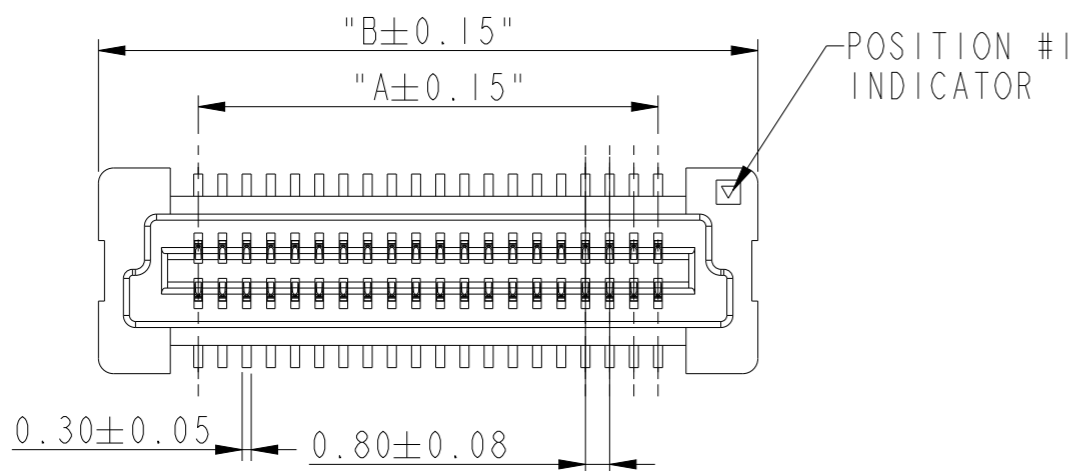
D

A

B

C

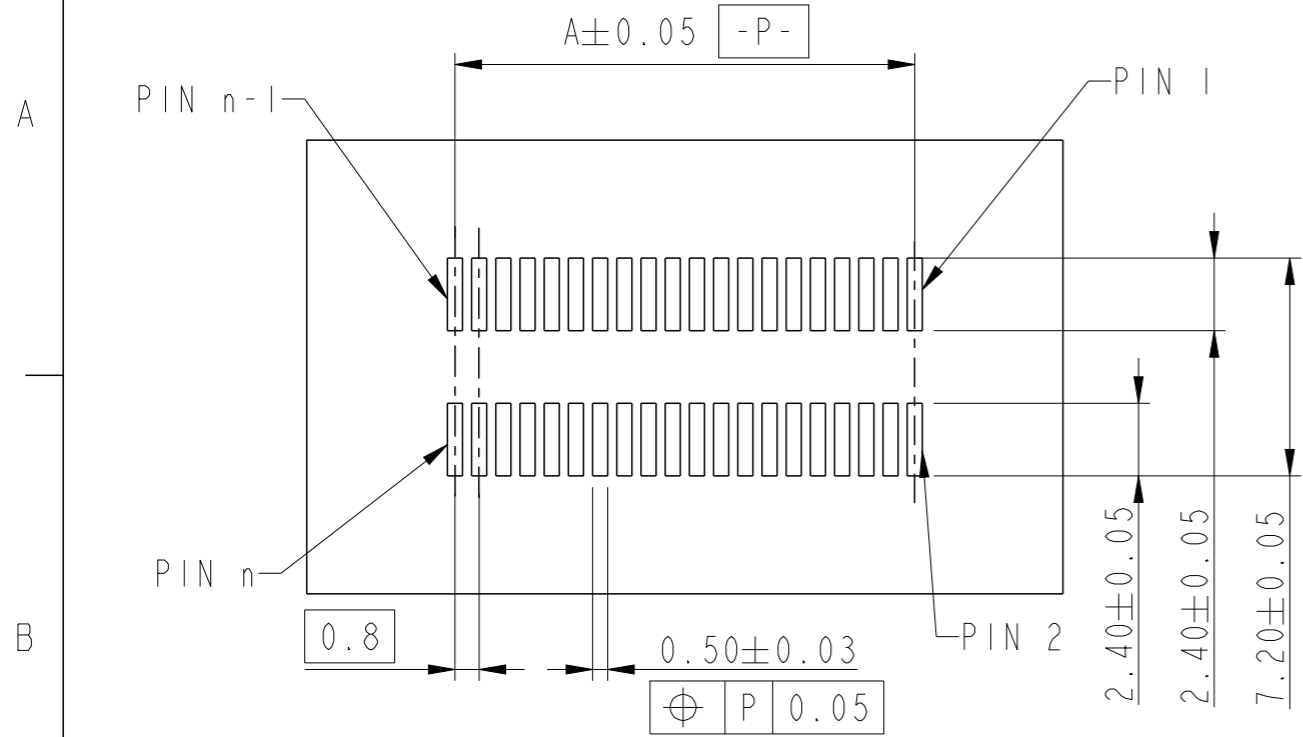
D



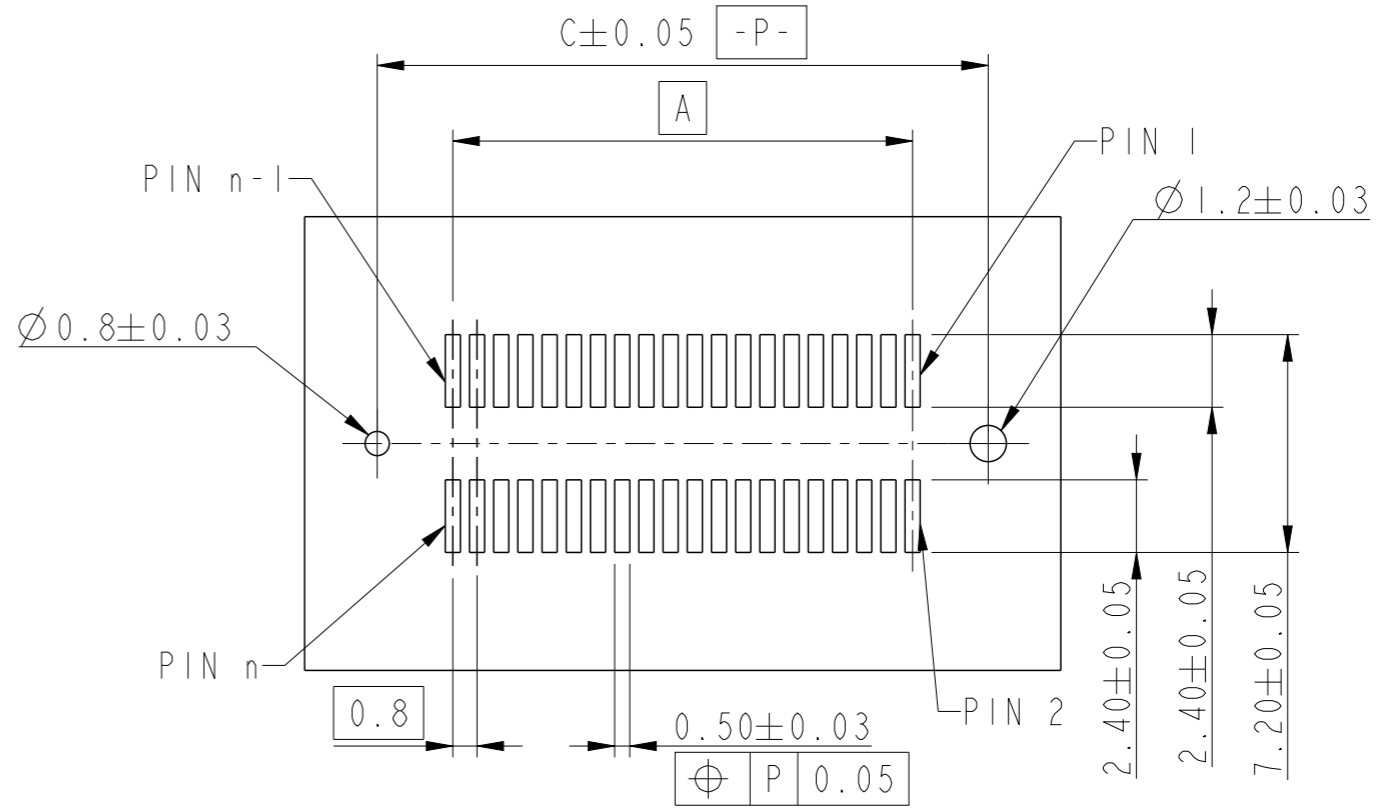
RECEPTACLE 4

| | | | | | | | | |
|-------------|----------------|------------|---------------------------------|----|----------------|------------------------|-----------|--------------|
| dr | Matthew Cheong | 2009/06/09 | projection | MM | size | A3 | scale | 3:1 |
| eng | Jim Meng | 2015/03/25 | | | ecn no | ELX-N-20397-1 | | |
| chr | - | - | | | product family | - | rel level | Released |
| appr | Tim Yao | 2015/04/02 | | | | dwg no | 61082 | rev |
| www.fci.com | | | BERGSTAK 0.8MM RECEPTACLE ASS'Y | | | AD | | |
| cat. no. | | | - | | | Product - Customer Drw | | sheet 6 of 7 |

RECEPTACLE 2 & 3 & 4



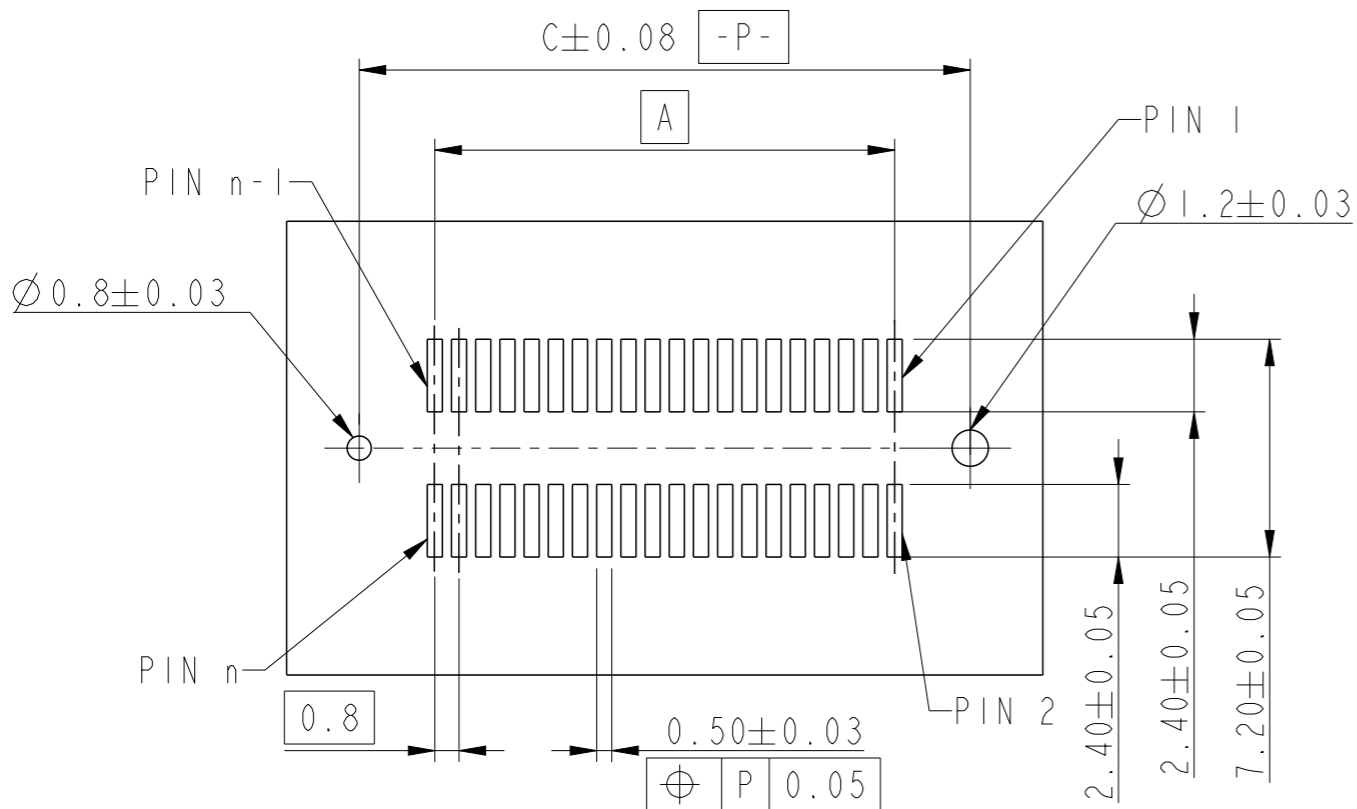
RECOMMENDED PCB LAYOUT WITHOUT PEGS AND HOLDDOWN



RECOMMENDED PCB LAYOUT WITH PEGS
FOR NO. OF POSITION 2X20, 2X30, 2X40, 2X50, 2X60



Copyright FCI.



RECOMMENDED PCB LAYOUT WITH PEGS
FOR NO. OF POSITION 2X70, 2X80, 2X90, 2X100

| | | | | | | | | |
|-------------|----------------|------------|--|----|-----------|--------------|------------------------|--------|
| dr | Matthew Cheong | 2009/06/09 | projection | MM | size | A3 | scale | 3:1 |
| eng | Jim Meng | 2015/03/25 | | | ecn no | | ELX-N-20397-1 | |
| chr | - | - | | | rel level | | Released | |
| appr | Tim Yao | 2015/04/02 | product family | | - | | - | |
| | | | title BERGSTAK 0.8MM RECEPTACLE ASS'Y | | | dwg no 61082 | | rev AD |
| www.fci.com | | | cat. no. | | - | | Product - Customer Drw | |
| - | | | - | | - | | sheet 7 of 7 | |