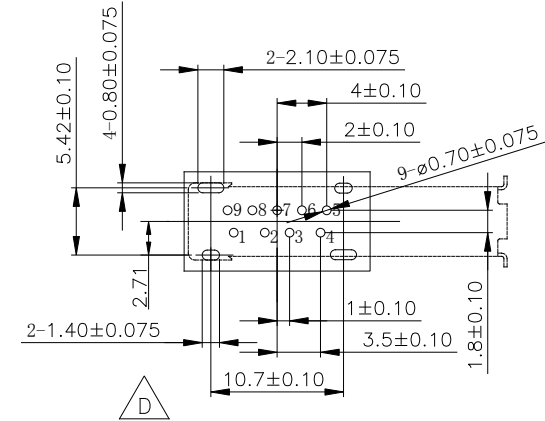
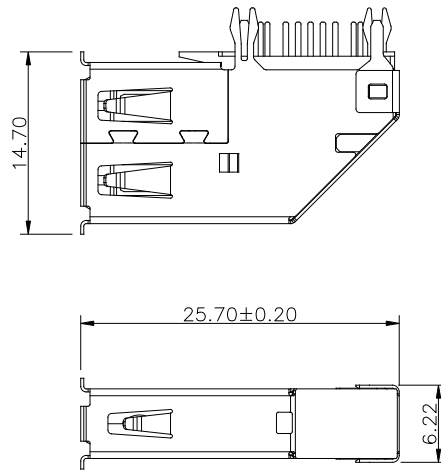
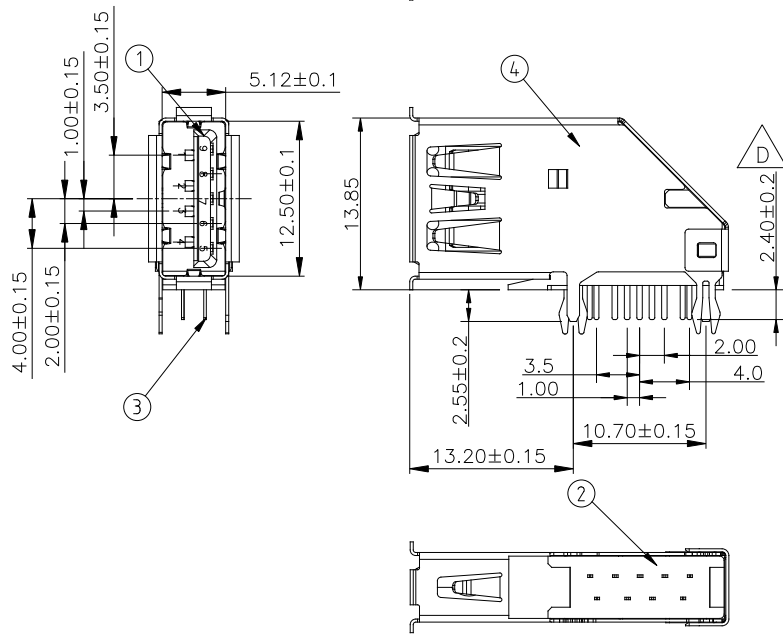


PRODUCT NUMBER
10132411-000XXLF

Pin Number	Signal Name	Pin Number	Signal Name
1	VBUS	5	SSRX-
2	D-	6	SSRX+
3	D+	7	GND
4	GND	8	SSTX-
Shell	Shield	9	SSTX+



PCB HOLES(TOP VIEW)
NOTE: GENERAL TOLERANCE: ±0.05mm



- NOTE:
1. PRODUCT SPECIFICATION: GS-12-1263.
 2. PACKAGE SPECIFICATION: GS-14-2422.
 3. THE HOUSING WILL WITHSTAND EXPOSURE TO 260°C PEAK TEMPERATURE FOR 10 SEC. IN A WAVE SOLDERING APPLICATION.
 4. PART NUMBER:
10132411-000 X X LF
PLATING: _____ PACKAGE:
1: G/F ON CONTACT 1: TRAY
2: 30u" Au ON CONTACT

NO.	PART NAME	TER'NO.	QTY.	MATERIAL	REMARK
④	SHELL	1	1	SUS	Ni-PLATED
③	TERMINAL	9	1	COPPER ALLOY	AU/Sn-PLATED
②	COVER	1	1	HIGH TEMP. THERMOPLASTIC, UL 94V-0	BLUE
①	HOUSING	1	1	HIGH TEMP. THERMOPLASTIC, UL 94V-0	BLUE

mat'l. code		surface	tolerance	projection	product family
					USB 3.0
ltr	ecn no	dr	date	title	
A		TAI	2014-11-20	USB 3.0 REC. CONN.	
B	ELX-T-23257	TAI	2016-02-15	TYPE A, UPRIGHT, THROUGH HOLE	
C	ELX-T-24886	TAI	2016-09-05	scale N.T.S.	
D	ELX-T-26115	TAI	2017-02-17	dwg no 10132411 sheet 1 of 1 size A4	
sheet index		revision	D	type Product Customer Drawing	
1		sheet	1		