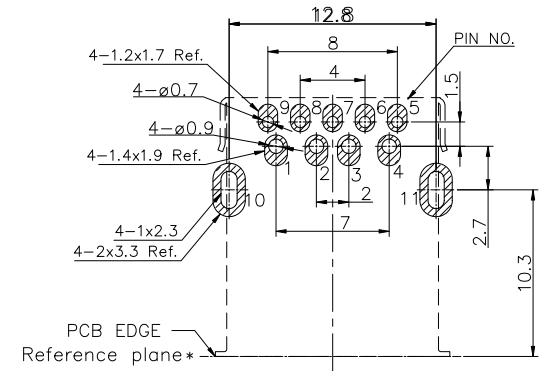
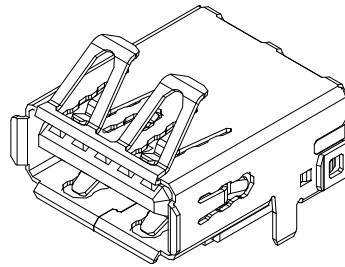
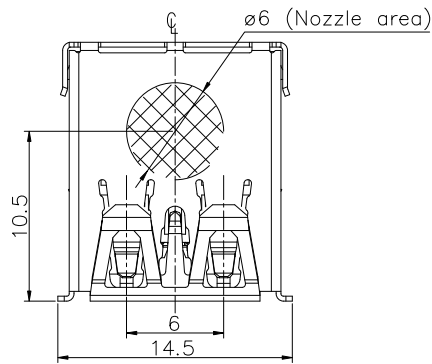
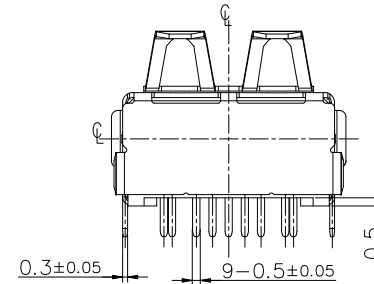
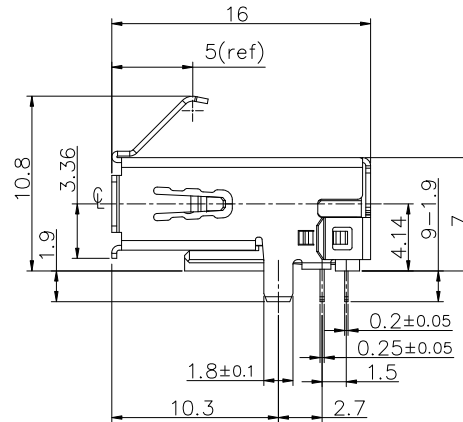
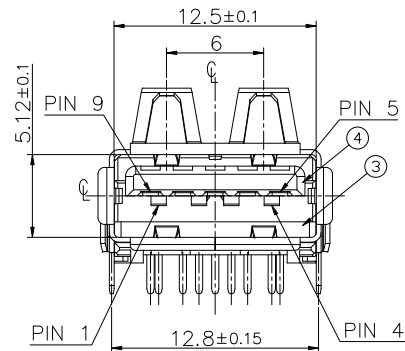


PRODUCT NUMBER  
10132425-000XXLF

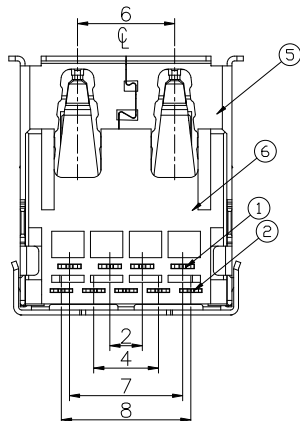


RECOMMENDED PCB LAYOUT (TOP VIEW)  
GENERAL TOLERANCE±0.05mm(T=1.2/1.6mm)



NOTE:

1. PRODUCT SPECIFICATION: GS-12-1273.
2. PACKAGE SPECIFICATION: GS-14-2423.
3. THE HOUSING WILL WITHSTAND EXPOSURE TO 260°C PEAK TEMPERATURE FOR 5 SEC. IN A CONVECTION REFLOW OVEN.
4. PART NUMBER:  
10132425-000 X X LF  
PLATING: 1: G/F ON CONTACT 2: 30u" Au ON CONTACT  
PACKAGE: 1: TAPE & REEL



Pin No.	Signal Name	Pin No.	Signal Name
1	VBUS	5	SSRX-
2	D-	6	SSRX+
3	D+	7	GND
4	GND	8	SSTX-
SHELL	SHIELD	9	SSTX+

NO.	PART NAME	TER'NO.	QTY.	MATERIAL	REMARK
⑥	COVER		1PCS	HIGH TEMP. THERMOPLASTIC, BLACK	UL94V-0
⑤	SHELL	10,11	1PCS	STAINLESS STEEL.	Ni 1.0um Min.
④	5 PIN MOLDING		1PCS	HIGH TEMP. THERMOPLASTIC, BLUE	UL94V-0
③	4 PIN MOLDING		1PCS	HIGH TEMP. THERMOPLASTIC, BLUE	UL94V-0
②	5 PIN CONTACT	5~9	1SET	COPPER ALLOY.	Under Plating: Ni 1.0um Min. Contact Plating: Options
①	4 PIN CONTACT	1~4	1SET	COPPER ALLOY.	Soldering Plating: Sn 2um Min.

mat'l. code		surface	tolerance	projection	product family
ltr		tolerances unless otherwise specified			USB 3.0
ecn no	dr	date	angles		title
A		TAI	2014-11-20	16<L≤63 ±0.4	USB 3.0 REC. CONN.
				4<L≤16 ±0.3	TYPE A, R/A THROUGH HOLE
				X°±5°	scale
				L≤4 ±0.2	dwg no
		dr	KENNY TAI	2014-11-20	sheet 1 of 1
		enrg	KENNY TAI	2014-11-20	size
		chr	KENNY TAI	2014-11-20	10132425
		appd	PM ZHENG	2014-11-20	type
					CUSTOMER Drawing

sheet index	revision	A													
	sheet	1													