

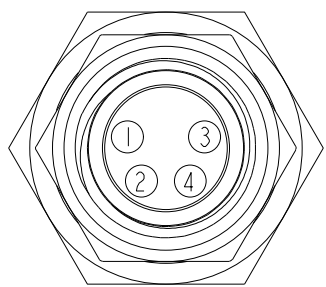
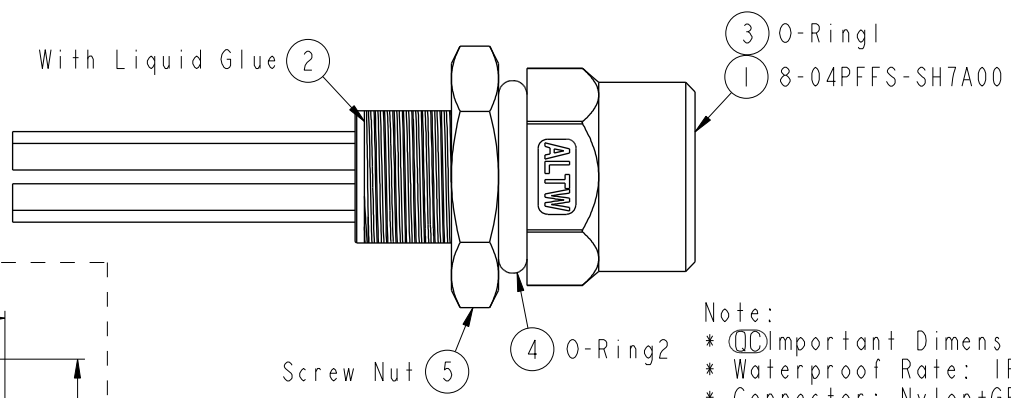
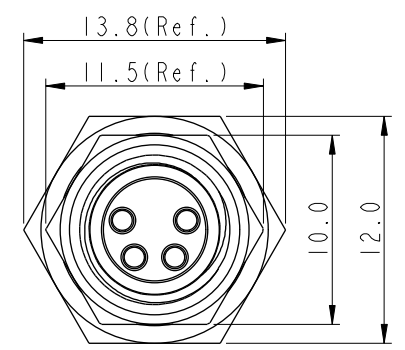
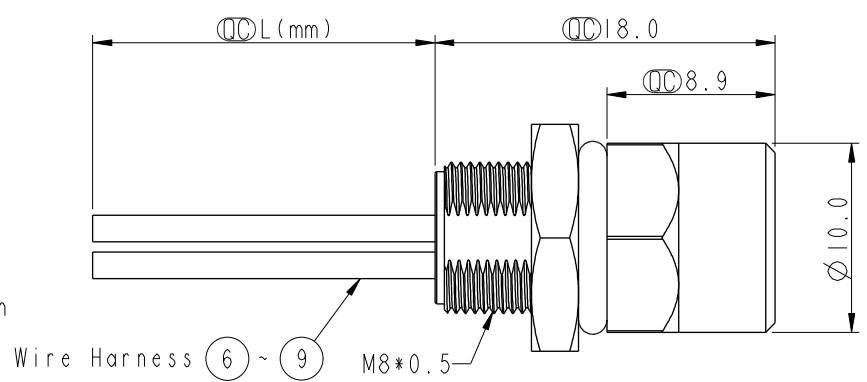
THIS DOCUMENT IS SUBJECT TO CHANGE WITHOUT NOTICE. IT IS CONFIDENTIAL AND A PROPERTY OF Amphenol LTW. DISCLOSURE TO THIRD PARTY HAS TO BE AUTHORIZED BY Amphenol LTW.

REV.	ECN NO.	DATE	SIGN	DESCRIPTION
B	LE31410403~05	2014-01-09	Tony_leng	Change Ball No. & Wire Length
C	E191630	2019-09-18	Ruru	Update Wire Tolerance

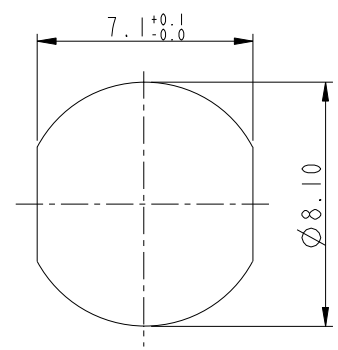
8-04PFFS-SH7AXX

15: 150mm
20: 200mm
↓
95: 950mm
Cable Pitch Unit=50mm

A0: 1000mm
↓
A5: 1500mm
Cable Pitch Unit=100mm
Wire Length (L): 150~1500 mm



Pin Assignment Front View



Recommended Panel Cut-Out

4	Black	黑
3	Blue	藍
2	White	白
1	Brown	棕
Conn.	Wire Color	
	Pin Out	

Note:
 * Important Dimension.
 * Waterproof Rate: IP67
 * Connector: Nylon+GF, Black
 * Female Pin: Copper Alloy, Gold Plated
 * Shield: Zinc Alloy, Nickel Plated
 * Nut: Copper Alloy, Nickel Plated
 * O-Ring1: VITON, Green
 * O-Ring2: EPDM, Black
 * Wire Harness: UL1007, 24AWG
 * For Panel Thickness Max 4.5mm
 * Nut Torque: 4-6 kgf.cm
 * Wire harness Tolerance: 150~300±15mm
 301~1000±20mm
 Over1000 ±50/-0mm

UNIT: mm		TITLE			ITEM NO.	DRAWN BY	DATE
		M8 Panel With Wire Harness				Ruru	2019-09-18
TOLERANCE		SCALE	SIZE	SHEET	DWG NO.	CHECKED BY	DATE
.X ±0.25		1:1	A4	1 OF 1	8-04PFFS-SH7AXX	Rita	2019-09-18
.XX ±0.1		REV.	WC-REV.	Inspection item	CUSTOMER	APPROVED BY	DATE
.XXX ±0.05		C	B.2		ALTW	Max	2019-09-18
ANGLES ±1°							

Amphenol LTW
安費諾亮泰企業股份有限公司