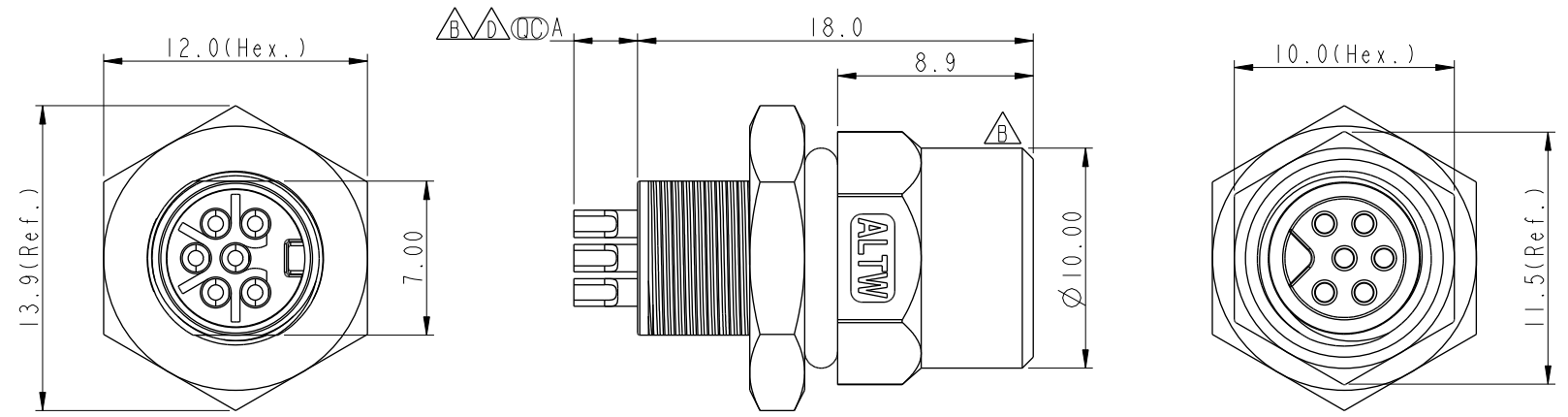
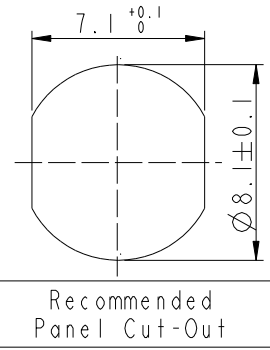


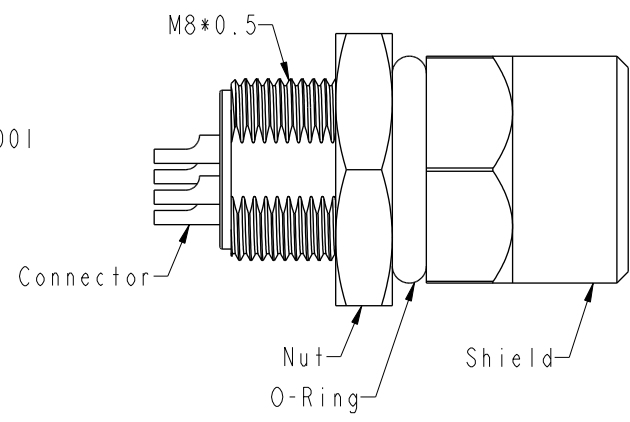
THIS DOCUMENT IS SUBJECT TO CHANGE WITHOUT NOTICE. IT IS CONFIDENTIAL AND A PROPERTY OF AMPHENOL LTW. DISCLOSURE TO THIRD PARTY HAS TO BE AUTHORIZED BY AMPHENOL LTW.

REV.	ECN NO.	DATE	SIGN	DESCRIPTION
B	LE31850075	2018/05/07	Ethan	Update Drawing
C	C210686	2021/05/10	Vicky	△C X5
D	C220054	2022/01/11	Vicky	△D X2

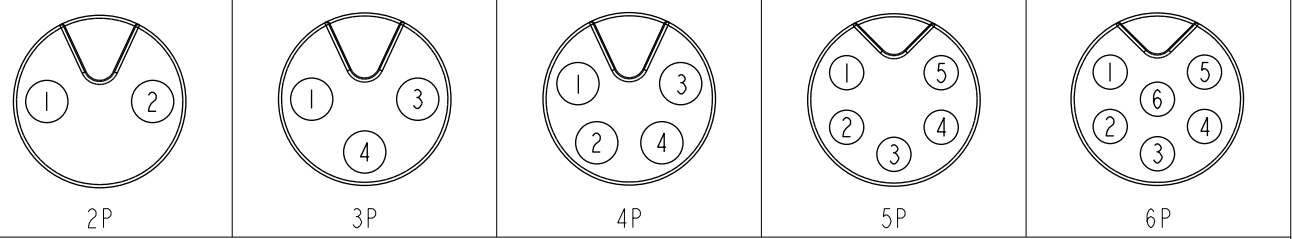


Item No.	A
8A-02PFFS-SH7001	3.0
8A-03PFFS-SH7001	3.0
8A-04PFFS-SH7001	3.0
8A-05PFFS-SH7001	2.9
8A-06PFFS-SH7001	2.9

△D 8A-XXPFFS-SH7001
 XX: No. Of Pin



- △C Note:
- * RoHS Compliant
 - * (C) Important dimension
 - * Waterproof rate: IPX7, unmated
 - * Connector Housing: Thermoplastic, Black
 - * Pin: Copper alloy, Gold plated
 - * O-Ring: Rubber, Green
 - * Shield: Metal
 - * Nut: Metal
 - * O-Ring: Rubber, Black
 - * For panel thickness max: 4.5mm
 - * Nut is packed separately in pe bag



△C Pin Assignments Front View

UNIT: mm			TITLE O SEN, M8 W/KEY RECEPTACLE, F, F, SOLDER
TOLERANCE .X ±0.25 .XX ±0.1 .XXX ±0.05 ANGLES ±1°	SCALE 3:1	SIZE A4	SHEET 1 OF 1
REV. D	WC-REV. A.4	(C) Inspection item	

Amphenol LTW
 安費諾亮泰企業股份有限公司

ITEM NO. 8A-XXPFFS-SH7001	DWG NO. ALTW	DRAWN BY Ethan	DATE 2018-05-07
CUSTOMER	APPROVED BY Jerry	CHECKED BY Feng-Li	DATE 2018-05-07
			DATE 2018-05-07