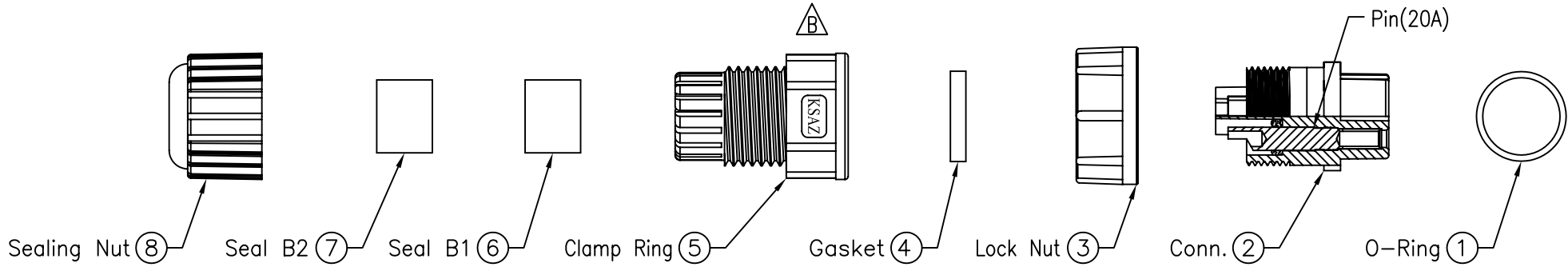
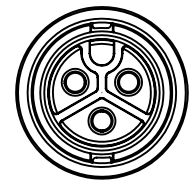
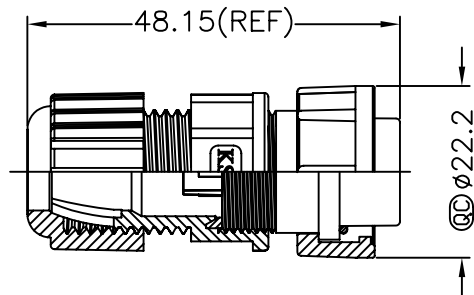


REV.	ECN NO.	DATE	SIGN	DESCRIPTION
A	Initial Release	2012/04/26	Mafei	Change Rev.01 To Rev.A
B	LEN1270166	2012/07/18	Mafei	Change The Logo 'KSAZ'



ALTW
DCC. DEPT.
CONFIDENTIAL
2012.07.31
ISSUED



Conn.

- Note:
- * @C Important Dimensions To Check.
 - * Waterproof Rate:IP67.
 - * Housing:Nylon+GF,Black.
 - * Female Pin:Copper Alloy,TIN Plated.
 - * O-Ring:EPDM,Black.
 - * Lock Nut:Nylon+GF,Black.
 - * Gasket:EPDM,Black.
 - * Clamp Ring:Nylon66,Black.
 - * Sealing Nut:Nylon+GF,Black.
 - * Seal B1 For Cable OD:Ø7.6mm~9.6mm.
 - * Seal B2 For Cable OD:Ø4.0mm~7.6mm.
 - * One Set Unassembled In One PE Bag.



Pin Assignments
Front View

ALTW
CONFIDENTIAL
2012.04.26
R&D DEPT.

UNIT:mm	
TOLERANCE	
±0.5mm	

TITLE Power, Assy Lock 3Pins F Conn. F Pin 20Amps			
SCALE Free	SHEET 1 OF 1		
REV. B	SIZE A4	@C :Inspection Item	

Amphenol LTW
安費諾亮泰企業股份有限公司

ITEM NO KSAPWC-03BFFA-LL7001
DWG NO KSAPWC-03BFFA-LL7001
CUSTOMER ALTW

DRAWN BY Mafei
CHECKED BY Dominic
APPROVED BY Win

DATE 2012/07/18
DATE 2012/07/18
DATE 2012/07/18

THIS DOCUMENT IS SUBJECT TO CHANGE WITHOUT NOTICE. IT IS CONFIDENTIAL AND A PROPERTY OF Amphenol LTW. DISCLOSURE TO THIRD PARTY HAS TO BE AUTHORIZED BY Amphenol LTW.