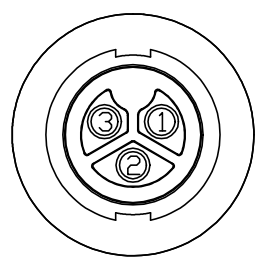
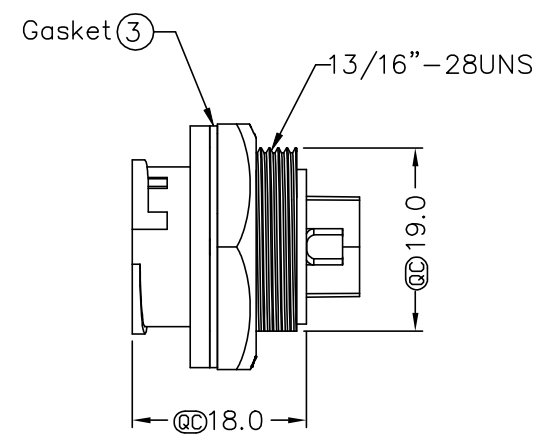
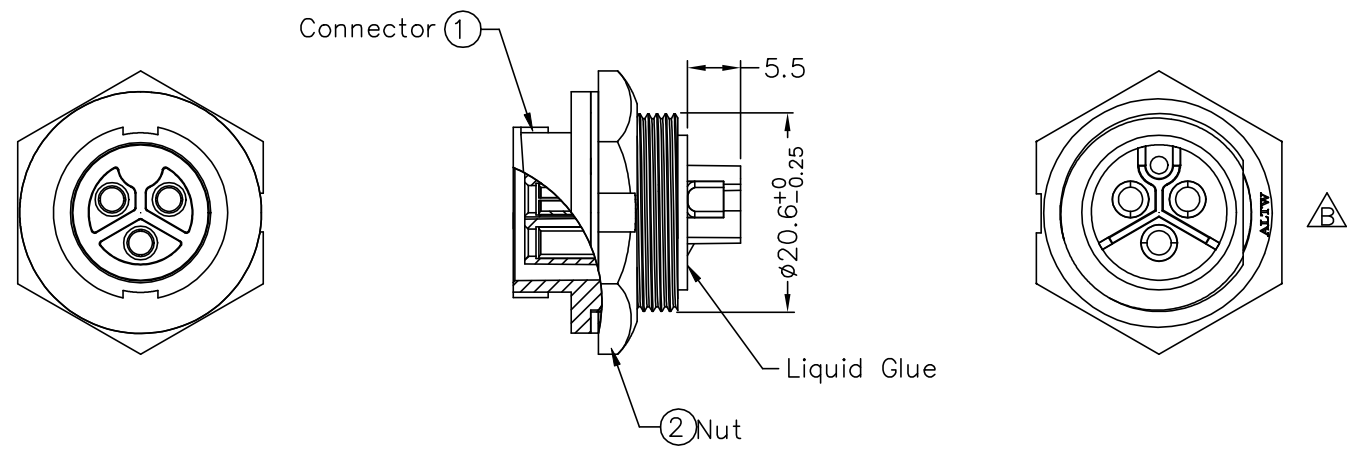
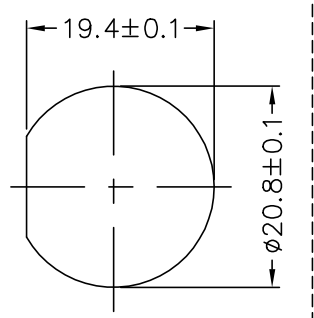


REV.	ECN NO.	DATE	SIGN	DESCRIPTION
A	Initial Release	2012/05/02	Xiaoyun	Change Rev.01 To Rev.A
B	C200524	2020/04/21	Vicky	△B*5



Pin Assignments
Front View



Recommended
Panel Cut-Out

- Note:
- * @C Important Dimension To Check.
 - △B * Waterproof Rate: IP67, Unmated
 - △B * Connector: Thermoplastic, Black
 - * Female Pin: Copper Alloy, Tin Plated
 - △B * Gasket: Rubber, Black
 - * Maximum Panel Thickness: 4.5mm

UNIT: mm		TITLE PWR, 20A, 03P, REAR FASTENED M, F, SOLDER, 2LOCK		Amphenol LTW	ITEM NO KSAPWC-03RMFS-LC7001	DRAWN BY Xiaoyun	DATE 2012/05/02
TOLERANCE $\pm 0.5\text{mm}$	SCALE Free	SHEET 1 OF 1	安費諾亮泰企業股份有限公司	DWG NO KSAPWC-03RMFS-LC7001	CHECKED BY Dominic	DATE 2012/05/02	DATE 2012/05/02
REV. B	SIZE A4	@C : Inspection Item		CUSTOMER ALTW	APPROVED BY Win	DATE 2012/05/02	8 FMW0702-01-01A2

THIS DOCUMENT IS SUBJECT TO CHANGE WITHOUT NOTICE. IT IS CONFIDENTIAL AND A PROPERTY OF Amphenol LTW. DISCLOSURE TO THIRD PARTY HAS TO BE AUTHORIZED BY Amphenol LTW.