

## SNx5HVD308xE Low-Power RS-485 Transceivers, Available in a Small MSOP-8 Package

### 1 Features

- Available in a Small MSOP-8 Package
- Meets or Exceeds the Requirements of the TIA/EIA-485A Standard
- Low Quiescent Power
  - 0.3-mA Active Mode
  - 1-nA Shutdown Mode
- 1/8 Unit Load up to 256 Nodes on a Bus
- Bus-Pin ESD Protection up to 15 kV
- Industry-Standard SN75176 Footprint
- Failsafe Receiver (Bus Open, Bus Shorted, Bus Idle)
- Glitch-Free Power-Up and Power-Down Bus Inputs and Outputs

### 2 Applications

- Energy Meter Networks
- Motor Control
- Power Inverters
- Industrial Automation
- Building Automation Networks
- Battery-Powered Applications
- Telecommunications Equipment

### 3 Description

The SNx5HVD308xE devices are half-duplex transceivers designed for RS-485 data bus networks. Powered by a 5-V supply, they are fully compliant with TIA/EIA-485A standard. With controlled transition times, these devices are suitable for transmitting data over long twisted-pair cables. SN65HVD3082E and SN75HVD3082E devices are optimized for signaling rates up to 200 kbps. The SN65HVD3085E device is suitable for data transmission up to 1 Mbps, whereas the SN65HVD3088E device is suitable for applications that require signaling rates up to 20 Mbps.

These devices are designed to operate with very low supply current, typically 0.3 mA, exclusive of the load. When in the inactive-shutdown mode, the supply current drops to a few nanoamps, which makes these devices ideal for power-sensitive applications.

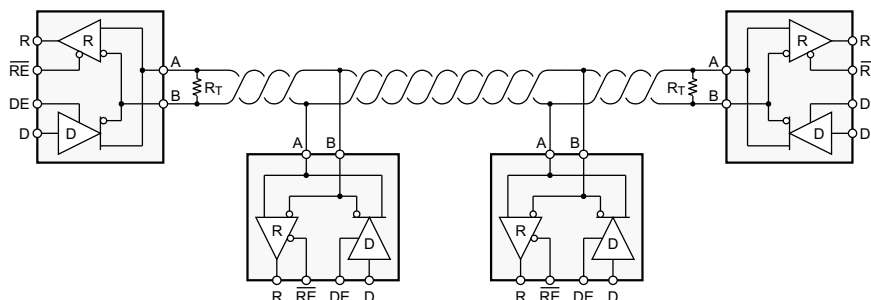
The wide common-mode range and high ESD-protection levels of these devices makes them suitable for demanding applications such as energy meter networks, electrical inverters, status and command signals across telecom racks, cabled chassis interconnects, and industrial automation networks where noise tolerance is essential. These devices match the industry-standard footprint of the SN75176 device. Power-on-reset circuits keep the outputs in a high-impedance state until the supply voltage has stabilized. A thermal-shutdown function protects the device from damage due to system fault conditions. The SN75HVD3082E is characterized for operation from 0°C to 70°C and SN65HVD308xE are characterized for operation from –40°C to +85°C air temperature.

#### Device Information<sup>(1)</sup>

| PART NUMBER                  | PACKAGE   | BODY SIZE (NOM)   |
|------------------------------|-----------|-------------------|
| SN65HVD3082E<br>SH65HVD3088E | SOIC (8)  | 4.90 mm × 3.91 mm |
|                              | VSSOP (8) | 3.00 mm × 3.00 mm |
|                              | PDIP (8)  | 9.81 mm × 6.35 mm |
| SN75HVD3082E<br>SN65HVD3085E | SOIC (8)  | 4.90 mm × 3.91 mm |
|                              | VSSOP (8) | 3.00 mm × 3.00 mm |

(1) For all available packages, see the orderable addendum at the end of the data sheet.

#### Simplified Schematic



## Table of Contents

|          |  |           |           |   |           |
|----------|--|-----------|-----------|---|-----------|
| <b>1</b> | <b>Features</b> .....                          | <b>1</b>  | 8.2       | Functional Block Diagram .....                                | <b>15</b> |
| <b>2</b> | <b>Applications</b> .....                      | <b>1</b>  | 8.3       | Feature Description .....                                     | <b>15</b> |
| <b>3</b> | <b>Description</b> .....                       | <b>1</b>  | 8.4       | Device Functional Modes .....                                 | <b>15</b> |
| <b>4</b> | <b>Revision History</b> .....                  | <b>2</b>  | <b>9</b>  | <b>Application and Implementation</b> .....                   | <b>17</b> |
| <b>5</b> | <b>Pin Configuration and Functions</b> .....   | <b>3</b>  | 9.1       | Application Information .....                                 | <b>17</b> |
| <b>6</b> | <b>Specifications</b> .....                    | <b>3</b>  | 9.2       | Typical Application .....                                     | <b>17</b> |
| 6.1      | Absolute Maximum Ratings .....                 | <b>3</b>  | <b>10</b> | <b>Power Supply Recommendations</b> .....                     | <b>21</b> |
| 6.2      | ESD Ratings .....                              | <b>3</b>  | <b>11</b> | <b>Layout</b> .....   | <b>21</b> |
| 6.3      | Recommended Operating Conditions .....         | <b>4</b>  | 11.1      | Layout Guidelines .....                                       | <b>21</b> |
| 6.4      | Thermal Information .....                      | <b>4</b>  | 11.2      | Layout Example .....  | <b>21</b> |
| 6.5      | Electrical Characteristics: Driver .....       | <b>5</b>  | 11.3      | Thermal Considerations for IC Packages .....                  | <b>22</b> |
| 6.6      | Electrical Characteristics: Receiver .....     | <b>5</b>  | <b>12</b> | <b>Device and Documentation Support</b> .....                 | <b>23</b> |
| 6.7      | Power Characteristics .....                    | <b>6</b>  | 12.1      | Device Support .....  | <b>23</b> |
| 6.8      | Switching Characteristics: Driver .....        | <b>6</b>  | 12.2      | Related Links .....   | <b>23</b> |
| 6.9      | Switching Characteristics: Receiver .....      | <b>7</b>  | 12.3      | Community Resources .....                                     | <b>23</b> |
| 6.10     | Typical Characteristics .....                  | <b>8</b>  | 12.4      | Trademarks .....  | <b>23</b> |
| <b>7</b> | <b>Parameter Measurement Information</b> ..... | <b>10</b> | 12.5      | Electrostatic Discharge Caution .....                         | <b>23</b> |
| <b>8</b> | <b>Detailed Description</b> .....              | <b>15</b> | 12.6      | Glossary .....  | <b>23</b> |
| 8.1      | Overview .....                                 | <b>15</b> | <b>13</b> | <b>Mechanical, Packaging, and Orderable Information</b> ..... | <b>23</b> |

## 4 Revision History

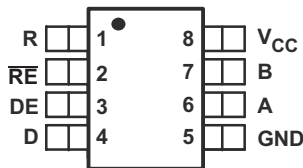
NOTE: Page numbers for previous revisions may differ from page numbers in the current version.

| Changes from Revision G (May 2009) to Revision H   | Page     |
|--|----------|
| • Added <i>Pin Configuration and Functions</i> section, <i>ESD Ratings</i> table, <i>Feature Description</i> section, <i>Device Functional Modes</i> , <i>Application and Implementation</i> section, <i>Power Supply Recommendations</i> section, <i>Layout</i> section, <i>Device and Documentation Support</i> section, and <i>Mechanical, Packaging, and Orderable Information</i> section ..... | <b>1</b> |
| • Deleted <i>Dissipation Ratings</i> table .....   | <b>1</b> |
| • Added storage temperature $T_{stg}$ to <i>Absolute Maximum Ratings</i> table .....   | <b>3</b> |
| • Deleted <i>Package Thermal Information</i> table .....   | <b>6</b> |

| Changes from Revision F (March 2009) to Revision G                    | Page      |
|---|-----------|
| • Added Graph - <i>Driver Rise and Fall Time vs Temperature</i> ..... | <b>8</b>  |
| • Added IDLE Bus to the <i>Function Table</i> .....                   | <b>15</b> |
| • Added <i>Receiver Failsafe</i> section .....                        | <b>19</b> |

## 5 Pin Configuration and Functions

**D, P, and DGK Packages  
8-Pin SOIC, VSSOP, and PDIP  
Top View**



**Pin Functions**

| PIN             |     | TYPE                | DESCRIPTION  |
|-----------------|-----|---------------------|--|
| NAME            | NO. |                     |  |
| A               | 6   | Bus input/output    | Driver output or receiver input (complementary to B) |
| B               | 7   | Bus input/output    | Driver output or receiver input (complementary to A) |
| D               | 4   | Digital input       | Driver data input                                    |
| DE              | 3   | Digital input       | Driver enable, active high                           |
| GND             | 5   | Reference potential | Local device ground                                  |
| R               | 1   | Digital output      | Receive data output                                  |
| $\overline{RE}$ | 2   | Digital input       | Receiver enable, active low                          |
| $V_{CC}$        | 8   | Supply              | 4.5-V to 5.5-V supply                                |

## 6 Specifications

### 6.1 Absolute Maximum Ratings

over operating free-air temperature range unless otherwise noted<sup>(1)</sup> <sup>(2)</sup>

|  | MIN  | MAX            | UNIT               |
|--|------|----------------|--------------------|
| Supply voltage, $V_{CC}$   | -0.5 | 7              | V                  |
| Voltage at A or B  | -9   | 14             | V                  |
| Voltage at any logic pin   | -0.3 | $V_{CC} + 0.3$ | V                  |
| Receiver output current  | -24  | 24             | mA                 |
| Voltage input, transient pulse, A and B, through 100 $\Omega$ (see <a href="#">Figure 20</a> ) | -50  | 50             | V                  |
| Junction Temperature, $T_J$  |      | 170            | $^{\circ}\text{C}$ |
| Storage temperature, $T_{stg}$   |      | 150            | $^{\circ}\text{C}$ |

- (1) Stresses beyond those listed under *Absolute Maximum Ratings* may cause permanent damage to the device. These are stress ratings only, and functional operation of the device at these or any other conditions beyond those indicated under *Recommended Operating Conditions* is not implied. Exposure to absolute-maximum-rated conditions for extended periods may affect device reliability.
- (2) All voltage values, except differential I/O bus voltages, are with respect to network ground terminal.

### 6.2 ESD Ratings

|                                     |  | VALUE            | UNIT        |
|-------------------------------------|--|------------------|-------------|
| $V_{(ESD)}$ Electrostatic discharge | Human body model (HBM), per ANSI/ESDA/JEDEC JS-001 <sup>(1)</sup>              | Bus pins and GND | $\pm 15000$ |
|                                     |  | All pins         | $\pm 4000$  |
|                                     | Charged-device model (CDM), per JEDEC specification JESD22-C101 <sup>(2)</sup> |                  | $\pm 1000$  |
|                                     | Electrical Fast Transient/Burst, A, B, and GND <sup>(3)</sup>                  |                  | $\pm 4000$  |

- (1) JEDEC document JEP155 states that 500-V HBM allows safe manufacturing with a standard ESD control process.
- (2) JEDEC document JEP157 states that 250-V CDM allows safe manufacturing with a standard ESD control process.
- (3) Tested in accordance with IEC 61000-4-4.

### 6.3 Recommended Operating Conditions

 over operating free-air temperature range unless otherwise noted<sup>(1)</sup>

|   |  | MIN | NOM | MAX      | UNIT     |
|---|--|-----|-----|----------|----------|
| Supply voltage, $V_{CC}$  |  | 4.5 |     | 5.5      | V        |
| Voltage at any bus terminal (separately or common mode), $V_I$        |  | -7  |     | 12       |          |
| High-level input voltage (D, DE, or $\overline{RE}$ inputs), $V_{IH}$ |  | 2   |     | $V_{CC}$ | V        |
| Low-level input voltage (D, DE, or $\overline{RE}$ inputs), $V_{IL}$  |  | 0   |     | 0.8      | V        |
| Differential input voltage, $V_{ID}$                                  |  | -12 |     | 12       | V        |
| Output current, $I_O$   | Driver                                   | -60 |     | 60       | mA       |
|   | Receiver                                 | -8  |     | 8        |          |
| Differential load resistance, $R_L$                                   |  | 54  | 60  |          | $\Omega$ |
| Signaling rate, $1/t_{UI}$  | SN65HVD3082E, SN75HVD3082E               |     |     | 0.2      | Mbps     |
|   | SN65HVD3085E                             |     |     | 1        |          |
|   | SN65HVD3088E                             |     |     | 20       |          |
| Operating free-air temperature, $T_A$                                 | SN65HVD3082E, SN65HVD3085E, SN65HVD3088E | -40 |     | 85       | °C       |
|   | SN75HVD3082E                             | 0   |     | 70       |          |
| Junction temperature, $T_J$   |  | -40 |     | 130      | °C       |

(1) The algebraic convention, in which the least positive (most negative) limit is designated as minimum is used in this data sheet.

### 6.4 Thermal Information

| THERMAL METRIC <sup>(1)</sup> |  | SN65HVD3082E, SN75HVD3082E,<br>SN65HVD3085E, SN65HVD3088E |             | SN65HVD3082E,<br>SN65HVD3088E | UNIT |
|-------------------------------|--|---|-------------|-------------------------------|------|
|                               |  | D (SOIC)  | DGK (VSSOP) | P (PDIP)                      |      |
|                               |  | 8 PINS  | 8 PINS      | 8 PINS                        |      |
| $R_{\theta JA}$               | Junction-to-ambient thermal resistance       | 130   | 180         | 70                            | °C/W |
| $R_{\theta JC(top)}$          | Junction-to-case (top) thermal resistance    | 80  | 66          | 80                            | °C/W |
| $R_{\theta JB}$               | Junction-to-board thermal resistance         | 55  | 110         | 40                            | °C/W |
| $\Psi_{JT}$                   | Junction-to-top characterization parameter   | 7.9   | 4.6         | 17.6                          | °C/W |
| $\Psi_{JB}$                   | Junction-to-board characterization parameter | 47  | 73.1        | 28.3                          | °C/W |

 (1) For more information about traditional and new thermal metrics, see the *Semiconductor and IC Package Thermal Metrics* application report, [SPRA953](#).

## 6.5 Electrical Characteristics: Driver

over recommended operating conditions unless otherwise noted

| PARAMETER            | TEST CONDITIONS   | MIN  | TYP <sup>(1)</sup> | MAX | UNIT |
|----------------------|---|------|--------------------|-----|------|
| V <sub>OD</sub>      | Differential output voltage<br>I <sub>O</sub> = 0, No Load<br>R <sub>L</sub> = 54 Ω (see Figure 8)<br>R <sub>L</sub> = 100 Ω<br>V <sub>TEST</sub> = -7 V to 12 V (see Figure 9) | 3    | 4.3                |     | V    |
|                      |   | 1.5  | 2.3                |     |      |
|                      |   | 2    |                    |     |      |
|                      |   | 1.5  |                    |     |      |
| Δ V <sub>OD</sub>    | Change in magnitude of differential output voltage<br>See Figure 8 and Figure 9   | -0.2 | 0                  | 0.2 | V    |
| V <sub>OC(SS)</sub>  | Steady-state common-mode output voltage<br>See Figure 10  | 1    | 2.6                | 3   | V    |
| ΔV <sub>OC(SS)</sub> | Change in steady-state common-mode output voltage   | -0.1 | 0                  | 0.1 |      |
| V <sub>OC(PP)</sub>  | Peak-to-peak common-mode output voltage<br>See Figure 10  |      | 500                |     | mV   |
| I <sub>OZ</sub>      | High-impedance output current<br>See receiver input currents in <i>Electrical Characteristics: Receiver</i>   |      |                    |     |      |
| I <sub>I</sub>       | Input current<br>D, DE  | -100 |                    | 100 | μA   |
| I <sub>OS</sub>      | Short-circuit output current<br>-7 V ≤ V <sub>O</sub> ≤ 12 V (see Figure 14)  | -250 |                    | 250 | mA   |

(1) All typical values are at 25°C and with a 5-V supply.

## 6.6 Electrical Characteristics: Receiver

over recommended operating conditions unless otherwise noted

| PARAMETER         | TEST CONDITIONS   | MIN   | TYP <sup>(1)</sup> | MAX   | UNIT |
|-------------------|---|-------|--------------------|-------|------|
| V <sub>IT+</sub>  | Positive-going differential input threshold voltage<br>I <sub>O</sub> = -8 mA   |       | -85                | -10   | mV   |
| V <sub>IT-</sub>  | Negative-going differential input threshold voltage<br>I <sub>O</sub> = 8 mA  | -200  | -115               |       | mV   |
| V <sub>hys</sub>  | Hysteresis voltage (V <sub>IT+</sub> - V <sub>IT-</sub> )   |       | 30                 |       | mV   |
| V <sub>OH</sub>   | High-level output voltage<br>V <sub>ID</sub> = 200 mV, I <sub>OH</sub> = -8 mA (see Figure 15)  | 4     | 4.6                |       | V    |
| V <sub>OL</sub>   | Low-level output voltage<br>V <sub>ID</sub> = -200 mV, I <sub>O</sub> = 8 mA (see Figure 15)  |       | 0.15               | 0.4   | V    |
| I <sub>OZ</sub>   | High-impedance-state output current<br>V <sub>O</sub> = 0 or V <sub>CC</sub> , $\overline{RE} = V_{CC}$   | -1    |                    | 1     | μA   |
| I <sub>I</sub>    | Bus input current<br>V <sub>IH</sub> = 12 V, V <sub>CC</sub> = 5 V<br>V <sub>IH</sub> = 12 V, V <sub>CC</sub> = 0 V<br>V <sub>IH</sub> = -7 V, V <sub>CC</sub> = 5 V<br>V <sub>IH</sub> = -7 V, V <sub>CC</sub> = 0 V |       | 0.04               | 0.1   | mA   |
|                   |   |       | 0.06               | 0.125 |      |
|                   |   | -0.1  | -0.04              |       |      |
|                   |   | -0.05 | -0.03              |       |      |
| I <sub>IH</sub>   | High-level input current, ( $\overline{RE}$ )<br>V <sub>IH</sub> = 2 V  | -60   | -30                |       | μA   |
| I <sub>IL</sub>   | Low-level input current, ( $\overline{RE}$ )<br>V <sub>IL</sub> = 0.8 V   | -60   | -30                |       | μA   |
| C <sub>diff</sub> | Differential input capacitance<br>V <sub>I</sub> = 0.4 sin(4E6πt) + 0.5 V, DE at 0 V  |       | 7                  |       | pF   |

(1) All typical values are at 25°C and with a 5-V supply.

## 6.7 Power Characteristics

over operating free-air temperature range (unless otherwise noted)

| PARAMETER          |                                   | TEST CONDITIONS  | MIN          | TYP <sup>(1)</sup> | MAX | UNIT |
|--------------------|-----------------------------------|--|--------------|--------------------|-----|------|
| I <sub>CC</sub>    | Driver and receiver enabled       | D at V <sub>CC</sub> or open, DE at V <sub>CC</sub> ,<br>RE at 0 V, No load  |              | 425                | 900 | μA   |
|                    | Driver enabled, receiver disabled | D at V <sub>CC</sub> or open, DE at V <sub>CC</sub> ,<br>RE at V <sub>CC</sub> , No load   |              | 330                | 600 | μA   |
|                    | Receiver enabled, driver disabled | D at V <sub>CC</sub> or open, DE at 0 V,<br>RE at 0 V, No load   |              | 300                | 600 | μA   |
|                    | Driver and receiver disabled      | D at V <sub>CC</sub> or open, DE at 0 V,<br>RE at V <sub>CC</sub>  |              | 0.001              | 2   | μA   |
| P <sub>(AVG)</sub> | Average power dissipation         | Input to D is a 50% duty cycle square wave at max specified signal rate<br>R <sub>L</sub> = 54 Ω V <sub>CC</sub> = 5.5 V, T <sub>J</sub> = 130°C | ALL HVD3082E |                    | 203 | mW   |
|                    |                                   |  | ALL HVD3085E |                    | 205 |      |
|                    |                                   |  | ALL HVD3088E |                    | 276 |      |

(1) All typical values are at 25°C and with a 5-V supply.

## 6.8 Switching Characteristics: Driver

over recommended operating conditions unless otherwise noted

| PARAMETER  |   | TEST CONDITIONS  | MIN      | TYP  | MAX  | UNIT |    |
|--|---|--|----------|------|------|------|----|
| t <sub>PLH</sub><br>t <sub>PHL</sub>             | Propagation delay time, low-to-high-level output<br>Propagation delay time, high-to-low-level output                      | R <sub>L</sub> = 54 Ω, C <sub>L</sub> = 50 pF<br>(see Figure 11)   | HVD3082E | 700  | 1300 | ns   |    |
|  |   |  | HVD3085E | 150  | 500  |      |    |
|  |   |  | HVD3088E | 12   | 20   |      |    |
| t <sub>r</sub><br>t <sub>f</sub>                 | Differential output signal rise time<br>Differential output signal fall time  | R <sub>L</sub> = 54 Ω, C <sub>L</sub> = 50 pF<br>(see Figure 11)   | HVD3082E | 500  | 900  | 1500 | ns |
|  |   |  | HVD3085E | 200  | 300  |      |    |
|  |   |  | HVD3088E | 7    | 15   |      |    |
| t <sub>sk(p)</sub>                               | Pulse skew ( t <sub>PHL</sub> – t <sub>PLH</sub>  )   | R <sub>L</sub> = 54 Ω, C <sub>L</sub> = 50 pF<br>(see Figure 11)   | HVD3082E | 20   | 200  | ns   |    |
|  |   |  | HVD3085E | 5    | 50   |      |    |
|  |   |  | HVD3088E | 1.4  | 2    |      |    |
| t <sub>PZH</sub><br>t <sub>PZL</sub>             | Propagation delay time, high-impedance-to-high-level output<br>Propagation delay time, high-impedance-to-low-level output | R <sub>L</sub> = 110 Ω, RE at 0 V<br>(see Figure 12 and Figure 13) | HVD3082E | 2500 | 7000 | ns   |    |
|  |   |  | HVD3085E | 1000 | 2500 |      |    |
|  |   |  | HVD3088E | 13   | 30   |      |    |
| t <sub>PHZ</sub><br>t <sub>PLZ</sub>             | Propagation delay time, high-level-to-high-impedance output<br>Propagation delay time, low-level-to-high-impedance output | R <sub>L</sub> = 110 Ω, RE at 0 V<br>(see Figure 12 and Figure 13) | HVD3082E | 80   | 200  | ns   |    |
|  |   |  | HVD3085E | 60   | 100  |      |    |
|  |   |  | HVD3088E | 12   | 30   |      |    |
| t <sub>PZH(SHDN)</sub><br>t <sub>PZL(SHDN)</sub> | Propagation delay time, shutdown-to-high-level output<br>Propagation delay time, shutdown-to-low-level output             | R <sub>L</sub> = 110 Ω, RE at V <sub>CC</sub><br>(see Figure 12)   | HVD3082E | 3500 | 7000 | ns   |    |
|  |   |  | HVD3085E | 2500 | 4500 |      |    |
|  |   |  | HVD3088E | 1600 | 2600 |      |    |

## 6.9 Switching Characteristics: Receiver

over recommended operating conditions unless otherwise noted

| PARAMETER       |   | TEST CONDITIONS   | MIN   | TYP  | MAX  | UNIT |    |
|-----------------|---|---|---|------|------|------|----|
| $t_{PLH}$       | Propagation delay time, low-to-high-level output      | HVD3082E<br>HVD3085E  |   | 75   | 200  | ns   |    |
|                 |   | HVD3088E  |   |      | 100  |      |    |
| $t_{PHL}$       | Propagation delay time, high-to-low-level output      | HVD3082E<br>HVD3085E  | $C_L = 15$ pF (see <a href="#">Figure 16</a> )  | 79   | 200  | ns   |    |
|                 |   | HVD3088E  |   |      | 100  |      |    |
| $t_{sk(p)}$     | Pulse skew ( $ t_{PHL} - t_{PLH} $ )                  | HVD3082E<br>HVD3085E  |   |      | 4    | 30   | ns |
|                 |   | HVD3088E  |   |      |      | 10   |    |
| $t_r$           | Output signal rise time                               | $V_{ID} = -1.5$ V to 1.5 V,<br>$C_L = 15$ pF (see <a href="#">Figure 16</a> ) |   | 1.5  | 3    | ns   |    |
| $t_f$           | Output signal fall time                               |   |   | 1.8  | 3    | ns   |    |
| $t_{PZH}$       | Output enable time to high level                      | HVD3082E<br>HVD3085E  | $C_L = 15$ pF,<br>DE at 3 V<br>(see <a href="#">Figure 17</a> and <a href="#">Figure 18</a> ) | 5    | 50   | ns   |    |
|                 |   | HVD3088E  |   |      | 30   |      |    |
| $t_{PZL}$       | Output enable time to low level                       | HVD3082E<br>HVD3085E  |   | 10   | 50   | ns   |    |
|                 |   | HVD3088E  |   |      | 30   |      |    |
| $t_{PHZ}$       | Output enable time from high level                    | HVD3082E<br>HVD3085E  |   |      | 5    | 50   | ns |
|                 |   | HVD3088E  |   |      |      | 30   |    |
| $t_{PLZ}$       | Output disable time from low level                    | HVD3082E<br>HVD3085E  |   | 8    | 50   | ns   |    |
|                 |   | HVD3088E  |   |      | 30   |      |    |
| $t_{PZH(SHDN)}$ | Propagation delay time, shutdown-to-high-level output | $C_L = 15$ pF, DE at 0 V,<br>(see <a href="#">Figure 19</a> )                 |   | 1600 | 3500 | ns   |    |
| $t_{PZL(SHDN)}$ | Propagation delay time, shutdown-to-low-level output  |   |   | 1700 | 3500 | ns   |    |

## 6.10 Typical Characteristics

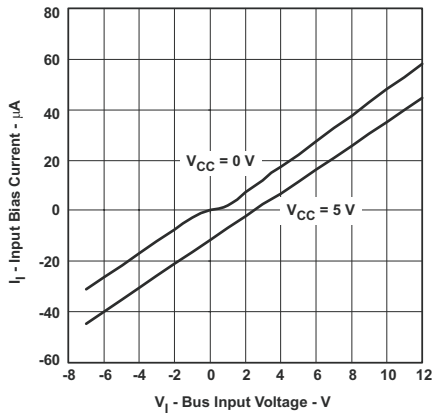


Figure 1. Bus Input Current versus Bus Input Voltage

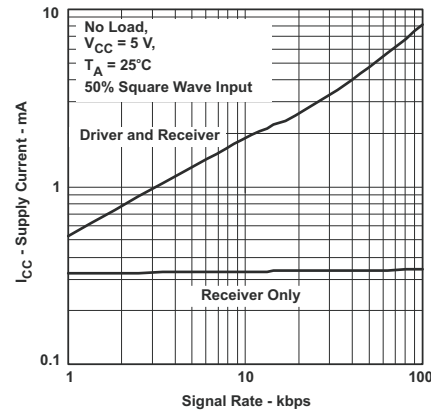


Figure 2. SN65HVD3082E RMS Supply Current versus Signaling Rate

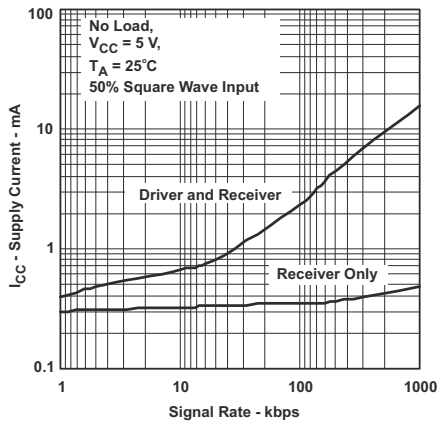


Figure 3. SN65HVD3085E RMS Supply Current versus Signaling Rate

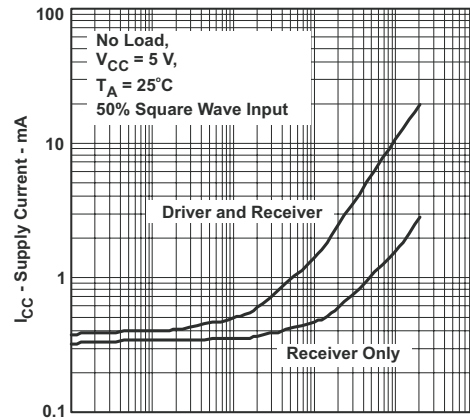


Figure 4. SN65HVD3088E RMS Supply Current versus Signal Rate

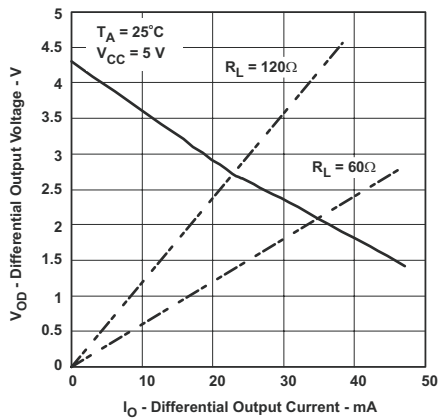


Figure 5. Driver Differential Output Voltage versus Driver Output Current

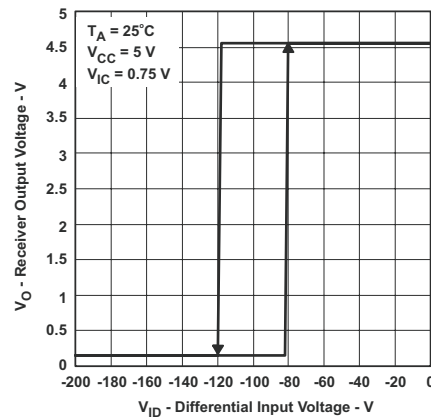
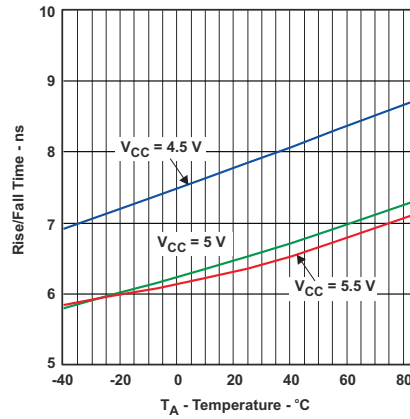


Figure 6. Receiver Output Voltage versus Differential Input Voltage



**Typical Characteristics (continued)**



**Figure 7. SN65HVD3088E Driver Rise and Fall Time versus Temperature**

## 7 Parameter Measurement Information

Test load capacitance includes probe and jig capacitance (unless otherwise specified). Signal generator characteristics: rise and fall time < 6 ns, pulse rate 100 kHz, 50% duty cycle.  $Z_0 = 50 \Omega$  (unless otherwise specified).

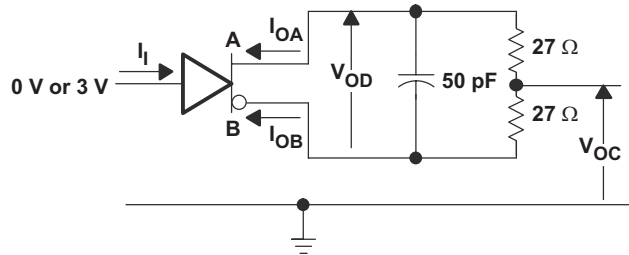


Figure 8. Driver Test Circuit,  $V_{OD}$  and  $V_{OC}$  Without Common-Mode Loading

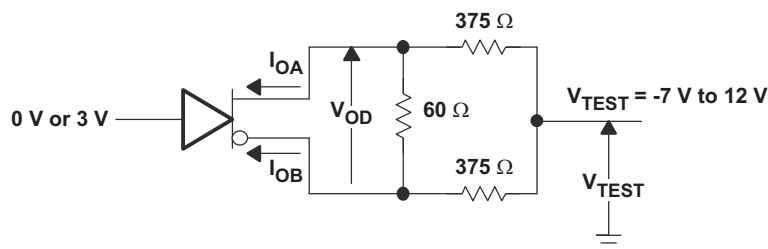


Figure 9. Driver Test Circuit,  $V_{OD}$  With Common-Mode Loading

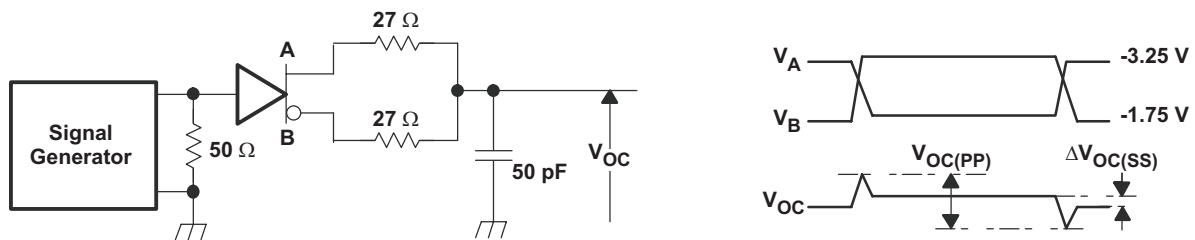


Figure 10. Driver  $V_{OC}$  Test Circuit and Waveforms

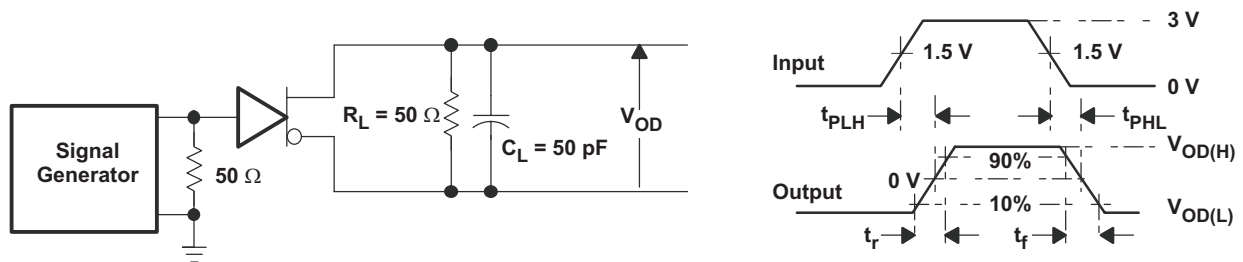


Figure 11. Driver Switching Test Circuit and Waveforms

Parameter Measurement Information (continued)

Test load capacitance includes probe and jig capacitance (unless otherwise specified). Signal generator characteristics: rise and fall time < 6 ns, pulse rate 100 kHz, 50% duty cycle.  $Z_0 = 50 \Omega$  (unless otherwise specified).

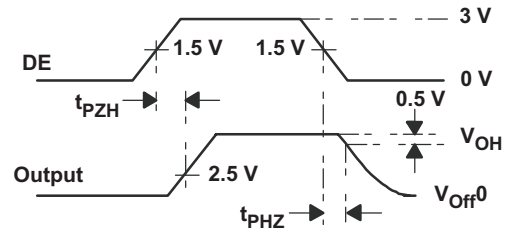
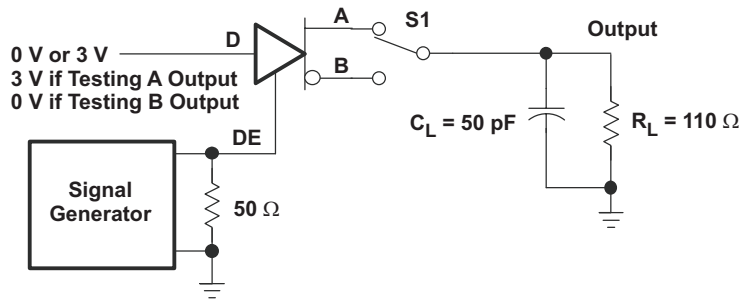


Figure 12. Driver Enable and Disable Test Circuit and Waveforms, High Output

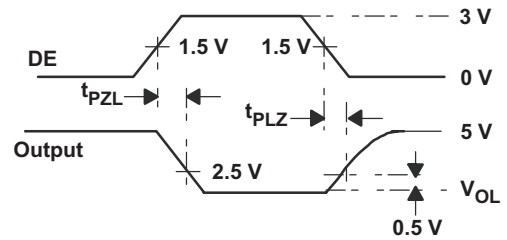
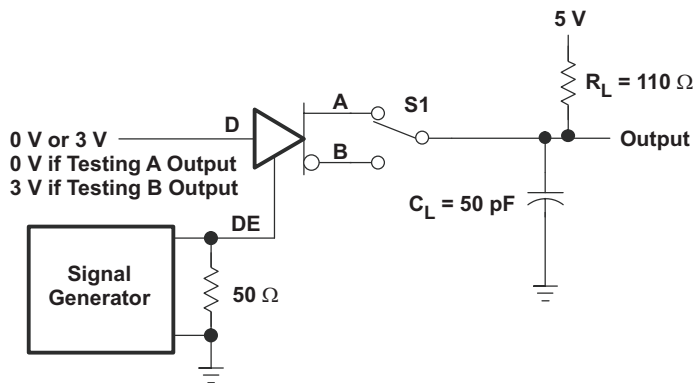


Figure 13. Driver Enable and Disable Test Circuit and Waveforms, Low Output

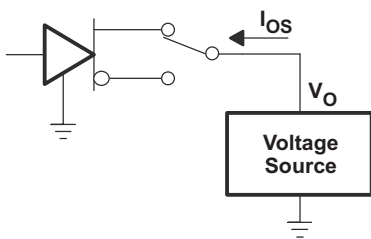


Figure 14. Driver Short-Circuit

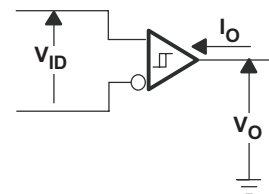
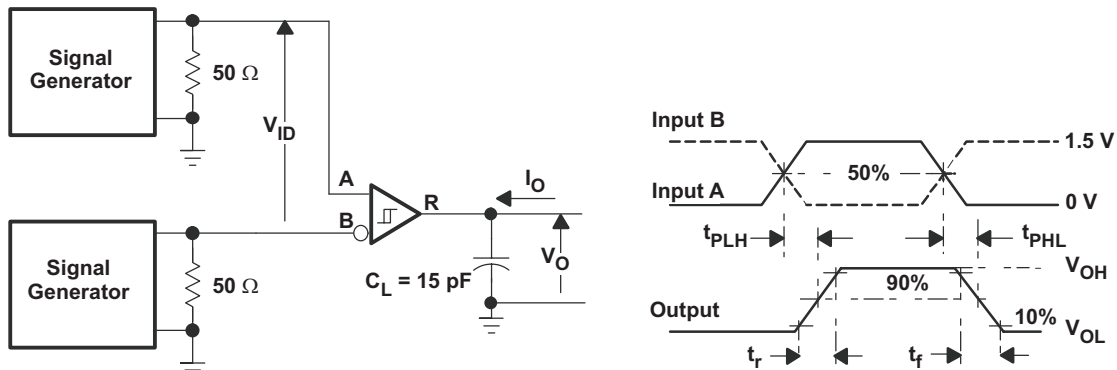


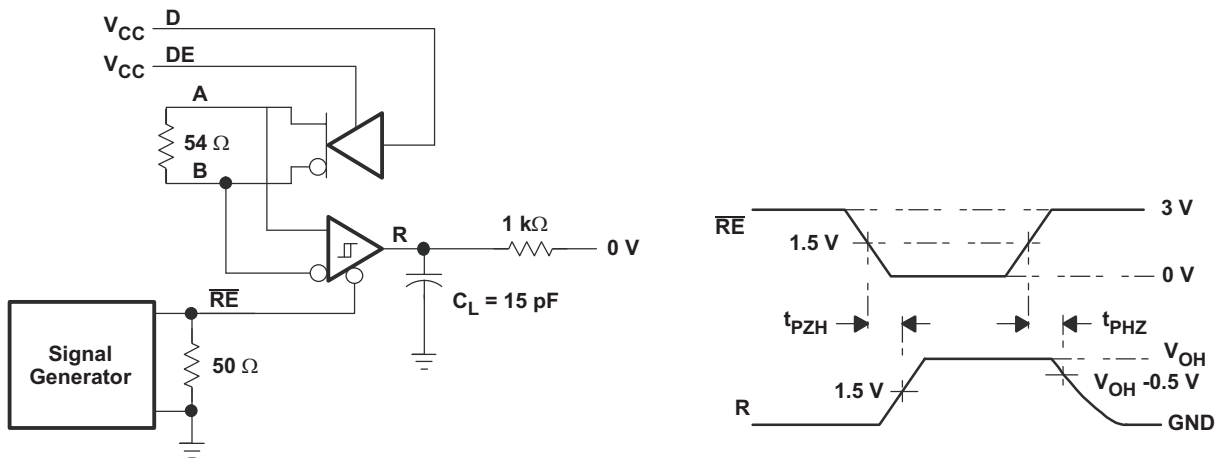
Figure 15. Receiver Switching Test Circuit and Waveforms

### Parameter Measurement Information (continued)

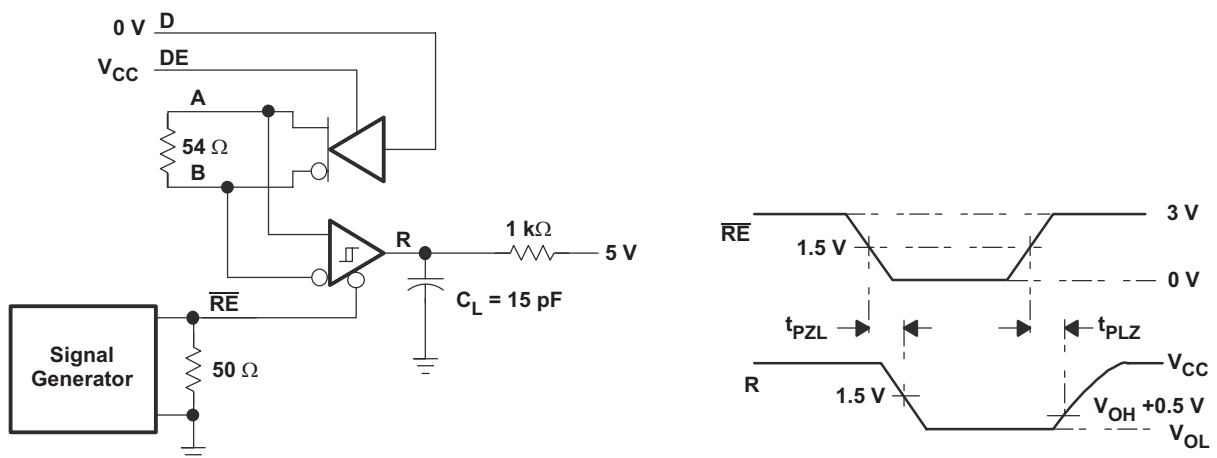
Test load capacitance includes probe and jig capacitance (unless otherwise specified). Signal generator characteristics: rise and fall time < 6 ns, pulse rate 100 kHz, 50% duty cycle.  $Z_0 = 50 \Omega$  (unless otherwise specified).



**Figure 16. Receiver Switching Test Circuit and Waveforms**



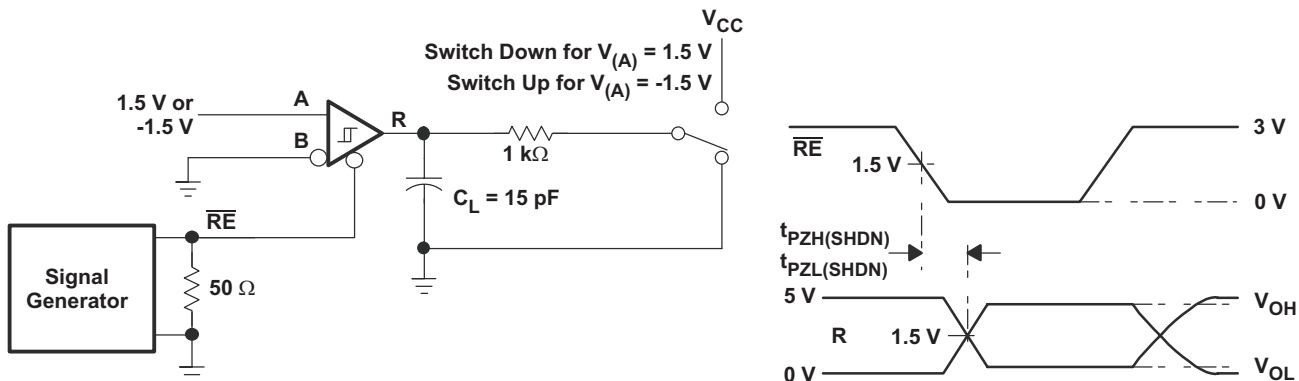
**Figure 17. Receiver Enable and Disable Test Circuit and Waveforms, Data Output High**



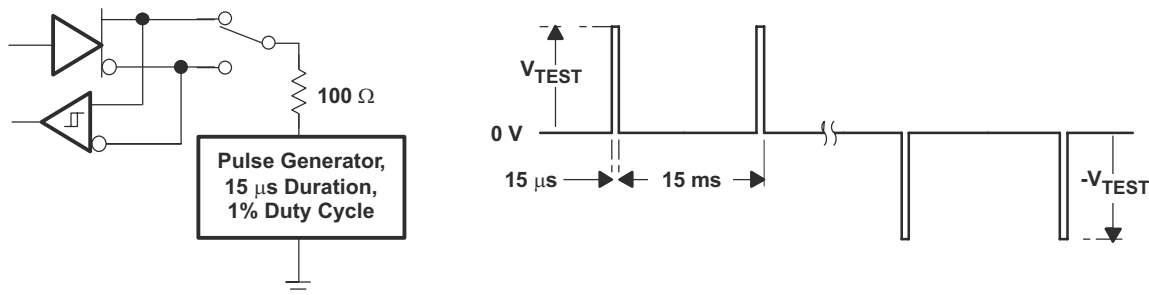
**Figure 18. Receiver Enable and Disable Test Circuit and Waveforms, Data Output Low**

**Parameter Measurement Information (continued)**

Test load capacitance includes probe and jig capacitance (unless otherwise specified). Signal generator characteristics: rise and fall time < 6 ns, pulse rate 100 kHz, 50% duty cycle.  $Z_0 = 50 \Omega$  (unless otherwise specified).



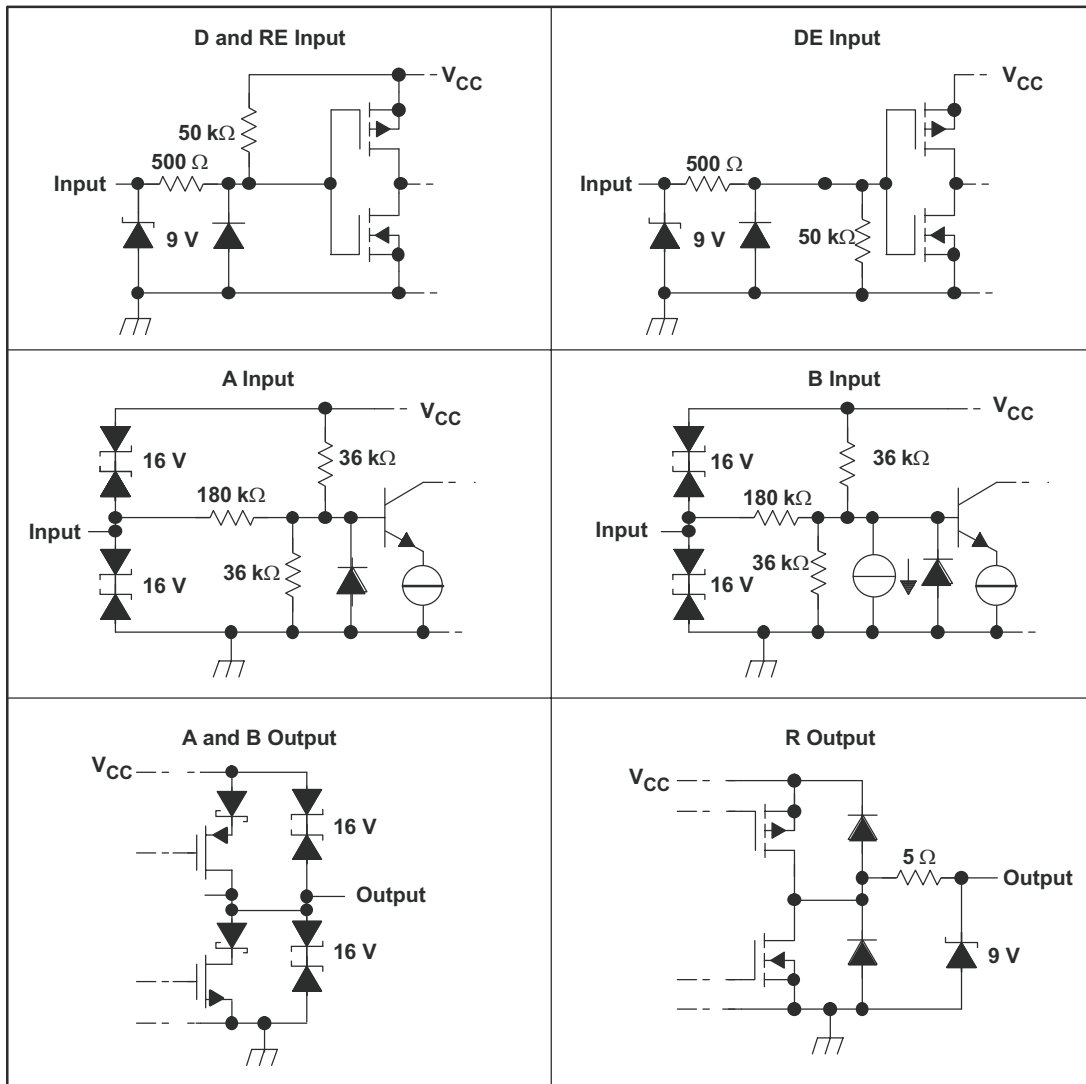
**Figure 19. Receiver Enable From Shutdown Test Circuit and Waveforms**



**Figure 20. Test Circuit and Waveforms, Transient Overvoltage Test**

### Parameter Measurement Information (continued)

Test load capacitance includes probe and jig capacitance (unless otherwise specified). Signal generator characteristics: rise and fall time < 6 ns, pulse rate 100 kHz, 50% duty cycle.  $Z_O = 50 \Omega$  (unless otherwise specified).



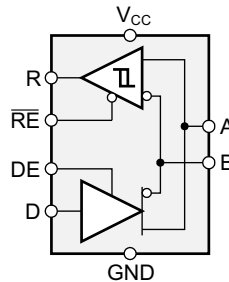
**Figure 21. Equivalent Input and Output Schematic Diagrams**

## 8 Detailed Description

### 8.1 Overview

The SNx5HVD308xE family of half-duplex RS-485 transceivers is suitable for data transmission at rates up to 200 kbps (for SN65HVD3082E and SN75HVD3082E), 1 Mbps (for SN65HVD3085E), or 20 Mbps (for SN65HVD3088E) over controlled-impedance transmission media (such as twisted-pair cabling). Up to 256 units of SNx5HVD308xE may share a common RS-485 bus due to the family's low bus input currents. The devices also feature a high degree of ESD protection and typical standby current consumption of 1 nA.

### 8.2 Functional Block Diagram



### 8.3 Feature Description

The SNx5HVD308xE provides internal biasing of the receiver input thresholds for open-circuit, bus-idle, or short-circuit failsafe conditions. It features a typical hysteresis of 30 mV in order to improve noise immunity. Internal ESD protection circuits protect the transceiver bus terminals against  $\pm 15$ -kV Human Body Model (HBM) electrostatic discharges.

The devices protect themselves against damage due to overtemperature conditions through use of a thermal shutdown feature. Thermal shutdown is entered at 165°C (nominal) and causes the device to enter a low-power state with high-impedance outputs.

### 8.4 Device Functional Modes

When the driver enable pin, DE, is logic high, the differential outputs A and B follow the logic states at data input D. A logic high at D causes A to turn high and B to turn low. In this case the differential output voltage defined as  $V_{OD} = V_A - V_B$  is positive. When D is low, the output states reverse, B turns high, A becomes low, and  $V_{OD}$  is negative.

When DE is low, both outputs turn high-impedance. In this condition the logic state at D is irrelevant. The DE pin has an internal pull-down resistor to ground, thus when left open the driver is disabled (high-impedance) by default. The D pin has an internal pull-up resistor to  $V_{CC}$ , thus, when left open while the driver is enabled, output A turns high and B turns low.

**Table 1. Driver Function Table**

| INPUT | ENABLE <sup>(1)</sup> | OUTPUTS <sup>(1)</sup> |   | FUNCTION                           |
|-------|-----------------------|------------------------|---|------------------------------------|
|       |                       | A                      | B |                                    |
| H     | H                     | H                      | L | Actively drive bus High            |
| L     | H                     | L                      | H | Actively drive bus Low             |
| X     | L                     | Z                      | Z | Driver disabled                    |
| X     | OPEN                  | Z                      | Z | Driver disabled by default         |
| OPEN  | H                     | H                      | L | Actively drive bus High by default |

(1) H = high level, L = low level, Z = high impedance, X = irrelevant, ? = indeterminate

When the receiver enable pin,  $\overline{RE}$ , is logic low, the receiver is enabled. When the differential input voltage defined as  $V_{ID} = V_A - V_B$  is positive and higher than the positive input threshold,  $V_{IT+}$ , the receiver output, R, turns high. When  $V_{ID}$  is negative and lower than the negative input threshold,  $V_{IT-}$ , the receiver output, R, turns low. If  $V_{ID}$  is between  $V_{IT+}$  and  $V_{IT-}$  the output is indeterminate.

When  $\overline{RE}$  is logic high or left open, the receiver output is high-impedance and the magnitude and polarity of  $V_{ID}$  are irrelevant. Internal biasing of the receiver inputs causes the output to go failsafe-high when the transceiver is disconnected from the bus (open-circuit), the bus lines are shorted (short-circuit), or the bus is not actively driven (idle bus).

**Table 2. Receiver Function Table**

| DIFFERENTIAL INPUT           | ENABLE          | OUTPUT | FUNCTION                     |
|------------------------------|-----------------|--------|------------------------------|
| $V_{ID} = V_A - V_B$         | $\overline{RE}$ | R      |                              |
| $V_{IT+} < V_{ID}$           | L               | H      | Receive valid bus High       |
| $V_{IT-} < V_{ID} < V_{IT+}$ | L               | ?      | Indeterminate bus state      |
| $V_{ID} < V_{IT-}$           | L               | L      | Receive valid bus Low        |
| X                            | H               | Z      | Receiver disabled            |
| X                            | OPEN            | Z      | Receiver disabled by default |
| Open-circuit bus             | L               | H      | Fail-safe high output        |
| Short-circuit bus            | L               | H      | Fail-safe high output        |
| Idle (terminated) bus        | L               | H      | Fail-safe high output        |



## 9 Application and Implementation

### NOTE

Information in the following applications sections is not part of the TI component specification, and TI does not warrant its accuracy or completeness. TI's customers are responsible for determining suitability of components for their purposes. Customers should validate and test their design implementation to confirm system functionality.

### 9.1 Application Information

The SNx5HVD308xE devices are half-duplex RS-485 transceivers commonly used for asynchronous data transmissions. The driver and receiver enable pins allow for the configuration of different operating modes.

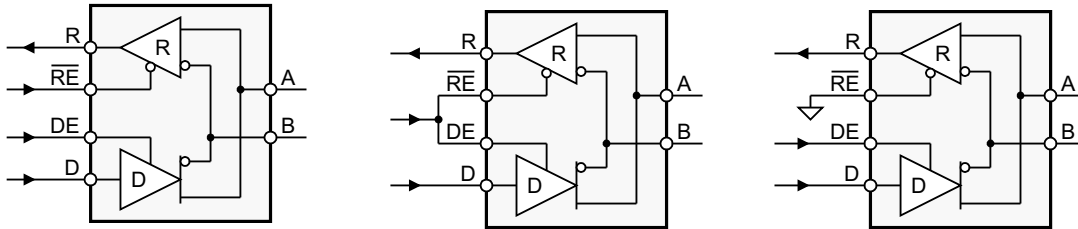


Figure 22. Half-Duplex Transceiver Configurations

Using independent enable lines provides the most flexible control as it allows for the driver and the receiver to be turned on and off individually. While this configuration requires two control lines, it allows for selective listening into the bus traffic whether the driver is transmitting data or not.

Combining the enable signals simplifies the interface to the controller by forming a single direction-control signal. In this configuration, the transceiver operates as a driver when the direction-control line is high and as a receiver when the direction-control line is low.

Additionally, only one line is required when connecting the receiver-enable input to ground and controlling only the driver-enable input. In this configuration, a node not only receives the data from the bus, but also the data it sends and can verify that the correct data have been transmitted.

### 9.2 Typical Application

An RS-485 bus consists of multiple transceivers connecting in parallel to a bus cable. To eliminate line reflections, each cable end is terminated with a termination resistor,  $R_T$ , whose value matches the characteristic impedance,  $Z_0$ , of the cable. This method, known as parallel termination, allows for higher data rates over longer cable length.

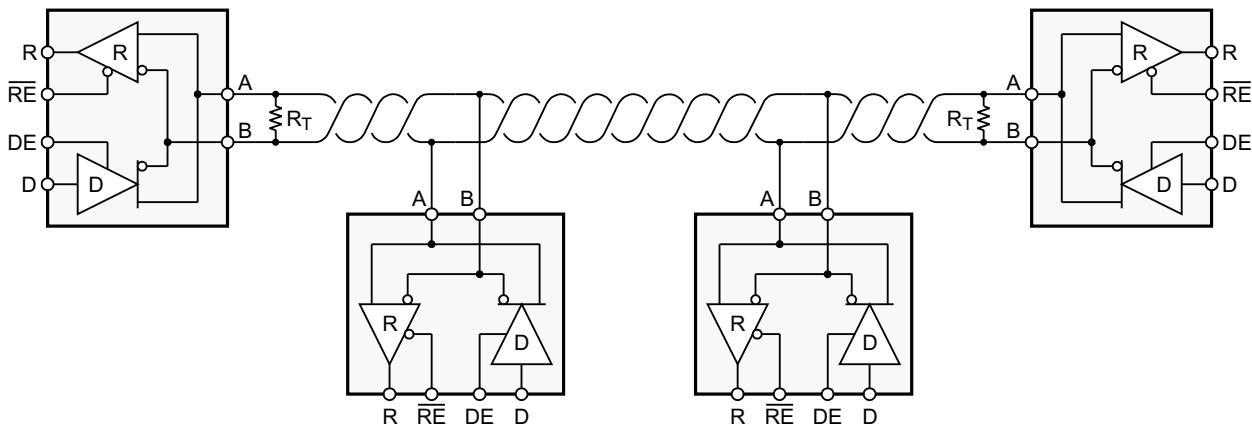


Figure 23. Typical Application Circuit

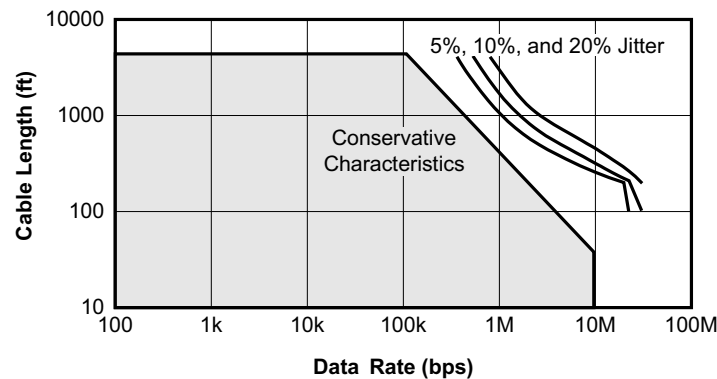
## Typical Application (continued)

### 9.2.1 Design Requirements

RS-485 is a robust electrical standard suitable for long-distance networking that may be used in a wide range of applications with varying requirements, such as distance, data rate, and number of nodes.

#### 9.2.1.1 Data Rate and Bus Length

There is an inverse relationship between data rate and bus length, meaning the higher the data rate, the shorter the cable length; and conversely, the lower the data rate, the longer the cable may be without introducing data errors. While most RS-485 systems use data rates between 10 kbps and 100 kbps, some applications require data rates up to 250 kbps at distances of 4,000 feet and longer. Longer distances are possible by allowing for small signal jitter of up to 5 or 10%.



**Figure 24. Cable Length vs Data Rate Characteristic**

#### 9.2.1.2 Stub Length

When connecting a node to the bus, the distance between the transceiver inputs and the cable trunk, known as the stub, must be as short as possible. Stubs present a non-terminated piece of bus line which can introduce reflections as the length of the stub increases. As a general guideline, the electrical length, or round-trip delay, of a stub must be less than one-tenth of the rise time of the driver, thus giving a maximum physical stub length as shown in Equation 1.

$$L_{\text{stub}} \leq 0.1 \times t_r \times v \times c$$

where:

- $t_r$  is the 10/90 rise time of the driver
- $c$  is the speed of light ( $3 \times 10^8$  m/s)
- $v$  is the signal velocity of the cable or trace as a factor of  $c$

(1)

#### 9.2.1.3 Bus Loading

The RS-485 standard specifies that a compliant driver must be able to driver 32 unit loads (UL), where 1 unit load represents a load impedance of approximately 12 k $\Omega$ . Because the SNx5HVD308xE is a 1/8 UL transceiver, it is possible to connect up to 256 receivers to the bus.

## Typical Application (continued)

### 9.2.1.4 Receiver Failsafe

The differential receiver is fail-safe to invalid bus states caused by:

- open bus conditions such as a disconnected connector,
- shorted bus conditions such as cable damage shorting the twisted-pair together, or
- idle bus conditions that occur when no driver on the bus is actively driving

In any of these cases, the differential receiver outputs a failsafe logic High state, so that the output of the receiver is not indeterminate.

Receiver failsafe is accomplished by offsetting the receiver thresholds so that the *input indeterminate* range does not include zero volts differential. To comply with the RS-422 and RS-485 standards, the receiver output must output a High when the differential input  $V_{ID}$  is more positive than +200 mV, and must output a Low when the  $V_{ID}$  is more negative than -200 mV. The receiver parameters which determine the failsafe performance are  $V_{IT+}$  and  $V_{IT-}$  and  $V_{HYS}$ . As seen in the table, differential signals more negative than -200 mV will always cause a Low receiver output. Similarly, differential signals more positive than +200 mV will always cause a High receiver output.

When the differential input signal is close to zero, it will still be above the  $V_{IT+}$  threshold, and the receiver output is High. Only when the differential input is more negative than  $V_{IT-}$  will the receiver output transition to a Low state. So, the noise immunity of the receiver inputs during a bus fault condition includes the receiver hysteresis value  $V_{HYS}$  (the separation between  $V_{IT+}$  and  $V_{IT-}$ ) as well as the value of  $V_{IT+}$ .

### 9.2.2 Detailed Design Procedure

In order to protect bus nodes against high-energy transients, the implementation of external transient protection devices is necessary.

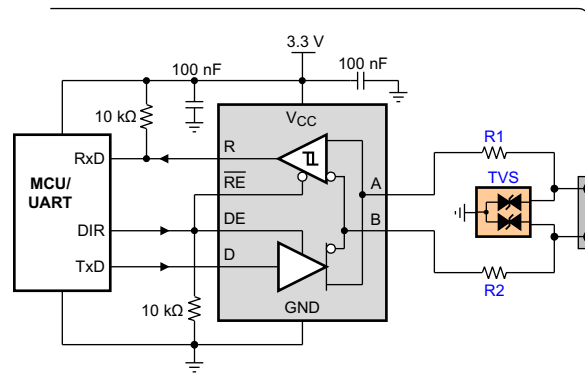


Figure 25. Transient Protection Against ESD, EFT, and Surge Transients

Figure 25 suggests a protection circuit against 10-kV ESD (IEC 61000-4-2), 4-kV EFT (IEC 61000-4-4), and 1-kV surge (IEC 61000-4-5) transients. Table 3 shows the associated Bill of Materials.

Table 3. Bill of Materials

| DEVICE | FUNCTION                                 | ORDER NUMBER      | MANUFACTURER |
|--------|--|-------------------|--------------|
| XCVR   | RS-485 Transceiver                       | SNx5HVD308xE      | TI           |
| R1, R2 | 10-Ω, Pulse-Proof Thick-Film Resistor    | CRCW060310RJNEAHP | Vishay       |
| TVS    | Bidirectional 400-W Transient Suppressor | CDSOT23-SM712     | Bourns       |

### 9.2.2.1 Power Usage in an RS-485 Transceiver

Power consumption is a concern in many applications. Power supply current is delivered to the bus load as well as to the transceiver circuitry. For a typical RS-485 bus configuration, the load that an active driver must drive consists of all of the receiving nodes, plus the termination resistors at each end of the bus.

The load presented by the receiving nodes depends on the input impedance of the receiver. The TIA/EIA-485-A standard defines a unit load as allowing up to 1 mA. With up to 32 unit loads allowed on the bus, the total current supplied to all receivers can be as high as 32 mA. The HVD308xE is rated as a 1/8 unit load device. As shown in , the bus input current is less than 1/8 mA, allowing up to 256 nodes on a single bus.

The current in the termination resistors depends on the differential bus voltage. The standard requires active drivers to produce at least 1.5 V of differential signal. For a bus terminated with one standard 120- $\Omega$  resistor at each end, this sums to 25 mA differential output current whenever the bus is active. Typically the HVD308xE can drive more than 25-mA to a 60- $\Omega$  load, resulting in a differential output voltage higher than the minimum required by the standard (see [Figure 3](#)).

Overall, the total load current can be 60 mA to a loaded RS-485 bus. This is in addition to the current required by the transceiver itself; the HVD308xE circuitry requires only about 0.4 mA with both driver and receiver enabled, and only 0.3 mA with either the driver enabled or with the receiver enabled. In low-power shutdown mode, neither the driver nor receiver is active, and the supply current is low.

Supply current increases with signaling rate primarily due to the totem pole outputs of the driver (see [Figure 2](#)). When these outputs change state, there is a moment when both the high-side and low-side output transistors are conducting and this creates a short spike in the supply current. As the frequency of state changes increases, more power is used.

### 9.2.2.2 Low-Power Shutdown Mode

When both the driver and receiver are disabled (DE low and  $\overline{RE}$  high) the device is in shutdown mode. If the enable inputs are in this state for less than 60 ns, the device does not enter shutdown mode. This guards against inadvertently entering shutdown mode during driver or receiver enabling. Only when the enable inputs are held in this state for 300 ns or more, the device is assured to be in shutdown mode. In this low-power shutdown mode, most internal circuitry is powered down, and the supply current is typically 1 nA. When either the driver or the receiver is re-enabled, the internal circuitry becomes active.

If only the driver is re-enabled (DE transitions to high) the driver outputs are driven according to the D input after the enable times given by  $t_{PZH(SHDN)}$  and  $t_{PZL(SHDN)}$  in the driver switching characteristics. If the D input is open when the driver is enabled, the driver outputs default to A high and B low, in accordance with the driver failsafe feature.

If only the receiver is re-enabled (RE transitions to low) the receiver output is driven according to the state of the bus inputs (A and B) after the enable times given by  $t_{PZH(SHDN)}$  and  $t_{PZL(SHDN)}$  in the receiver switching characteristics. If there is no valid state on the bus the receiver responds as described in the failsafe operation section.

If both the receiver and driver are re-enabled simultaneously, the receiver output is driven according to the state of the bus inputs (A and B) and the driver output is driven according to the D input.

---

#### NOTE

The state of the active driver affects the inputs to the receiver. Therefore, the receiver outputs are valid as soon as the driver outputs are valid.

---

## 10 Power Supply Recommendations

To ensure reliable operation at all data rates and supply voltages, each supply must be decoupled with a 100-nF ceramic capacitor located as close to the supply pins as possible. This helps to reduce supply voltage ripple present on the outputs of switched-mode power supplies and also helps to compensate for the resistance and inductance of the PCB power planes.

## 11 Layout

### 11.1 Layout Guidelines

Robust and reliable bus node design often requires the use of external transient protection devices in order to protect against EFT and surge transients that may occur in industrial environments. Because these transients have a wide frequency bandwidth (from approximately 3 MHz to 3 GHz), high-frequency layout techniques must be applied during PCB design.

- Place the protection circuitry close to the bus connector to prevent noise transients from entering the board.
- Use  $V_{CC}$  and ground planes to provide low-inductance.

#### NOTE

High-frequency currents follow the path of least inductance and not the path of least impedance.

- Design the protection components into the direction of the signal path. Do not force the transients currents to divert from the signal path to reach the protection device.
- Apply 100-nF to 220-nF bypass capacitors as close as possible to the  $V_{CC}$  pins of transceiver, UART, and controller ICs on the board.
- Use at least two vias for  $V_{CC}$  and ground connections of bypass capacitors and protection devices to minimize effective via-inductance.
- Use 1-k $\Omega$  to 10-k $\Omega$  pullup or pulldown resistors for enable lines to limit noise currents in these lines during transient events.
- Insert series pulse-proof resistors into the A and B bus lines if the TVS clamping voltage is higher than the specified maximum voltage of the transceiver bus pins. These resistors limit the residual clamping current into the transceiver and prevent it from latching up.
- While pure TVS protection is sufficient for surge transients up to 1 kV, higher transients require metal-oxide varistors (MOVs) which reduce the transients to a few hundred volts of clamping voltage, and transient blocking units (TBUs) that limit transient current to 200 mA.

### 11.2 Layout Example

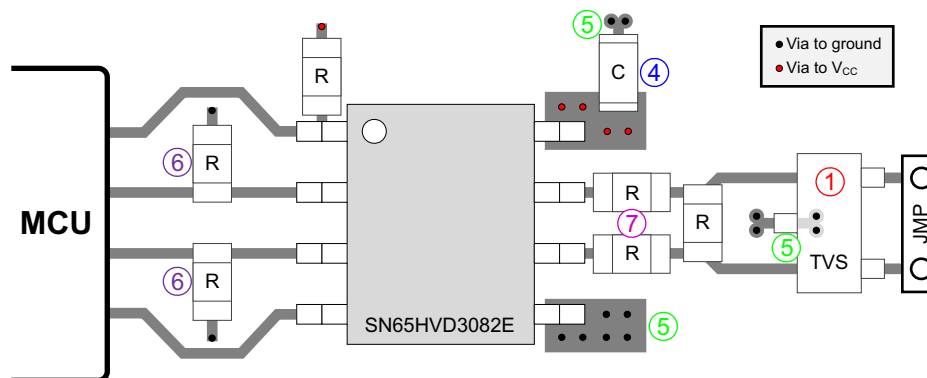


Figure 26. SNx5HVD308xE Layout Example

### 11.3 Thermal Considerations for IC Packages

$\theta_{JA}$  (Junction-to-Ambient Thermal Resistance) is defined as the difference in junction temperature to ambient temperature divided by the operating power.

$\theta_{JA}$  is **not** a constant and is a strong function of:

- the PCB design (50% variation)
- altitude (20% variation)
- device power (5% variation)

$\theta_{JA}$  can be used to compare the thermal performance of packages if the specific test conditions are defined and used. Standardized testing includes specification of PCB construction, test chamber volume, sensor locations, and the thermal characteristics of holding fixtures.  $\theta_{JA}$  is often misused when it is used to calculate junction temperatures for other installations.

TI uses two test PCBs as defined by JEDEC specifications. The low-k board gives average in-use condition thermal performance and consists of a single trace layer 25-mm long and 2-oz thick copper. The high-k board gives best case in-use condition and consists of two 1-oz buried power planes with a single trace layer 25-mm long with 2-oz thick copper. A 4% to 50% difference in  $\theta_{JA}$  can be measured between these two test cards.

$\theta_{JC}$  (Junction-to-Case Thermal Resistance) is defined as difference in junction temperature to case divided by the operating power. It is measured by putting the mounted package up against a copper block cold plate to force heat to flow from die, through the mold compound into the copper block.

$\theta_{JC}$  is a useful thermal characteristic when a heatsink is applied to package. It is NOT a useful characteristic to predict junction temperature as it provides pessimistic numbers if the case temperature is measured in a non-standard system and junction temperatures are backed out. It can be used with  $\theta_{JB}$  in 1-dimensional thermal simulation of a package system.

$\theta_{JB}$  (Junction-to-Board Thermal Resistance) is defined to be the difference in the junction temperature and the PCB temperature at the center of the package (closest to the die) when the PCB is clamped in a cold-plate structure.  $\theta_{JB}$  is only defined for the high-k test card.

$\theta_{JB}$  provides an overall thermal resistance between the die and the PCB. It includes a bit of the PCB thermal resistance (especially for BGAs with thermal balls) and can be used for simple 1-dimensional network analysis of package system (see [Figure 27](#)).

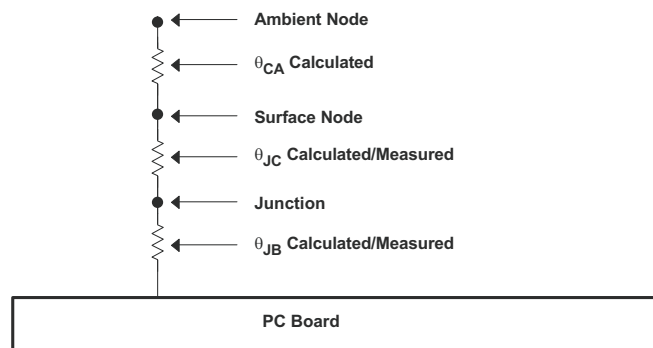


Figure 27. Thermal Resistance

## 12 Device and Documentation Support

### 12.1 Device Support

#### 12.1.1 Third-Party Products Disclaimer

TI'S PUBLICATION OF INFORMATION REGARDING THIRD-PARTY PRODUCTS OR SERVICES DOES NOT CONSTITUTE AN ENDORSEMENT REGARDING THE SUITABILITY OF SUCH PRODUCTS OR SERVICES OR A WARRANTY, REPRESENTATION OR ENDORSEMENT OF SUCH PRODUCTS OR SERVICES, EITHER ALONE OR IN COMBINATION WITH ANY TI PRODUCT OR SERVICE.

### 12.2 Related Links

The table below lists quick access links. Categories include technical documents, support and community resources, tools and software, and quick access to sample or buy.

**Table 4. Related Links**

| PARTS        | PRODUCT FOLDER             | SAMPLE & BUY               | TECHNICAL DOCUMENTS        | TOOLS & SOFTWARE           | SUPPORT & COMMUNITY        |
|--------------|----------------------------|----------------------------|----------------------------|----------------------------|----------------------------|
| SN65HVD3082E | <a href="#">Click here</a> | <a href="#">Click here</a> | <a href="#">Click here</a> | <a href="#">Click here</a> | <a href="#">Click here</a> |
| SN75HVD3082E | <a href="#">Click here</a> | <a href="#">Click here</a> | <a href="#">Click here</a> | <a href="#">Click here</a> | <a href="#">Click here</a> |
| SN65HVD3085E | <a href="#">Click here</a> | <a href="#">Click here</a> | <a href="#">Click here</a> | <a href="#">Click here</a> | <a href="#">Click here</a> |
| SH65HVD3088E | <a href="#">Click here</a> | <a href="#">Click here</a> | <a href="#">Click here</a> | <a href="#">Click here</a> | <a href="#">Click here</a> |

### 12.3 Community Resources

The following links connect to TI community resources. Linked contents are provided "AS IS" by the respective contributors. They do not constitute TI specifications and do not necessarily reflect TI's views; see TI's [Terms of Use](#).

**TI E2E™ Online Community** *TI's Engineer-to-Engineer (E2E) Community*. Created to foster collaboration among engineers. At [e2e.ti.com](http://e2e.ti.com), you can ask questions, share knowledge, explore ideas and help solve problems with fellow engineers.

**Design Support** *TI's Design Support* Quickly find helpful E2E forums along with design support tools and contact information for technical support.

### 12.4 Trademarks

E2E is a trademark of Texas Instruments.  
All other trademarks are the property of their respective owners.

### 12.5 Electrostatic Discharge Caution



These devices have limited built-in ESD protection. The leads should be shorted together or the device placed in conductive foam during storage or handling to prevent electrostatic damage to the MOS gates.

### 12.6 Glossary

[SLYZ022](#) — *TI Glossary*.

This glossary lists and explains terms, acronyms, and definitions.

## 13 Mechanical, Packaging, and Orderable Information

The following pages include mechanical, packaging, and orderable information. This information is the most current data available for the designated devices. This data is subject to change without notice and revision of this document. For browser-based versions of this data sheet, refer to the left-hand navigation.

**PACKAGING INFORMATION**

| Orderable Device   | Status<br>(1) | Package Type | Package<br>Drawing | Pins | Package<br>Qty | Eco Plan<br>(2)            | Lead/Ball Finish<br>(6)    | MSL Peak Temp<br>(3) | Op Temp (°C) | Device Marking<br>(4/5) | Samples                 |
|--------------------|---------------|--------------|--------------------|------|----------------|----------------------------|----------------------------|----------------------|--------------|-------------------------|-------------------------|
| SN65HVD3082ED      | ACTIVE        | SOIC         | D                  | 8    | 75             | Green (RoHS<br>& no Sb/Br) | CU NIPDAU                  | Level-1-260C-UNLIM   | -40 to 85    | VP3082                  | <a href="#">Samples</a> |
| SN65HVD3082EDG4    | ACTIVE        | SOIC         | D                  | 8    | 75             | Green (RoHS<br>& no Sb/Br) | CU NIPDAU                  | Level-1-260C-UNLIM   | -40 to 85    | VP3082                  | <a href="#">Samples</a> |
| SN65HVD3082EDGK    | ACTIVE        | VSSOP        | DGK                | 8    | 80             | Green (RoHS<br>& no Sb/Br) | CU NIPDAU  <br>CU NIPDAUAG | Level-1-260C-UNLIM   | -40 to 85    | NWN                     | <a href="#">Samples</a> |
| SN65HVD3082EDGKR   | ACTIVE        | VSSOP        | DGK                | 8    | 2500           | Green (RoHS<br>& no Sb/Br) | CU NIPDAU  <br>CU NIPDAUAG | Level-1-260C-UNLIM   | -40 to 85    | NWN                     | <a href="#">Samples</a> |
| SN65HVD3082EDR     | ACTIVE        | SOIC         | D                  | 8    | 2500           | Green (RoHS<br>& no Sb/Br) | CU NIPDAU                  | Level-1-260C-UNLIM   | -40 to 85    | VP3082                  | <a href="#">Samples</a> |
| SN65HVD3082EDRG4   | ACTIVE        | SOIC         | D                  | 8    | 2500           | Green (RoHS<br>& no Sb/Br) | CU NIPDAU                  | Level-1-260C-UNLIM   | -40 to 85    | VP3082                  | <a href="#">Samples</a> |
| SN65HVD3082EP      | ACTIVE        | PDIP         | P                  | 8    | 50             | Pb-Free<br>(RoHS)          | CU NIPDAU                  | N / A for Pkg Type   | -40 to 85    | 65HVD3082               | <a href="#">Samples</a> |
| SN65HVD3082EPE4    | ACTIVE        | PDIP         | P                  | 8    | 50             | Pb-Free<br>(RoHS)          | CU NIPDAU                  | N / A for Pkg Type   | -40 to 85    | 65HVD3082               | <a href="#">Samples</a> |
| SN65HVD3085ED      | ACTIVE        | SOIC         | D                  | 8    | 75             | Green (RoHS<br>& no Sb/Br) | CU NIPDAU                  | Level-1-260C-UNLIM   | -40 to 85    | VP3085                  | <a href="#">Samples</a> |
| SN65HVD3085EDG4    | ACTIVE        | SOIC         | D                  | 8    | 75             | Green (RoHS<br>& no Sb/Br) | CU NIPDAU                  | Level-1-260C-UNLIM   | -40 to 85    | VP3085                  | <a href="#">Samples</a> |
| SN65HVD3085EDGK    | ACTIVE        | VSSOP        | DGK                | 8    | 80             | Green (RoHS<br>& no Sb/Br) | CU NIPDAU  <br>CU NIPDAUAG | Level-1-260C-UNLIM   | -40 to 85    | NWK                     | <a href="#">Samples</a> |
| SN65HVD3085EDGKG4  | ACTIVE        | VSSOP        | DGK                | 8    | 80             | Green (RoHS<br>& no Sb/Br) | CU NIPDAU                  | Level-1-260C-UNLIM   | -40 to 85    | NWK                     | <a href="#">Samples</a> |
| SN65HVD3085EDGKR   | ACTIVE        | VSSOP        | DGK                | 8    | 2500           | Green (RoHS<br>& no Sb/Br) | CU NIPDAU  <br>CU NIPDAUAG | Level-1-260C-UNLIM   | -40 to 85    | NWK                     | <a href="#">Samples</a> |
| SN65HVD3085EDGKRG4 | ACTIVE        | VSSOP        | DGK                | 8    | 2500           | Green (RoHS<br>& no Sb/Br) | CU NIPDAU                  | Level-1-260C-UNLIM   | -40 to 85    | NWK                     | <a href="#">Samples</a> |
| SN65HVD3085EDR     | ACTIVE        | SOIC         | D                  | 8    | 2500           | Green (RoHS<br>& no Sb/Br) | CU NIPDAU                  | Level-1-260C-UNLIM   | -40 to 85    | VP3085                  | <a href="#">Samples</a> |
| SN65HVD3085EDRG4   | ACTIVE        | SOIC         | D                  | 8    |                | TBD                        | Call TI                    | Call TI              | -40 to 85    |                         | <a href="#">Samples</a> |
| SN65HVD3088ED      | ACTIVE        | SOIC         | D                  | 8    | 75             | Green (RoHS<br>& no Sb/Br) | CU NIPDAU                  | Level-1-260C-UNLIM   | -40 to 85    | VP3088                  | <a href="#">Samples</a> |



| Orderable Device   | Status<br>(1) | Package Type | Package Drawing | Pins | Package Qty | Eco Plan<br>(2)         | Lead/Ball Finish<br>(6)    | MSL Peak Temp<br>(3) | Op Temp (°C) | Device Marking<br>(4/5) | Samples                 |
|--------------------|---------------|--------------|-----------------|------|-------------|-------------------------|----------------------------|----------------------|--------------|-------------------------|-------------------------|
| SN65HVD3088EDG4    | ACTIVE        | SOIC         | D               | 8    | 75          | Green (RoHS & no Sb/Br) | CU NIPDAU                  | Level-1-260C-UNLIM   | -40 to 85    | VP3088                  | <a href="#">Samples</a> |
| SN65HVD3088EDGK    | ACTIVE        | VSSOP        | DGK             | 8    | 80          | Green (RoHS & no Sb/Br) | CU NIPDAU  <br>CU NIPDAUAG | Level-1-260C-UNLIM   | -40 to 85    | NWH                     | <a href="#">Samples</a> |
| SN65HVD3088EDGKG4  | ACTIVE        | VSSOP        | DGK             | 8    | 80          | Green (RoHS & no Sb/Br) | CU NIPDAU                  | Level-1-260C-UNLIM   | -40 to 85    | NWH                     | <a href="#">Samples</a> |
| SN65HVD3088EDGKR   | ACTIVE        | VSSOP        | DGK             | 8    | 2500        | Green (RoHS & no Sb/Br) | CU NIPDAU  <br>CU NIPDAUAG | Level-1-260C-UNLIM   | -40 to 85    | NWH                     | <a href="#">Samples</a> |
| SN65HVD3088EDGKRG4 | ACTIVE        | VSSOP        | DGK             | 8    | 2500        | Green (RoHS & no Sb/Br) | CU NIPDAU                  | Level-1-260C-UNLIM   | -40 to 85    | NWH                     | <a href="#">Samples</a> |
| SN65HVD3088EDR     | ACTIVE        | SOIC         | D               | 8    | 2500        | Green (RoHS & no Sb/Br) | CU NIPDAU                  | Level-1-260C-UNLIM   | -40 to 85    | VP3088                  | <a href="#">Samples</a> |
| SN65HVD3088EDRG4   | ACTIVE        | SOIC         | D               | 8    | 2500        | Green (RoHS & no Sb/Br) | CU NIPDAU                  | Level-1-260C-UNLIM   | -40 to 85    | VP3088                  | <a href="#">Samples</a> |
| SN75HVD3082ED      | ACTIVE        | SOIC         | D               | 8    | 75          | Green (RoHS & no Sb/Br) | CU NIPDAU                  | Level-1-260C-UNLIM   | 0 to 70      | VN3082                  | <a href="#">Samples</a> |
| SN75HVD3082EDG4    | ACTIVE        | SOIC         | D               | 8    | 75          | Green (RoHS & no Sb/Br) | CU NIPDAU                  | Level-1-260C-UNLIM   | 0 to 70      | VN3082                  | <a href="#">Samples</a> |
| SN75HVD3082EDGK    | ACTIVE        | VSSOP        | DGK             | 8    | 80          | Green (RoHS & no Sb/Br) | CU NIPDAU                  | Level-1-260C-UNLIM   | 0 to 70      | NWM                     | <a href="#">Samples</a> |
| SN75HVD3082EDGKG4  | ACTIVE        | VSSOP        | DGK             | 8    | 80          | Green (RoHS & no Sb/Br) | CU NIPDAU                  | Level-1-260C-UNLIM   | 0 to 70      | NWM                     | <a href="#">Samples</a> |
| SN75HVD3082EDGKR   | ACTIVE        | VSSOP        | DGK             | 8    | 2500        | Green (RoHS & no Sb/Br) | CU NIPDAU   Call TI        | Level-1-260C-UNLIM   | 0 to 70      | NWM                     | <a href="#">Samples</a> |
| SN75HVD3082EDGKRG4 | ACTIVE        | VSSOP        | DGK             | 8    | 2500        | Green (RoHS & no Sb/Br) | CU NIPDAU                  | Level-1-260C-UNLIM   | 0 to 70      | NWM                     | <a href="#">Samples</a> |
| SN75HVD3082EDR     | ACTIVE        | SOIC         | D               | 8    | 2500        | Green (RoHS & no Sb/Br) | CU NIPDAU                  | Level-1-260C-UNLIM   | 0 to 70      | VN3082                  | <a href="#">Samples</a> |
| SN75HVD3082EDRG4   | ACTIVE        | SOIC         | D               | 8    | 2500        | Green (RoHS & no Sb/Br) | CU NIPDAU                  | Level-1-260C-UNLIM   | 0 to 70      | VN3082                  | <a href="#">Samples</a> |
| SN75HVD3082EP      | ACTIVE        | PDIP         | P               | 8    | 50          | Pb-Free (RoHS)          | CU NIPDAU                  | N / A for Pkg Type   | 0 to 70      | 75HVD3082               | <a href="#">Samples</a> |
| SN75HVD3082EPE4    | ACTIVE        | PDIP         | P               | 8    | 50          | Pb-Free (RoHS)          | CU NIPDAU                  | N / A for Pkg Type   | 0 to 70      | 75HVD3082               | <a href="#">Samples</a> |
| SNHVD3082EDGKG4    | ACTIVE        | VSSOP        | DGK             | 8    | 80          | Green (RoHS & no Sb/Br) | CU NIPDAU                  | Level-1-260C-UNLIM   | -40 to 85    | NWN                     | <a href="#">Samples</a> |

(1) The marketing status values are defined as follows:

**ACTIVE:** Product device recommended for new designs.

**LIFEBUY:** TI has announced that the device will be discontinued, and a lifetime-buy period is in effect.

**NRND:** Not recommended for new designs. Device is in production to support existing customers, but TI does not recommend using this part in a new design.

**PREVIEW:** Device has been announced but is not in production. Samples may or may not be available.

**OBSOLETE:** TI has discontinued the production of the device.

(2) Eco Plan - The planned eco-friendly classification: Pb-Free (RoHS), Pb-Free (RoHS Exempt), or Green (RoHS & no Sb/Br) - please check <http://www.ti.com/productcontent> for the latest availability information and additional product content details.

**TBD:** The Pb-Free/Green conversion plan has not been defined.

**Pb-Free (RoHS):** TI's terms "Lead-Free" or "Pb-Free" mean semiconductor products that are compatible with the current RoHS requirements for all 6 substances, including the requirement that lead not exceed 0.1% by weight in homogeneous materials. Where designed to be soldered at high temperatures, TI Pb-Free products are suitable for use in specified lead-free processes.

**Pb-Free (RoHS Exempt):** This component has a RoHS exemption for either 1) lead-based flip-chip solder bumps used between the die and package, or 2) lead-based die adhesive used between the die and leadframe. The component is otherwise considered Pb-Free (RoHS compatible) as defined above.

**Green (RoHS & no Sb/Br):** TI defines "Green" to mean Pb-Free (RoHS compatible), and free of Bromine (Br) and Antimony (Sb) based flame retardants (Br or Sb do not exceed 0.1% by weight in homogeneous material)

(3) MSL, Peak Temp. - The Moisture Sensitivity Level rating according to the JEDEC industry standard classifications, and peak solder temperature.

(4) There may be additional marking, which relates to the logo, the lot trace code information, or the environmental category on the device.

(5) Multiple Device Markings will be inside parentheses. Only one Device Marking contained in parentheses and separated by a "~" will appear on a device. If a line is indented then it is a continuation of the previous line and the two combined represent the entire Device Marking for that device.

(6) Lead/Ball Finish - Orderable Devices may have multiple material finish options. Finish options are separated by a vertical ruled line. Lead/Ball Finish values may wrap to two lines if the finish value exceeds the maximum column width.

**Important Information and Disclaimer:** The information provided on this page represents TI's knowledge and belief as of the date that it is provided. TI bases its knowledge and belief on information provided by third parties, and makes no representation or warranty as to the accuracy of such information. Efforts are underway to better integrate information from third parties. TI has taken and continues to take reasonable steps to provide representative and accurate information but may not have conducted destructive testing or chemical analysis on incoming materials and chemicals. TI and TI suppliers consider certain information to be proprietary, and thus CAS numbers and other limited information may not be available for release.

In no event shall TI's liability arising out of such information exceed the total purchase price of the TI part(s) at issue in this document sold by TI to Customer on an annual basis.

**TAPE AND REEL INFORMATION**

**QUADRANT ASSIGNMENTS FOR PIN 1 ORIENTATION IN TAPE**


\*All dimensions are nominal

| Device           | Package Type | Package Drawing | Pins | SPQ  | Reel Diameter (mm) | Reel Width W1 (mm) | A0 (mm) | B0 (mm) | K0 (mm) | P1 (mm) | W (mm) | Pin1 Quadrant |
|------------------|--------------|-----------------|------|------|--------------------|--------------------|---------|---------|---------|---------|--------|---------------|
| SN65HVD3082EDGKR | VSSOP        | DGK             | 8    | 2500 | 330.0              | 12.4               | 5.3     | 3.4     | 1.4     | 8.0     | 12.0   | Q1            |
| SN65HVD3082EDR   | SOIC         | D               | 8    | 2500 | 330.0              | 12.4               | 6.4     | 5.2     | 2.1     | 8.0     | 12.0   | Q1            |
| SN65HVD3082EDR   | SOIC         | D               | 8    | 2500 | 330.0              | 12.4               | 6.4     | 5.2     | 2.1     | 8.0     | 12.0   | Q1            |
| SN65HVD3085EDGKR | VSSOP        | DGK             | 8    | 2500 | 330.0              | 12.4               | 5.3     | 3.4     | 1.4     | 8.0     | 12.0   | Q1            |
| SN65HVD3085EDR   | SOIC         | D               | 8    | 2500 | 330.0              | 12.4               | 6.4     | 5.2     | 2.1     | 8.0     | 12.0   | Q1            |
| SN65HVD3088EDGKR | VSSOP        | DGK             | 8    | 2500 | 330.0              | 12.4               | 5.3     | 3.4     | 1.4     | 8.0     | 12.0   | Q1            |
| SN65HVD3088EDR   | SOIC         | D               | 8    | 2500 | 330.0              | 12.4               | 6.4     | 5.2     | 2.1     | 8.0     | 12.0   | Q1            |
| SN75HVD3082EDGKR | VSSOP        | DGK             | 8    | 2500 | 330.0              | 12.4               | 5.3     | 3.4     | 1.4     | 8.0     | 12.0   | Q1            |
| SN75HVD3082EDR   | SOIC         | D               | 8    | 2500 | 330.0              | 12.4               | 6.4     | 5.2     | 2.1     | 8.0     | 12.0   | Q1            |

**TAPE AND REEL BOX DIMENSIONS**


\*All dimensions are nominal

| Device           | Package Type | Package Drawing | Pins | SPQ  | Length (mm) | Width (mm) | Height (mm) |
|------------------|--------------|-----------------|------|------|-------------|------------|-------------|
| SN65HVD3082EDGKR | VSSOP        | DGK             | 8    | 2500 | 367.0       | 367.0      | 35.0        |
| SN65HVD3082EDR   | SOIC         | D               | 8    | 2500 | 340.5       | 338.1      | 20.6        |
| SN65HVD3082EDR   | SOIC         | D               | 8    | 2500 | 367.0       | 367.0      | 35.0        |
| SN65HVD3085EDGKR | VSSOP        | DGK             | 8    | 2500 | 367.0       | 367.0      | 35.0        |
| SN65HVD3085EDR   | SOIC         | D               | 8    | 2500 | 340.5       | 338.1      | 20.6        |
| SN65HVD3088EDGKR | VSSOP        | DGK             | 8    | 2500 | 367.0       | 367.0      | 35.0        |
| SN65HVD3088EDR   | SOIC         | D               | 8    | 2500 | 340.5       | 338.1      | 20.6        |
| SN75HVD3082EDGKR | VSSOP        | DGK             | 8    | 2500 | 367.0       | 367.0      | 35.0        |
| SN75HVD3082EDR   | SOIC         | D               | 8    | 2500 | 340.5       | 338.1      | 20.6        |

P (R-PDIP-T8)

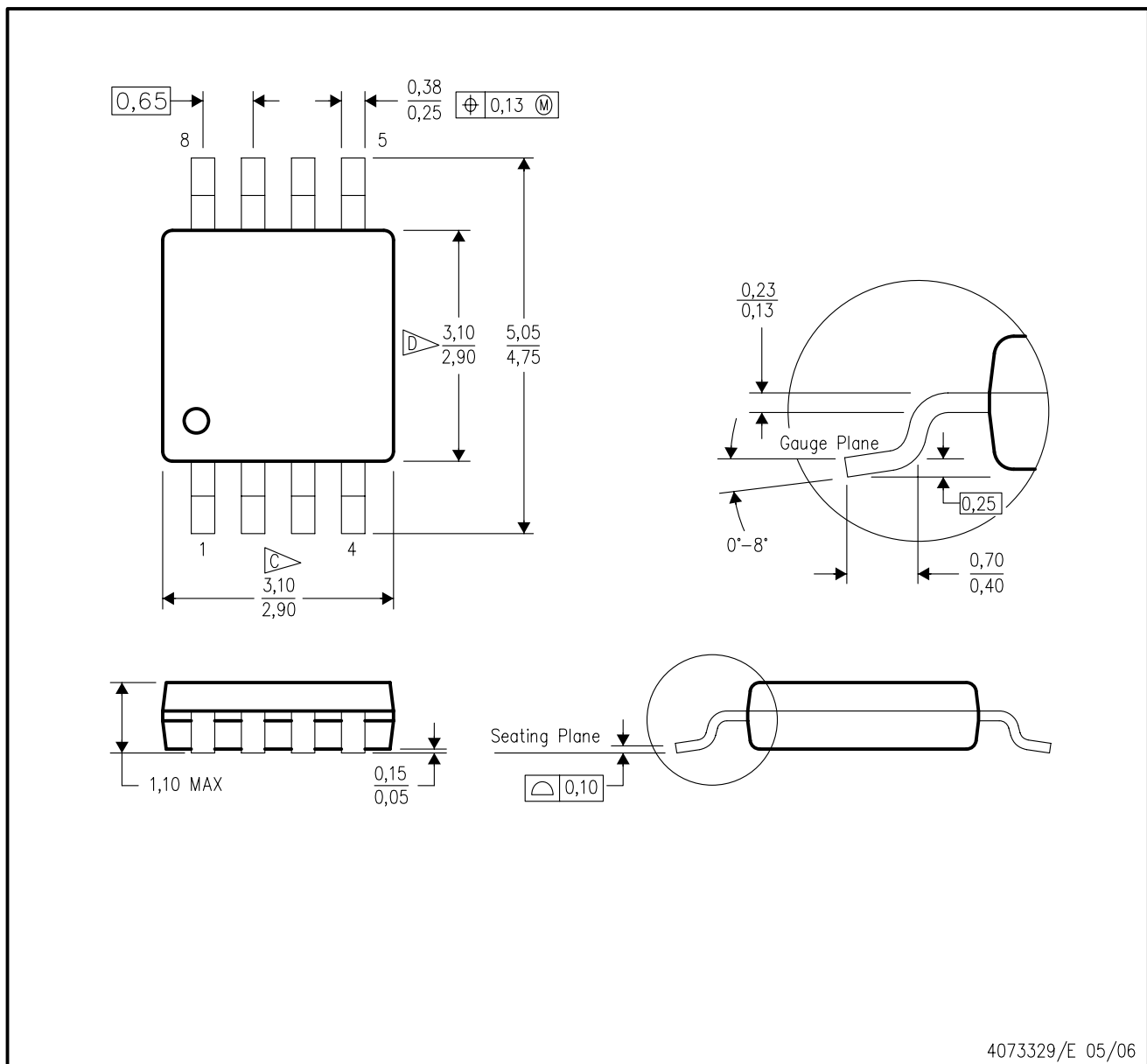
PLASTIC DUAL-IN-LINE PACKAGE



- NOTES:
- A. All linear dimensions are in inches (millimeters).
  - B. This drawing is subject to change without notice.
  - C. Falls within JEDEC MS-001 variation BA.

DGK (S-PDSO-G8)

PLASTIC SMALL-OUTLINE PACKAGE



- NOTES:
- All linear dimensions are in millimeters.
  - This drawing is subject to change without notice.
  - Body length does not include mold flash, protrusions, or gate burrs. Mold flash, protrusions, or gate burrs shall not exceed 0.15 per end.
  - Body width does not include interlead flash. Interlead flash shall not exceed 0.50 per side.
  - Falls within JEDEC MO-187 variation AA, except interlead flash.





- NOTES:
- A. All linear dimensions are in millimeters.
  - B. This drawing is subject to change without notice.
  - C. Publication IPC-7351 is recommended for alternate designs.
  - D. Laser cutting apertures with trapezoidal walls and also rounding corners will offer better paste release. Customers should contact their board assembly site for stencil design recommendations. Refer to IPC-7525 for other stencil recommendations.
  - E. Customers should contact their board fabrication site for solder mask tolerances between and around signal pads.

D (R-PDSO-G8)

PLASTIC SMALL OUTLINE



4040047-3/M 06/11

- NOTES:
- A. All linear dimensions are in inches (millimeters).
  - B. This drawing is subject to change without notice.
  -  Body length does not include mold flash, protrusions, or gate burrs. Mold flash, protrusions, or gate burrs shall not exceed 0.006 (0,15) each side.
  -  Body width does not include interlead flash. Interlead flash shall not exceed 0.017 (0,43) each side.
  - E. Reference JEDEC MS-012 variation AA.



D (R-PDSO-G8)

PLASTIC SMALL OUTLINE



4211283-2/E 08/12

- NOTES:
- A. All linear dimensions are in millimeters.
  - B. This drawing is subject to change without notice.
  - C. Publication IPC-7351 is recommended for alternate designs.
  - D. Laser cutting apertures with trapezoidal walls and also rounding corners will offer better paste release. Customers should contact their board assembly site for stencil design recommendations. Refer to IPC-7525 for other stencil recommendations.
  - E. Customers should contact their board fabrication site for solder mask tolerances between and around signal pads.

## IMPORTANT NOTICE

Texas Instruments Incorporated and its subsidiaries (TI) reserve the right to make corrections, enhancements, improvements and other changes to its semiconductor products and services per JESD46, latest issue, and to discontinue any product or service per JESD48, latest issue. Buyers should obtain the latest relevant information before placing orders and should verify that such information is current and complete. All semiconductor products (also referred to herein as "components") are sold subject to TI's terms and conditions of sale supplied at the time of order acknowledgment.

TI warrants performance of its components to the specifications applicable at the time of sale, in accordance with the warranty in TI's terms and conditions of sale of semiconductor products. Testing and other quality control techniques are used to the extent TI deems necessary to support this warranty. Except where mandated by applicable law, testing of all parameters of each component is not necessarily performed.

TI assumes no liability for applications assistance or the design of Buyers' products. Buyers are responsible for their products and applications using TI components. To minimize the risks associated with Buyers' products and applications, Buyers should provide adequate design and operating safeguards.

TI does not warrant or represent that any license, either express or implied, is granted under any patent right, copyright, mask work right, or other intellectual property right relating to any combination, machine, or process in which TI components or services are used. Information published by TI regarding third-party products or services does not constitute a license to use such products or services or a warranty or endorsement thereof. Use of such information may require a license from a third party under the patents or other intellectual property of the third party, or a license from TI under the patents or other intellectual property of TI.

Reproduction of significant portions of TI information in TI data books or data sheets is permissible only if reproduction is without alteration and is accompanied by all associated warranties, conditions, limitations, and notices. TI is not responsible or liable for such altered documentation. Information of third parties may be subject to additional restrictions.

Resale of TI components or services with statements different from or beyond the parameters stated by TI for that component or service voids all express and any implied warranties for the associated TI component or service and is an unfair and deceptive business practice. TI is not responsible or liable for any such statements.

Buyer acknowledges and agrees that it is solely responsible for compliance with all legal, regulatory and safety-related requirements concerning its products, and any use of TI components in its applications, notwithstanding any applications-related information or support that may be provided by TI. Buyer represents and agrees that it has all the necessary expertise to create and implement safeguards which anticipate dangerous consequences of failures, monitor failures and their consequences, lessen the likelihood of failures that might cause harm and take appropriate remedial actions. Buyer will fully indemnify TI and its representatives against any damages arising out of the use of any TI components in safety-critical applications.

In some cases, TI components may be promoted specifically to facilitate safety-related applications. With such components, TI's goal is to help enable customers to design and create their own end-product solutions that meet applicable functional safety standards and requirements. Nonetheless, such components are subject to these terms.

No TI components are authorized for use in FDA Class III (or similar life-critical medical equipment) unless authorized officers of the parties have executed a special agreement specifically governing such use.

Only those TI components which TI has specifically designated as military grade or "enhanced plastic" are designed and intended for use in military/aerospace applications or environments. Buyer acknowledges and agrees that any military or aerospace use of TI components which have **not** been so designated is solely at the Buyer's risk, and that Buyer is solely responsible for compliance with all legal and regulatory requirements in connection with such use.

TI has specifically designated certain components as meeting ISO/TS16949 requirements, mainly for automotive use. In any case of use of non-designated products, TI will not be responsible for any failure to meet ISO/TS16949.

### Products

|                              |  |
|------------------------------|--|
| Audio                        | <a href="http://www.ti.com/audio">www.ti.com/audio</a>                               |
| Amplifiers                   | <a href="http://amplifier.ti.com">amplifier.ti.com</a>                               |
| Data Converters              | <a href="http://dataconverter.ti.com">dataconverter.ti.com</a>                       |
| DLP® Products                | <a href="http://www.dlp.com">www.dlp.com</a>   |
| DSP                          | <a href="http://dsp.ti.com">dsp.ti.com</a>   |
| Clocks and Timers            | <a href="http://www.ti.com/clocks">www.ti.com/clocks</a>                             |
| Interface                    | <a href="http://interface.ti.com">interface.ti.com</a>                               |
| Logic                        | <a href="http://logic.ti.com">logic.ti.com</a>                                       |
| Power Mgmt                   | <a href="http://power.ti.com">power.ti.com</a>                                       |
| Microcontrollers             | <a href="http://microcontroller.ti.com">microcontroller.ti.com</a>                   |
| RFID                         | <a href="http://www.ti-rfid.com">www.ti-rfid.com</a>                                 |
| OMAP Applications Processors | <a href="http://www.ti.com/omap">www.ti.com/omap</a>                                 |
| Wireless Connectivity        | <a href="http://www.ti.com/wirelessconnectivity">www.ti.com/wirelessconnectivity</a> |

### Applications

|                               |  |
|-------------------------------|--|
| Automotive and Transportation | <a href="http://www.ti.com/automotive">www.ti.com/automotive</a>                         |
| Communications and Telecom    | <a href="http://www.ti.com/communications">www.ti.com/communications</a>                 |
| Computers and Peripherals     | <a href="http://www.ti.com/computers">www.ti.com/computers</a>                           |
| Consumer Electronics          | <a href="http://www.ti.com/consumer-apps">www.ti.com/consumer-apps</a>                   |
| Energy and Lighting           | <a href="http://www.ti.com/energy">www.ti.com/energy</a>                                 |
| Industrial                    | <a href="http://www.ti.com/industrial">www.ti.com/industrial</a>                         |
| Medical                       | <a href="http://www.ti.com/medical">www.ti.com/medical</a>                               |
| Security                      | <a href="http://www.ti.com/security">www.ti.com/security</a>                             |
| Space, Avionics and Defense   | <a href="http://www.ti.com/space-avionics-defense">www.ti.com/space-avionics-defense</a> |
| Video and Imaging             | <a href="http://www.ti.com/video">www.ti.com/video</a>                                   |

### TI E2E Community

[e2e.ti.com](http://e2e.ti.com)