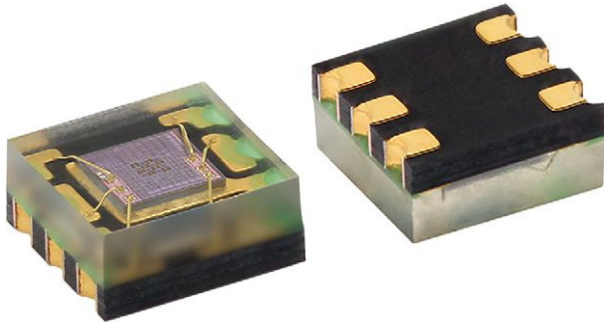


## High Accuracy Ambient Light Sensor With I<sup>2</sup>C Interface



### DESCRIPTION

VEML6030 is a high accuracy ambient light digital 16-bit resolution sensor in a miniature transparent 2 mm x 2 mm package. It includes a high sensitive photodiode, a low noise amplifier, a 16-bit A/D converter and supports an easy to use I<sup>2</sup>C bus communication interface and additional interrupt feature.

The ambient light result is as digital value available.

### APPLICATIONS

- Ambient light sensor for mobile devices (e.g. smart phones, touch phones, PDA, GPS) for backlight dimming
- Ambient light sensor for industrial on- / off-lighting operation
- Optical switch for consumer, computing, and industrial devices and displays

### FEATURES

- Package type: surface-mount
- Dimensions (L x W x H in mm): 2 x 2 x 0.87
- Integrated modules: ambient light sensor (ALS)
- Supply voltage range V<sub>DD</sub>: 2.5 V to 3.6 V
- Communication via I<sup>2</sup>C interface
- I<sup>2</sup>C bus H-level range: 1.7 V to 3.6 V
- Floor life: 72 h, MSL 4, according to J-STD-020
- Low stand by current consumption: typ. 0.5  $\mu$ A
- Material categorization: for definitions of compliance please see [www.vishay.com/doc?99912](http://www.vishay.com/doc?99912)



### AMBIENT LIGHT FUNCTION

- Filtron™ technology adaption: close to real human eye response
- O-Trim™ technology adoption: ALS output tolerance  $\leq 10\%$
- 16-bit dynamic range for ambient light detection from 0 lx to about 120 klx with resolution down to 0.0036 lx/ct, supports low transmittance (dark) lens design
- 100 Hz and 120 Hz flicker noise rejection
- Excellent temperature compensation
- High dynamic detection resolution
- Software shutdown mode control

### PRODUCT SUMMARY

PART NUMBER	OPERATING RANGE (mm)	OPERATING VOLTAGE RANGE (V)	I <sup>2</sup> C BUS VOLTAGE RANGE (V)	AMBIENT LIGHT RANGE (lx)	AMBIENT LIGHT RESOLUTION (lx)	OUTPUT CODE	ADC RESOLUTION PROXIMITY / AMBIENT LIGHT
VEML6030	n/a	2.5 to 3.6	1.7 to 3.6	0 to 120 000	0.0036	16 bit, I <sup>2</sup> C	- / 0.0036

### ORDERING INFORMATION

ORDERING CODE	PACKAGING	VOLUME <sup>(1)</sup>	REMARKS
VEML6030	Tape and reel	MOQ: 3000	2.0 mm x 2.0 mm x 0.87 mm
VEML6030-GS15		MOQ: 10 000	

#### Note

<sup>(1)</sup> MOQ: minimum order quantity

<b>ABSOLUTE MAXIMUM RATINGS</b> ( $T_{amb} = 25\text{ }^{\circ}\text{C}$ , unless otherwise specified)					
PARAMETER	TEST CONDITION	SYMBOL	MIN.	MAX.	UNIT
Supply voltage		$V_{DD}$	0	4	V
Operation temperature range		$T_{amb}$	-25	+85	$^{\circ}\text{C}$
Storage temperature range		$T_{stg}$	-25	+85	$^{\circ}\text{C}$
Total power dissipation	$T_{amb} \leq 25\text{ }^{\circ}\text{C}$	$P_{tot}$	-	50	mW
Junction temperature		$T_j$	-	110	$^{\circ}\text{C}$

<b>BASIC CHARACTERISTICS</b> ( $T_{amb} = 25\text{ }^{\circ}\text{C}$ , unless otherwise specified)						
PARAMETER	TEST CONDITION	SYMBOL	MIN.	TYP.	MAX.	UNIT
Supply voltage		$V_{DD}$	2.5	3.3	3.6	V
Shut down current <sup>(2)</sup>	$V_{DD}$ is 3.3 V	$I_{sd}$	-	0.5	-	$\mu\text{A}$
Operation mode current <sup>(1)</sup>	$V_{DD}$ is 3.3 V, PSM = 11, refresh time 4100 ms	$I_{DD}$	-	2	-	$\mu\text{A}$
	$V_{DD}$ is 3.3 V, PSM = 00, refresh time 600 ms	$I_{DD}$	-	8	-	$\mu\text{A}$
	$V_{DD}$ is 3.3 V, PSM_EN = 0, refresh time 100 ms	$I_{DD}$	-	45	-	$\mu\text{A}$
I <sup>2</sup> C clock rate range		$f_{SCL}$	10	-	400	kHz
I <sup>2</sup> C bus input H-level range	$V_{DD}$ is 3.3 V	$V_{ih}$	1.3	-	3.6	V
I <sup>2</sup> C bus input L-level range	$V_{DD}$ is 3.3 V	$V_{il}$	-0.3	-	0.4	V
Digital current out (low, current sink)		$I_{ol}$	3	-	-	mA
Digital resolution (LSB count)	with ALS_GAIN = "01"		-	0.0036	-	lx/step
Detectable minimum illuminance	with ALS_GAIN = "01"	$E_{V\ min.}$	-	0.0072	-	lx
Detectable maximum illuminance	with ALS_GAIN = "10"	$E_{V\ max.}$	-	120 000	-	lx
Dark offset <sup>(2)</sup>	with ALS_GAIN = "01"		-	3	-	step

**Notes**

- (1) Light source: white LED  
 (2) Light conditions: dark

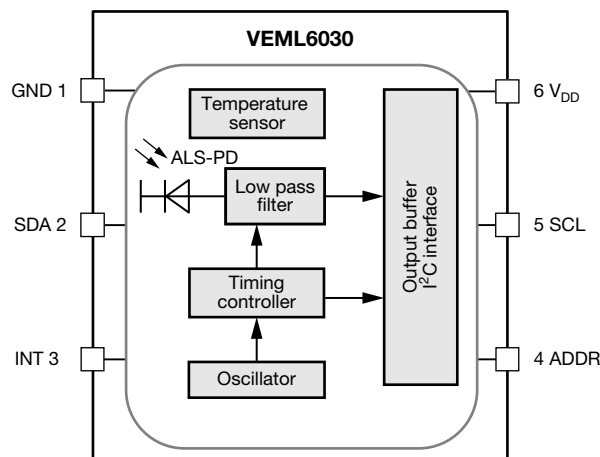
**CIRCUIT BLOCK DIAGRAM**


Fig. 1 - Block Diagram

<b>I<sup>2</sup>C TIMING CHARACTERISTICS</b> ( $T_{amb} = 25\text{ }^{\circ}\text{C}$ , unless otherwise specified)						
PARAMETER	SYMBOL	STANDARD MODE <sup>(1)</sup>		FAST MODE <sup>(1)</sup>		UNIT
		MIN.	MAX.	MIN.	MAX.	
Clock frequency	$f_{(SMBCLK)}$	10	100	10	400	kHz
Bus free time between start and stop condition	$t_{(BUF)}$	4.7	-	1.3	-	$\mu\text{s}$
Hold time after (repeated) start condition; after this period, the first clock is generated	$t_{(HDSTA)}$	4.0	-	0.6	-	$\mu\text{s}$
Repeated start condition setup time	$t_{(SUSTA)}$	4.7	-	0.6	-	$\mu\text{s}$
Stop condition setup time	$t_{(SUSTO)}$	4.0	-	0.6	-	$\mu\text{s}$
Data hold time	$t_{(HDDAT)}$	0	3450	0	900	ns
Data setup time	$t_{(SUDAT)}$	250	-	100	-	ns
I <sup>2</sup> C clock (SCK) low period	$t_{(LOW)}$	4.7	-	1.3	-	$\mu\text{s}$
I <sup>2</sup> C clock (SCK) high period	$t_{(HIGH)}$	4.0	-	0.6	-	$\mu\text{s}$
Detect clock / data low timeout	$t_{(TIMEOUT)}$	25	35	-	-	ms
Clock / data fall time	$t_{(F)}$	-	300	-	300	ns
Clock / data rise time	$t_{(R)}$	-	1000	-	300	ns

**Note**

(1) Data based on standard I<sup>2</sup>C protocol requirement, not tested in production

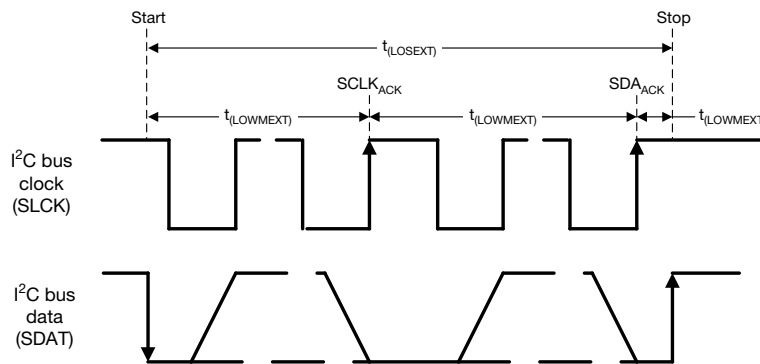
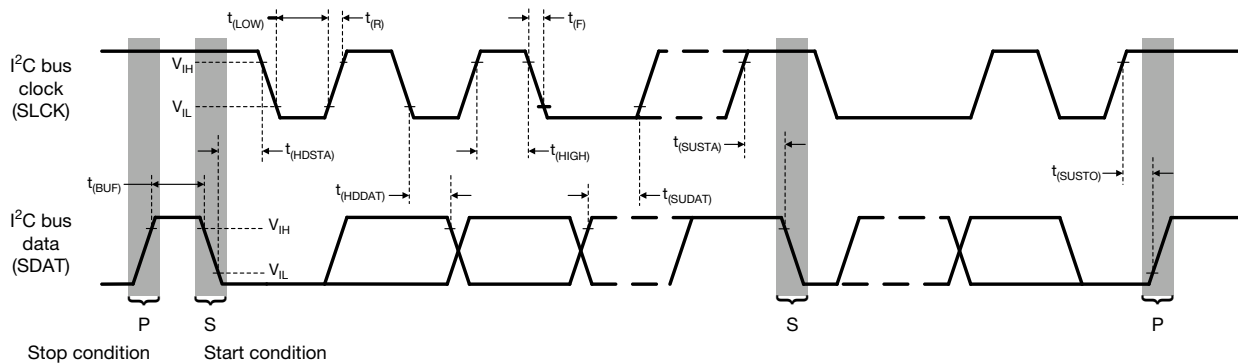


Fig. 2 - I<sup>2</sup>C Timing Diagram

**PARAMETER TIMING INFORMATION**

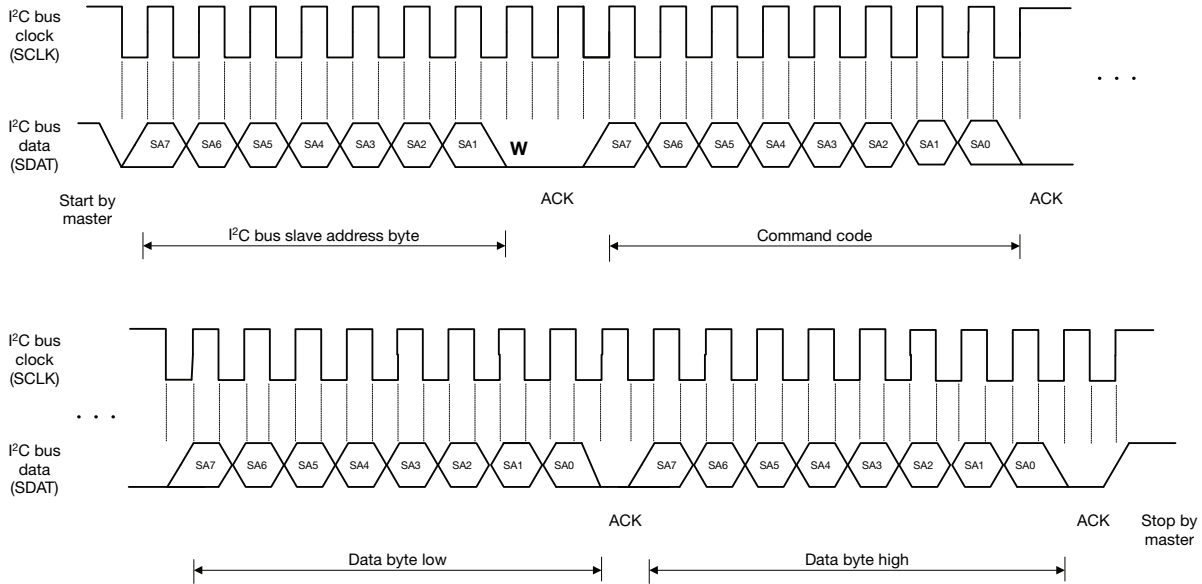


Fig. 3 - I<sup>2</sup>C Bus Timing for Sending Word Command Format

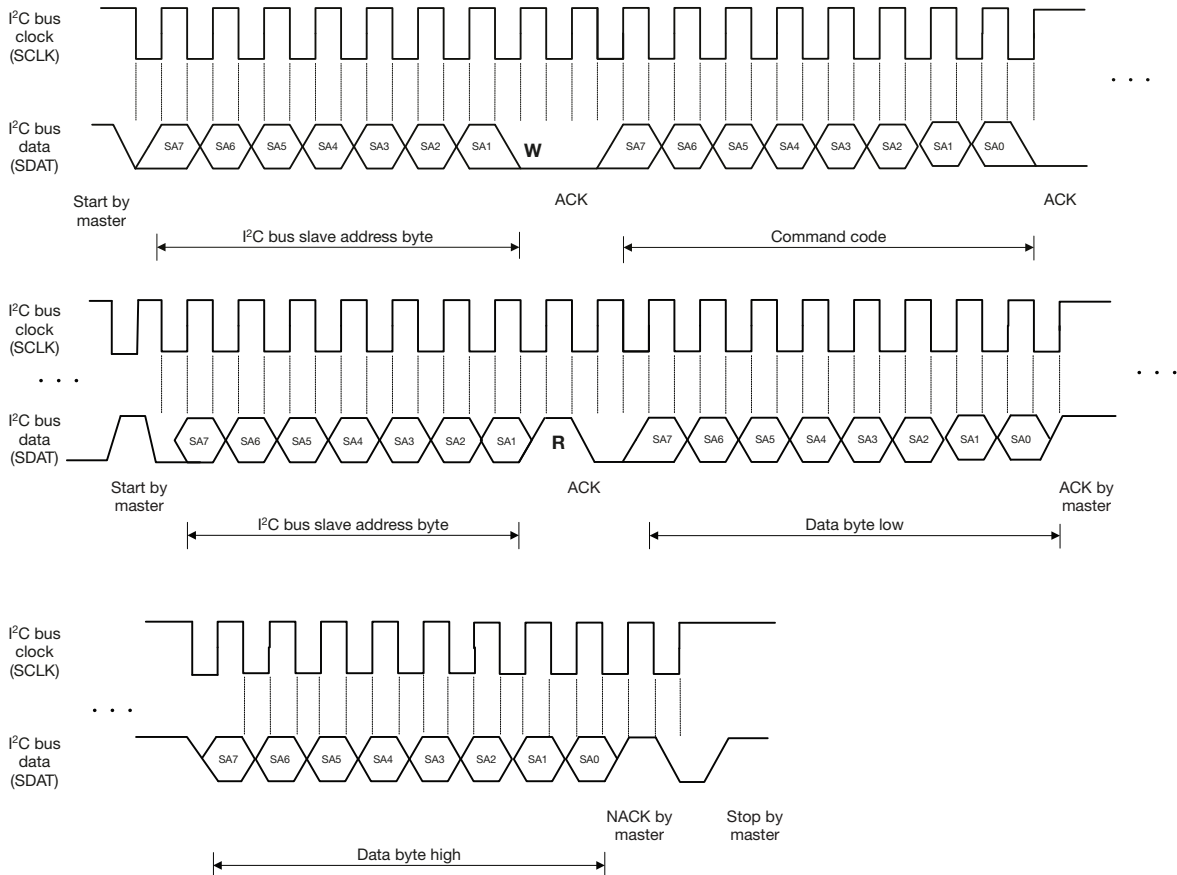


Fig. 4 - I<sup>2</sup>C Bus Timing for Receive Word Command Format

**BASIC CHARACTERISTICS** ( $T_{amb} = 25\text{ }^{\circ}\text{C}$ , unless otherwise specified)

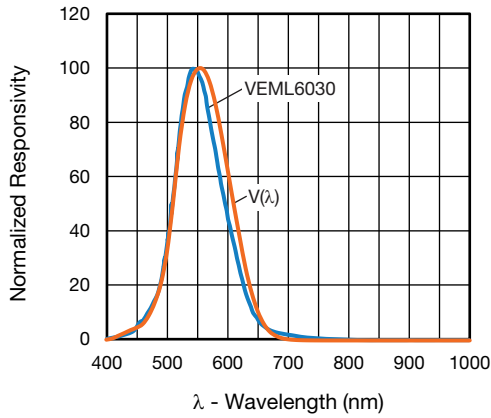


Fig. 5 - Spectral Response

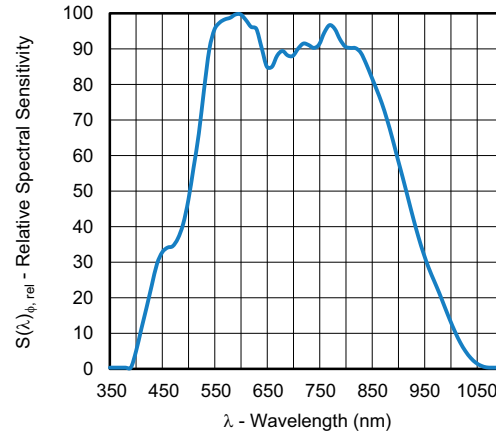


Fig. 6 - White Channel Responsivity

ALS sensitivity spectrum close to human eye photopic curve  $V(\lambda)$ . Human eye curve adaption achieved by Filtron technology.

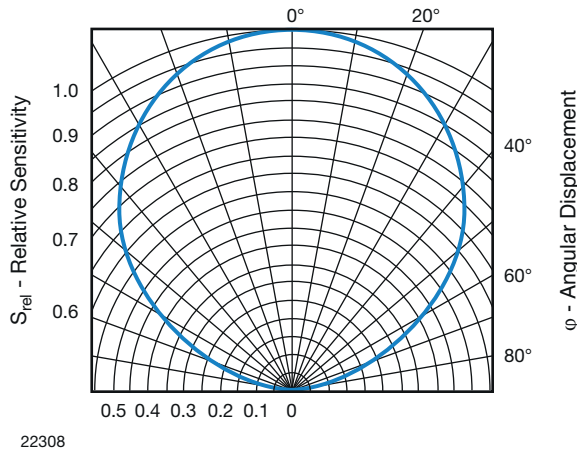


Fig. 7 - Relative Radiant Sensitivity vs. Angular Displacement

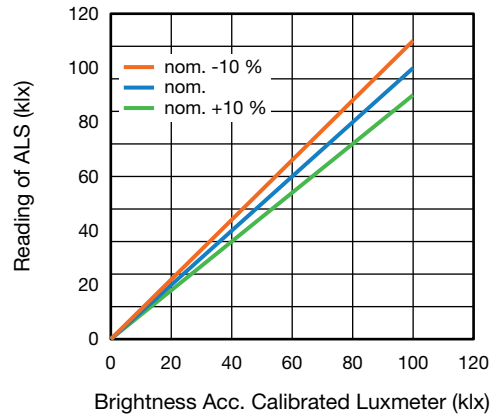


Fig. 8 - ALS measurement deviation between different light sources:  
≤ 10 %

**APPLICATION INFORMATION**

VEML6030 is a cost effective solution of ambient light sensor with I<sup>2</sup>C bus interface. The standard serial digital interface is easy to access “Ambient Light Signal” without complex calculation and programming by external controller. Beside the digital output also a flexible programmable interrupt pin is available.

**1. Application Circuit**

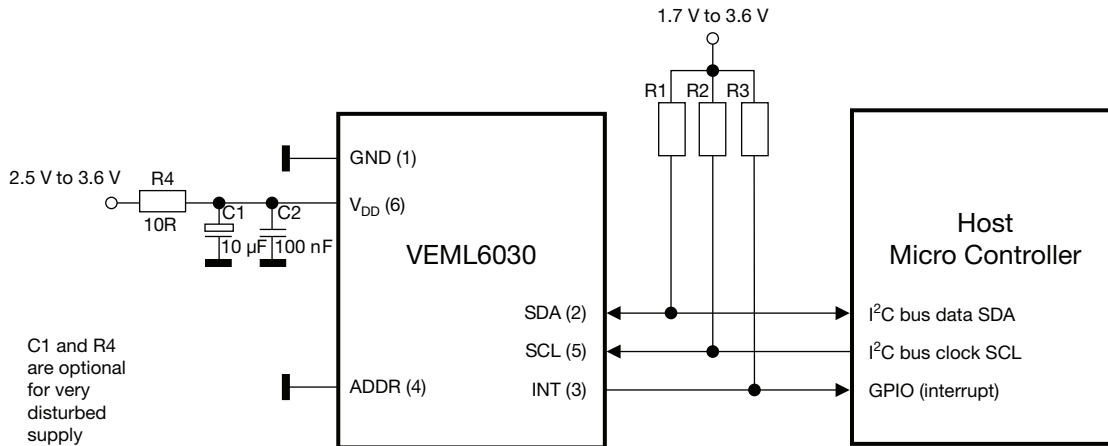


Fig. 9 - Application Circuit  
(x) = Pin Number

**Notes**

- The interrupt pin is an open drain output. Proposed values for the pull-up resistors should be > 1 kΩ, e.g. 2.2 kΩ to 4.7 kΩ for the R1 and R2 (at SDA and SCL) and 10 kΩ to 100 kΩ for R3 (at interrupt). Normally just one decoupling capacitor is needed. This should be ≥ 100 nF and placed close to the V<sub>DD</sub> pin. Pin ADDR allows for the device addresses: pin 4 = high (V<sub>DD</sub>) = 0x48, pin 4 = low (GND) = 0x10

For detailed description about set-up and use of the interrupt as well as more application related information see AN: “Designing VEML6030 into an Application”

**2. I<sup>2</sup>C Interface**

The VEML6030 contains actual six 16 bit command codes for operation control, parameter setup, and result buffering. All registers are accessible via I<sup>2</sup>C communication. Figure 7 shows the basic I<sup>2</sup>C communication with VEML6030.

The built in I<sup>2</sup>C interface is compatible with I<sup>2</sup>C modes “standard” and “fast”: 10 kHz to 400 kHz.

I<sup>2</sup>C H-level range = 1.3 V to 3.6 V.

Please refer to the I<sup>2</sup>C specification from NXP for details.

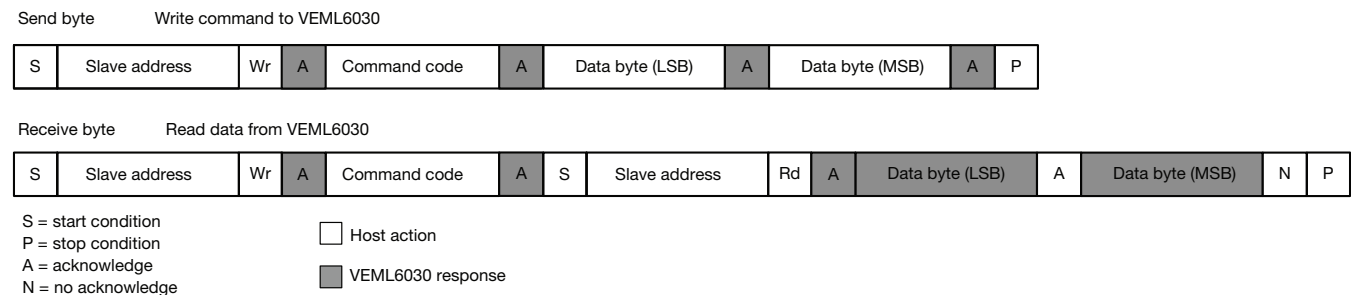


Fig. 10 - Send Byte / Receive Byte Protocol

**Device Address**

The VEML6030 has two fix slave addresses for the host programming and accessing selection.

With ADDR pin plugged to power supply = high = V<sub>DD</sub>, the predefined 7 bit I<sup>2</sup>C bus address is set to 1001000 = 0x48. The least significant bit (LSB) defines read or write mode.

Accordingly the bus address is set to 1001 0000 = 90h for write and 1001 0001 = 91h for read.

With ADDR pin plugged to ground = low, the slave address (7 bit) is set to 0010000 = 0x10. According 8 bit the bus address is then 0010 0000 = 20h for write and 0010 0001 = 21h for read.

**Register Addresses**

VEML6030 has actual six user accessible 16 bit command codes.

The addresses are 00h to 06h (03h not defined / reserved).

**Auto-Memorization**

VEML6030 can memorize the last ambient data before shutdown and keep this data before waking up.

When VEML6030 is in shutdown mode, the host can freely read this data via read command directly.

When VEML6030 wakes up, the data will be refreshed by new detection.

COMMAND REGISTER FORMAT				
COMMAND CODE	REGISTER NAME	BIT	FUNCTION / DESCRIPTION	R / W
00	ALS_CONF 0	15 : 0	ALS gain, integration time, interrupt, and shut down	W
01	ALS_WH	15 : 8	ALS high threshold window setting (MSB)	W
		7 : 0	ALS high threshold window setting (LSB)	W
02	ALS_WL	15 : 8	ALS low threshold window setting (MSB)	W
		7 : 0	ALS low threshold window setting (LSB)	W
03	Power saving	15 : 0	Set (15 : 3) 0000 0000 0000 0b	
04	ALS	15 : 8	MSB 8 bits data of whole ALS 16 bits	R
		7 : 0	LSB 8 bits data of whole ALS 16 bits	R
05	WHITE	15 : 8	MSB 8 bits data of whole WHITE 16 bits	R
		7 : 0	LSB 8 bits data of whole WHITE 16 bits	R
06	ALS_INT	15 : 0	ALS INT trigger event	R

**Note**

- Command code 0 default value is 01 = devices is shut down

**Command Code #0: Configuration Register**

Register address = 00h

The command code #0 is for configuration of the ambient light measurements.

TABLE 1 - CONFIGURATION REGISTER #0				
REGISTER NAME	BIT	FUNCTION / DESCRIPTION		R / W
Reserved	15 : 13	Set 000b		W
ALS_GAIN	12 : 11	Gain selection 00 = ALS gain x 1 01 = ALS gain x 2 10 = ALS gain x (1/8) 11 = ALS gain x (1/4)		W
reserved	10	Set 0b		W
ALS_IT	9 : 6	ALS integration time setting 1100 = 25 ms 1000 = 50 ms 0000 = 100 ms 0001 = 200 ms 0010 = 400 ms 0011 = 800 ms		W
ALS_PERS	5 : 4	ALS persistence protect number setting 00 = 1 01 = 2 10 = 4 11 = 8		W
Reserved	3 : 2	Set 00b		W
ALS_INT_EN	1	ALS interrupt enable setting 0 = ALS INT disable 1 = ALS INT enable		W
ALS_SD	0	ALS shut down setting 0 = ALS power on 1 = ALS shut down		W

**Note**

- Light level [lx] is (ALS OUTPUT DATA [dec.] / ALS Gain x responsivity). Please study also the application note



Command Code #1: High Threshold Windows Setting

Command code address = 01h. Once enable INT function and use high / low windows threshold, bit 15:0 provides 16 bit register for high bound threshold windows setting.

TABLE 2 - HIGH THRESHOLD WINDOWS SETTING #1															
Bit 15	Bit 14	Bit 13	Bit 12	Bit 11	Bit 10	Bit 9	Bit 8	Bit 7	Bit 6	Bit 5	Bit 4	Bit 3	Bit 2	Bit 1	Bit 0
<b>Description</b>															
ALS high threshold window setting (15:8 MSB 8 bits of whole 16 bits)															
ALS high threshold window setting (7:0 LSB 8 bits of whole 16 bits)															

Command Code #2: Low Threshold Windows Setting

Command code address = 02h. Once enable INT function and use high / low windows threshold, bit 15:0 provides 16 bit register for low bound threshold windows setting.

TABLE 3 - LOW THRESHOLD WINDOWS SETTING #2															
Bit 15	Bit 14	Bit 13	Bit 12	Bit 11	Bit 10	Bit 9	Bit 8	Bit 7	Bit 6	Bit 5	Bit 4	Bit 3	Bit 2	Bit 1	Bit 0
<b>Description</b>															
ALS low threshold window setting (15:8 MSB 8 bits of whole 16 bits)															
ALS low threshold window setting (7:0 LSB 8 bits of whole 16 bits)															

Command Code #3: Power Saving Mode: PSM

Command code address = 03h. Bits 2 and 1 define the power saving modes. Bits 15 : 3 are reserved.

TABLE 4 - POWER SAVING MODES				
COMMAND CODE	REGISTER NAME	BIT	FUNCTION / DESCRIPTION	R / W
03	PSM	2 : 1	Power saving mode; see table "Refresh time" 00 = mode 1 01 = mode 2 10 = mode 3 11 = mode 4	W
	PSM_EN	0	Power saving mode enable setting 0 = disable 1 = enable	W

Command Code #4: ALS High Resolution Output Data

Command code address = 04h. To access 16 bit high resolution ALS output, it is suitable to follow read protocol to read from command code #04 16 bits register.

TABLE 5 - ALS HIGH RESOLUTION OUTPUT DATA #4															
Bit 15	Bit 14	Bit 13	Bit 12	Bit 11	Bit 10	Bit 9	Bit 8	Bit 7	Bit 6	Bit 5	Bit 4	Bit 3	Bit 2	Bit 1	Bit 0
<b>Description</b>															
ALS high resolution output data (15 : 8 MSB 8 bits of whole 16 bits)															
ALS high resolution output data (7 : 0 LSB 8 bits of whole 16 bits)															

Command Code #5: White Channel Output Data

Command code address = 05h. To access 16 bit WHITE output, it is suitable to follow read protocol to read from command code #05 16 bits register.

TABLE 6 - WHITE CHANNEL OUTPUT DATA #5															
Bit 15	Bit 14	Bit 13	Bit 12	Bit 11	Bit 10	Bit 9	Bit 8	Bit 7	Bit 6	Bit 5	Bit 4	Bit 3	Bit 2	Bit 1	Bit 0
<b>Description</b>															
WHITE output data (15 : 8 MSB 8 bits of whole 16 bits)															
WHITE output data (7 : 0 LSB 8 bits of whole 16 bits)															





Command Code #6: Interrupt Status

Command code address = 06h. Bit 15 defines interrupt flag while trigger occurred due to data crossing low threshold windows. Bit 14 defines interrupt flag while trigger occurred due to data crossing high threshold windows.

TABLE 7 - INTERRUPT STATUS #6		
Bit 15	Bit 14	Bit 13 to 0
int_th_low	int_th_high	reserved
Description		
int_th_low	Read bit. Indicated a low threshold exceed	
int_th_high	Read bit. Indicated a high threshold exceed	

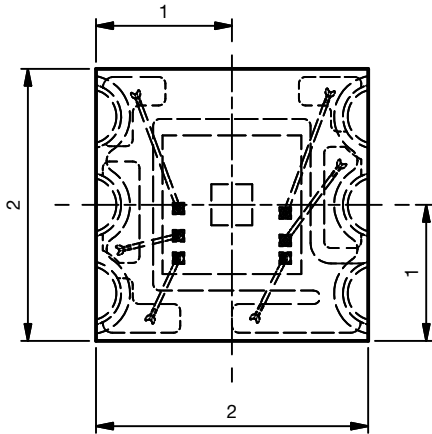
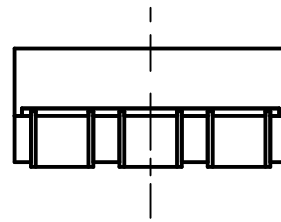
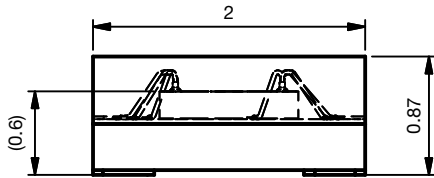
REFRESH TIME DETERMINATION OF PSM

VEML6030's refresh time can be determined by PSM and ALS\_IT setting in power saving mode (PSM). Cooperating with the command register setting, the designer has a flexible method in defining the timing, power consumption, and sensitivity for light data collection.

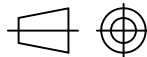
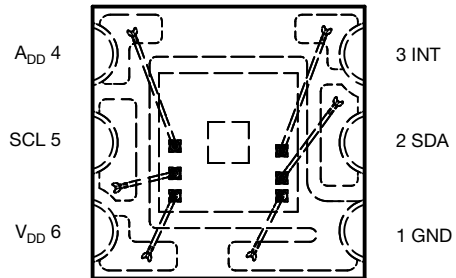
REFRESH TIME, I <sub>DD</sub> , AND RESOLUTION RELATION					
ALS_GAIN	PSM	ALS_IT	REFRESH TIME (ms)	I <sub>DD</sub> (μA)	RESOLUTION (lx/bit)
01	00	0000	600	8	0.0288
01	01	0000	1100	5	0.0288
01	10	0000	2100	3	0.0288
01	11	0000	4100	2	0.0288
01	00	0001	700	13	0.0144
01	01	0001	1200	8	0.0144
01	10	0001	2200	5	0.0144
01	11	0001	4200	3	0.0144
01	00	0010	900	20	0.0072
01	01	0010	1400	13	0.0072
01	10	0010	2400	8	0.0072
01	11	0010	4400	5	0.0072
01	00	0011	1300	28	0.0036
01	01	0011	1800	20	0.0036
01	10	0011	2800	13	0.0036
01	11	0011	4800	8	0.0036



PACKAGE DIMENSIONS in millimeters

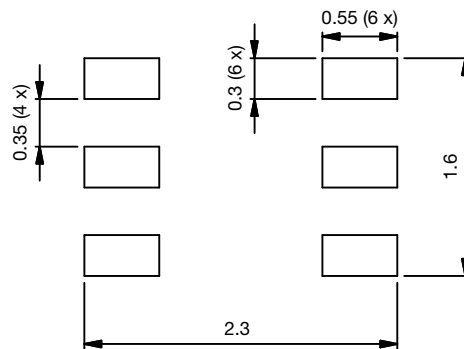
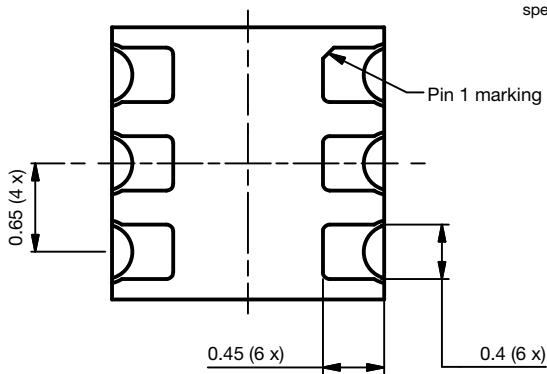


Top View Pinning



Technical drawings according to DIN specification

Recommended Footprint



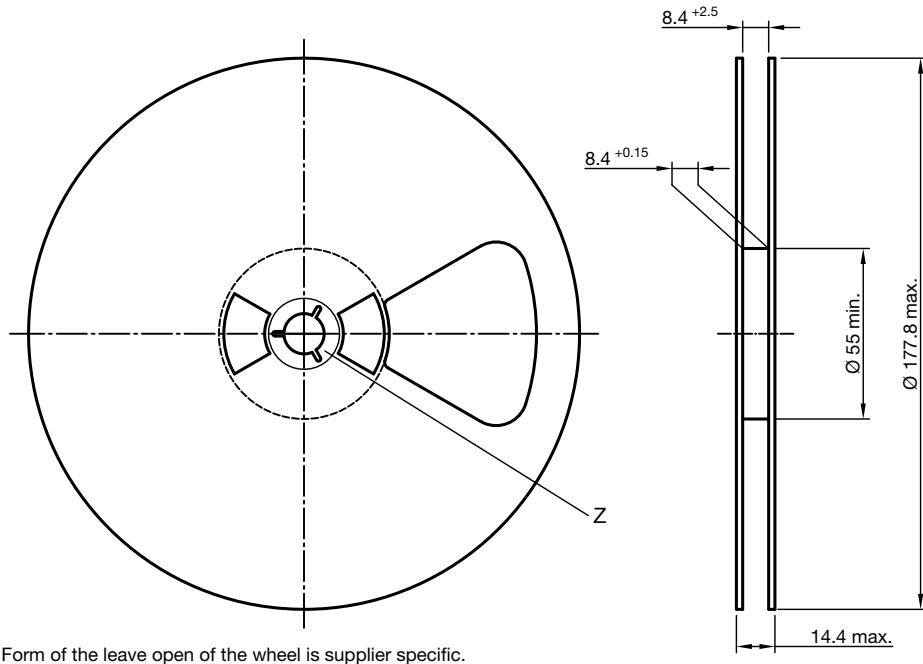
Drawing No.: 6.550-5348.01-4

Issue: 1; 19.02.16

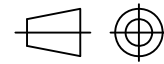
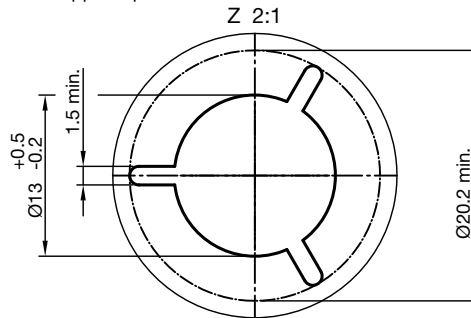
Not indicated tolerances ± 0.1



TAPE AND REEL DIMENSIONS in millimeters



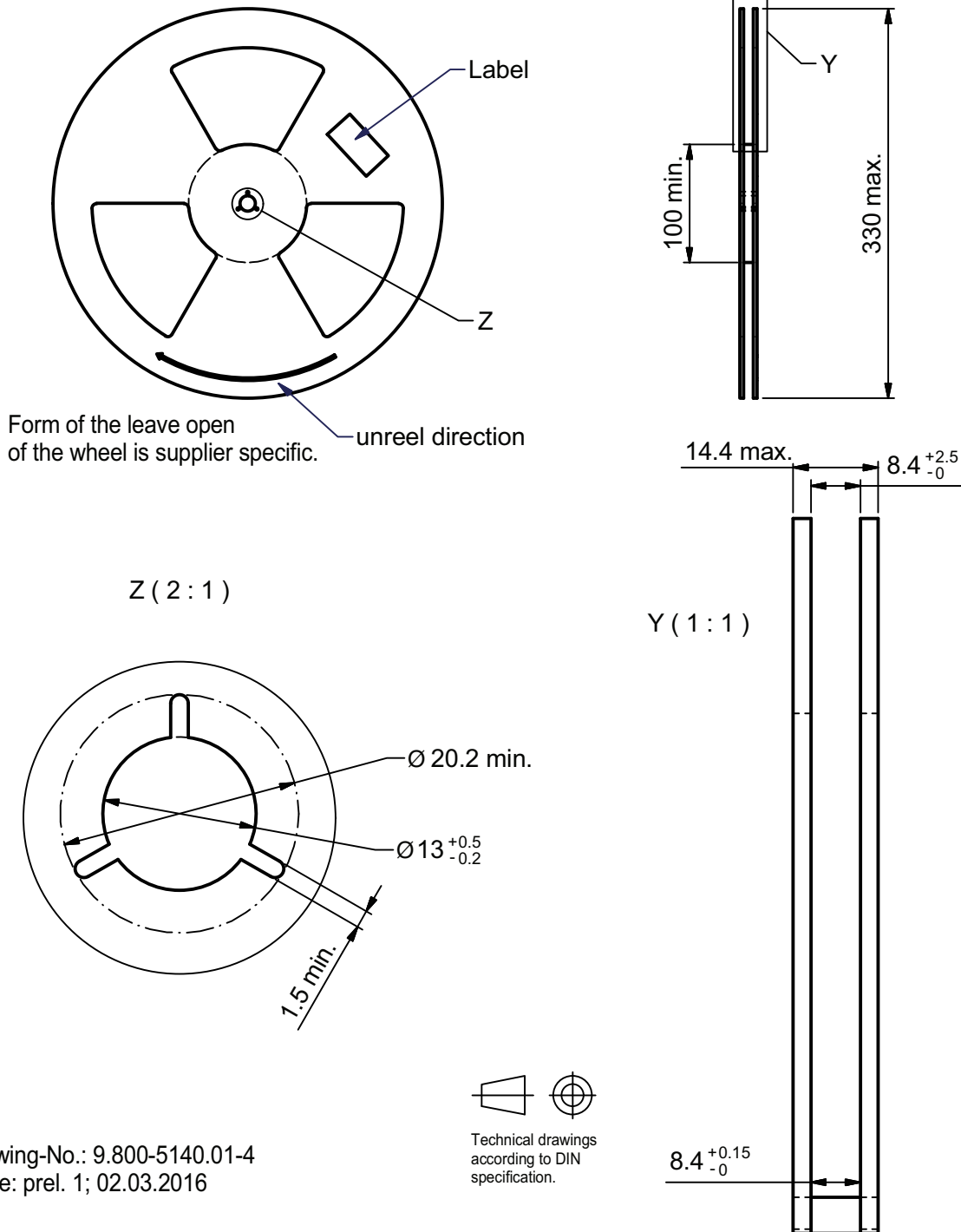
Form of the leave open of the wheel is supplier specific.



Technical drawings according to DIN specification.

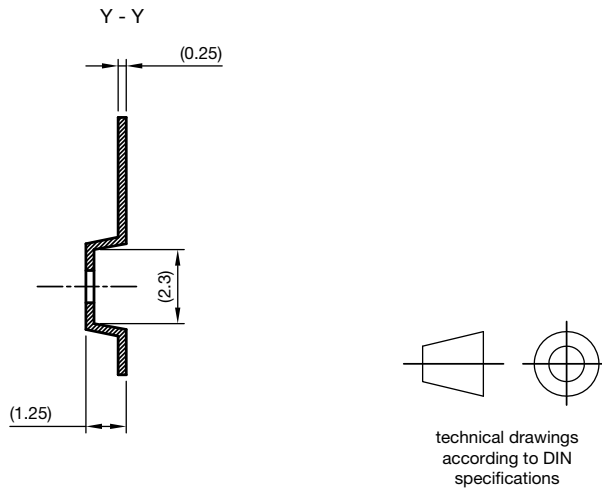
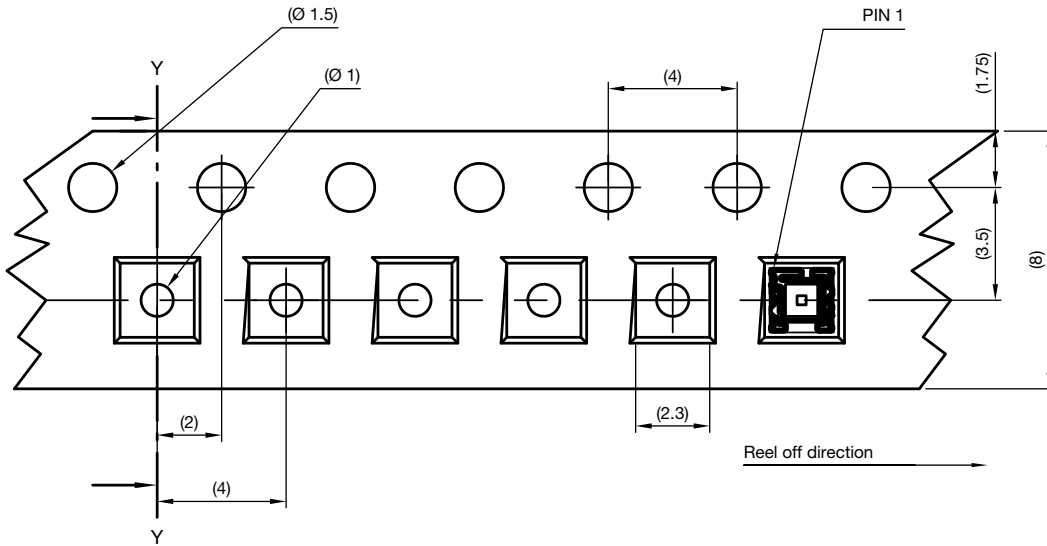
Drawing-No.: 9.800-5096.01-4  
Issue: 5; 20.12.2016

Fig. 11 - 7" Reel, 3000 Pieces



Drawing-No.: 9.800-5140.01-4  
Issue: prel. 1; 02.03.2016

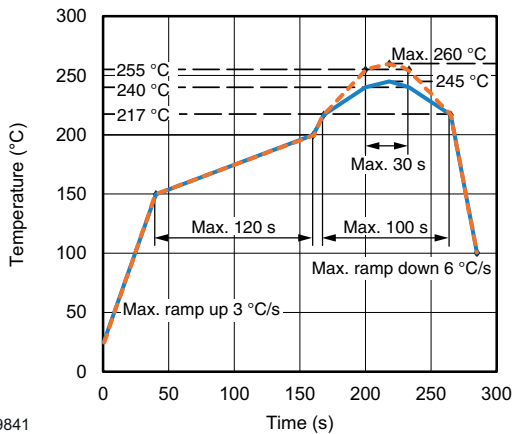
Fig. 12 - 13" Reel, 10 000 Pieces



Drawing-No.: 9.700-5397.01-4  
Issue: 1; 19.02.16

Fig. 13 - Taping

**REFLOW SOLDER PROFILE**



19841

Fig. 14 - Lead (Pb)-free Reflow Solder Profile  
According to J-STD-020

**DRYPACK**

Devices are packed in moisture barrier bags (MBB) to prevent the products from moisture absorption during transportation and storage. Each bag contains a desiccant.

**FLOOR LIFE**

Floor life (time between soldering and removing from MBB) must not exceed the time indicated on MBB label:

Floor life: 72 h

Conditions:  $T_{amb} < 30\text{ }^{\circ}\text{C}$ ,  $\text{RH} < 60\%$

Moisture sensitivity level 4, according to J-STD-020.

**DRYING**

In case of moisture absorption devices should be baked before soldering. Conditions see J-STD-020 or label. Devices taped on reel dry using recommended conditions 192 h at  $40\text{ }^{\circ}\text{C}$  ( $+ 5\text{ }^{\circ}\text{C}$ ),  $\text{RH} < 5\%$ .



## Disclaimer

ALL PRODUCT, PRODUCT SPECIFICATIONS AND DATA ARE SUBJECT TO CHANGE WITHOUT NOTICE TO IMPROVE RELIABILITY, FUNCTION OR DESIGN OR OTHERWISE.

Vishay Intertechnology, Inc., its affiliates, agents, and employees, and all persons acting on its or their behalf (collectively, "Vishay"), disclaim any and all liability for any errors, inaccuracies or incompleteness contained in any datasheet or in any other disclosure relating to any product.

Vishay makes no warranty, representation or guarantee regarding the suitability of the products for any particular purpose or the continuing production of any product. To the maximum extent permitted by applicable law, Vishay disclaims (i) any and all liability arising out of the application or use of any product, (ii) any and all liability, including without limitation special, consequential or incidental damages, and (iii) any and all implied warranties, including warranties of fitness for particular purpose, non-infringement and merchantability.

Statements regarding the suitability of products for certain types of applications are based on Vishay's knowledge of typical requirements that are often placed on Vishay products in generic applications. Such statements are not binding statements about the suitability of products for a particular application. It is the customer's responsibility to validate that a particular product with the properties described in the product specification is suitable for use in a particular application. Parameters provided in datasheets and / or specifications may vary in different applications and performance may vary over time. All operating parameters, including typical parameters, must be validated for each customer application by the customer's technical experts. Product specifications do not expand or otherwise modify Vishay's terms and conditions of purchase, including but not limited to the warranty expressed therein.

Hyperlinks included in this datasheet may direct users to third-party websites. These links are provided as a convenience and for informational purposes only. Inclusion of these hyperlinks does not constitute an endorsement or an approval by Vishay of any of the products, services or opinions of the corporation, organization or individual associated with the third-party website. Vishay disclaims any and all liability and bears no responsibility for the accuracy, legality or content of the third-party website or for that of subsequent links.

Except as expressly indicated in writing, Vishay products are not designed for use in medical, life-saving, or life-sustaining applications or for any other application in which the failure of the Vishay product could result in personal injury or death. Customers using or selling Vishay products not expressly indicated for use in such applications do so at their own risk. Please contact authorized Vishay personnel to obtain written terms and conditions regarding products designed for such applications.

No license, express or implied, by estoppel or otherwise, to any intellectual property rights is granted by this document or by any conduct of Vishay. Product names and markings noted herein may be trademarks of their respective owners.